



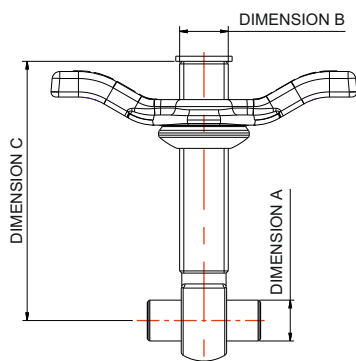
Shown: Swingbolt assemblies with standard handnuts

We supply a range of swingbolt assemblies with different eyebolt lengths and handnut types. Please contact us for help with part numbers and to order parts.

A complete swingbolt assembly includes the eyebolt, the pivot pin (attached with a set screw) and the handnut with a captivating washer. You can also buy each component separately.

For Safebolt assemblies, please refer to data sheet SPA065 or contact us for more information.

Standard Swingbolt Assemblies



Specification

Standard eyebolt options

Ø eye: Dimension A - 16mm

Thread: Dimension B - 3/4" BSW

Length: Dimension C - from 49.3mm to 175.3mm

NOTE: Length is measured from the centre of the eye to the end of the bolt

Material: stainless steel

Special eyebolt options

Ø eye: Dimension A - 3/4"

Standard handnut options

Low profile stainless steel

Low profile naval brass with stainless steel thrust washer

Extended stainless steel with anti-galling brass thread

Special handnut options

Extended stainless steel

Low profile stainless steel with anti-galling brass thread

Hexagonal stainless steel nut

Range

Standard Ø16mm Eye Swingbolt Assemblies

Includes 3/4" BSW bolt with 16mm pivot pin, and captivated handnut.

NOTE: The eyebolt length changes the part no.

Part No.	Handnut Type	Material
496/0XXX	Hex nut	Stainless steel
496/1XXX	Low profile	Brass with st/st thrust washer
496/5XXX	Low profile	Stainless steel
496/8XXX	Extended	Stainless steel
496/CXXX	Extended anti-galling	Stainless steel with brass thread insert
496/EXXX	Low profile anti-galling	Stainless steel with brass thread insert

Range

Special Ø3/4" Eye Swingbolt Assemblies

Includes 3/4" BSW bolt with 3/4" pivot pin, and captivated handnut.

Eyebolt Length (Dimension C)	Stainless Steel Handnut		Naval Brass Handnut
	mm	inches	
66	2.60	495/1005	495/1081
87	3.42	495/1015	495/1060
95	3.75	495/1059	495/1055
120.7	4.75	495/0210	-

Related Parts

Description	Part No.
Eyebolt pivot pin Ø16 x 45mm long	10913SS
Eyebolt pivot pin Ø3/4" x 1.82" long	10911SS
Manlid/neckring hinge pin assembly, includes pin, washers & nyloc nuts	600/1060
Handnut torque increase tool, compatible with low profile handnuts	495/10T0