



## Specification

**Nominal size**  
80mm

**Body type**  
Clamped

**Properties**  
In-line spindle and closure plate  
Left hand operated, handle with TIR and padlock slots

**Materials**  
Contact parts: PFA lined

Alternatives are available, refer to the Design Options page

## Design Conditions

Weight: 3.7 Kg  
 Design Pressure (MAWP): 4 Bar  
 Test Pressure: 6 Bar  
 Design Temperature Min: -40°C  
 Design Temperature Max: 200°C

**NOTE:** The Design Conditions and Section View dimensions are for the specified part number only.

**Design Code**  
BS EN 14432

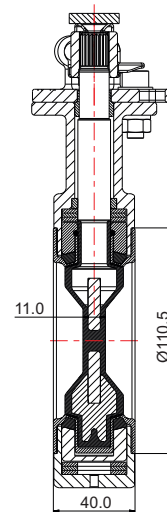
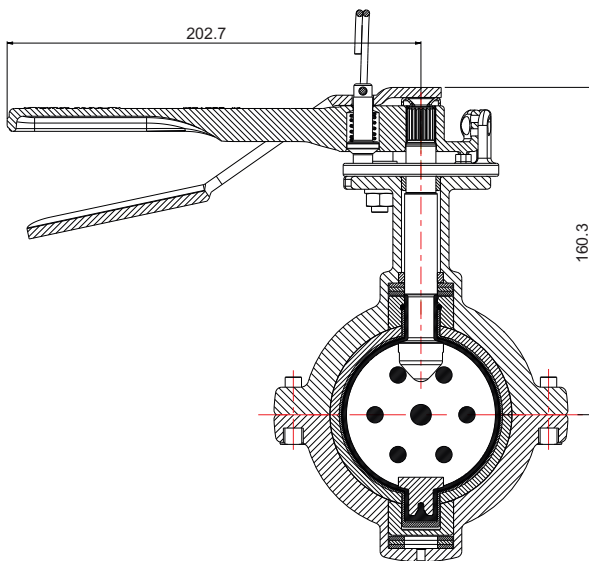
## Range

Description	Part No.
2" clamped PFA lined butterfly valve	258/P700
3" clamped PFA lined butterfly valve	358/P700

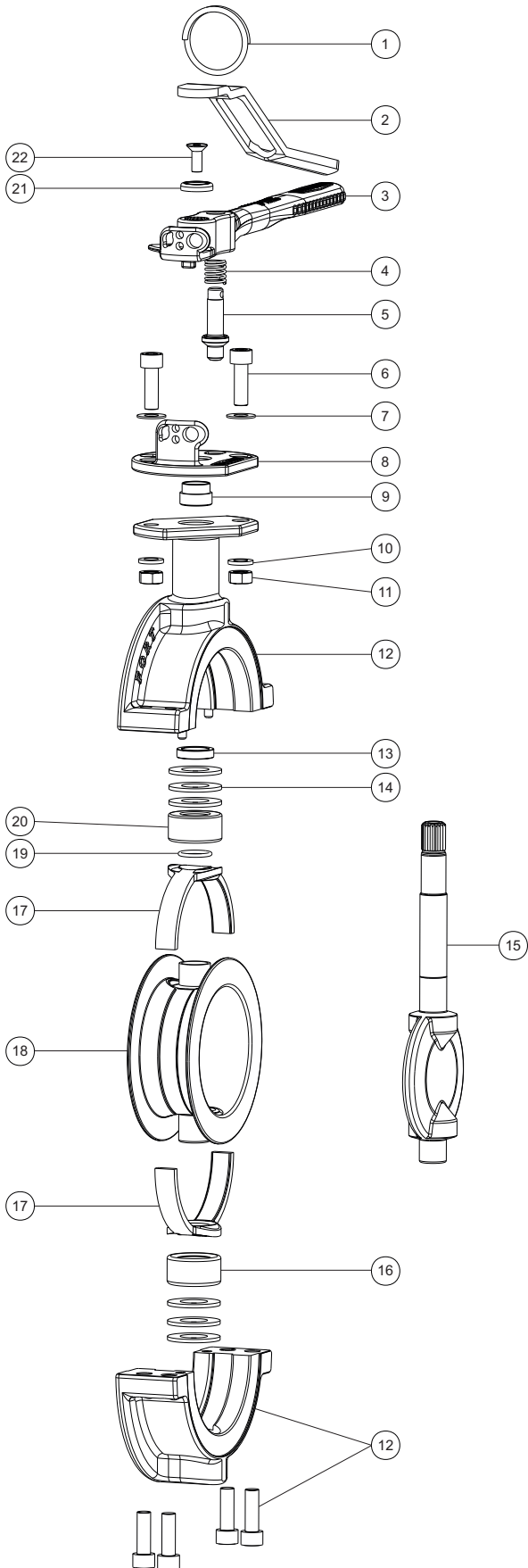
## Related Parts

Description	Part No.
3" BSP outlet flange - Halar lined	368/8047L
3" BSP cap with chain	10303SS
PTFE disc seal for 3" cap	10329P/1

## Section View



## Parts Drawing



## Parts List

Item	Description	Part No.
1	Split ring	368/0011
2	Handle lever	368/9837
3	Handle	368/0050
4	Handle spring	368/0012
5	Handle location pin	368/0010
6	M8 cap screw (2)	5111-148
7	M8 plain washer (2)	5113-005
8	Stuffing clamp	368/0040
9	Stuffing clamp bush	368/0301
10	M8 spring washer (2)	5113-003
11	M8 full nut (2)	5112-001
12	Body assembly	358/P253
13	Top guide bush	358/P236
14	Belleville washer (6)	5113-052
15	PFA lined spindle/closure plate	358/P235
16	Bottom thrust ring	358/P233/1
17	Backing rubber (2)	358/P257
18	PFA body seal	358/P250
19	Perfluoroelastomer O ring	5005-216PER
20	Stem seal housing	358/P233
21	Retaining washer	20370
22	M6 countersunk bolt	5111-030