

## Specification

### Nominal size

DN80

### Tank connection

Flanged: 8 x 18mm holes on a 160mm PCD

### Outlet/Process connection

Flanged: 8 x 18mm holes on a 160mm PCD

### Options

Fire safe specification or lethal service specification - refer to Design Conditions: NOTE

Left or right hand operation

### Materials

Contact parts: 316 stainless steel

Main seal: TFM PTFE

## Design Conditions

Weight:	17.0 Kg
Design Pressure (MAWP):	16 Bar
Test Pressure:	29.4 Bar
Design Temperature Min:	-40°C
Design Temperature Max:	205°C

**NOTE:** The fire safe specification ball valve is not compatible with lethal service conditions. The lethal service specification ball valve is compatible with fire safe and lethal service conditions.

### Design Codes

BS EN14432, EN12516-2, EN10497  
API 607

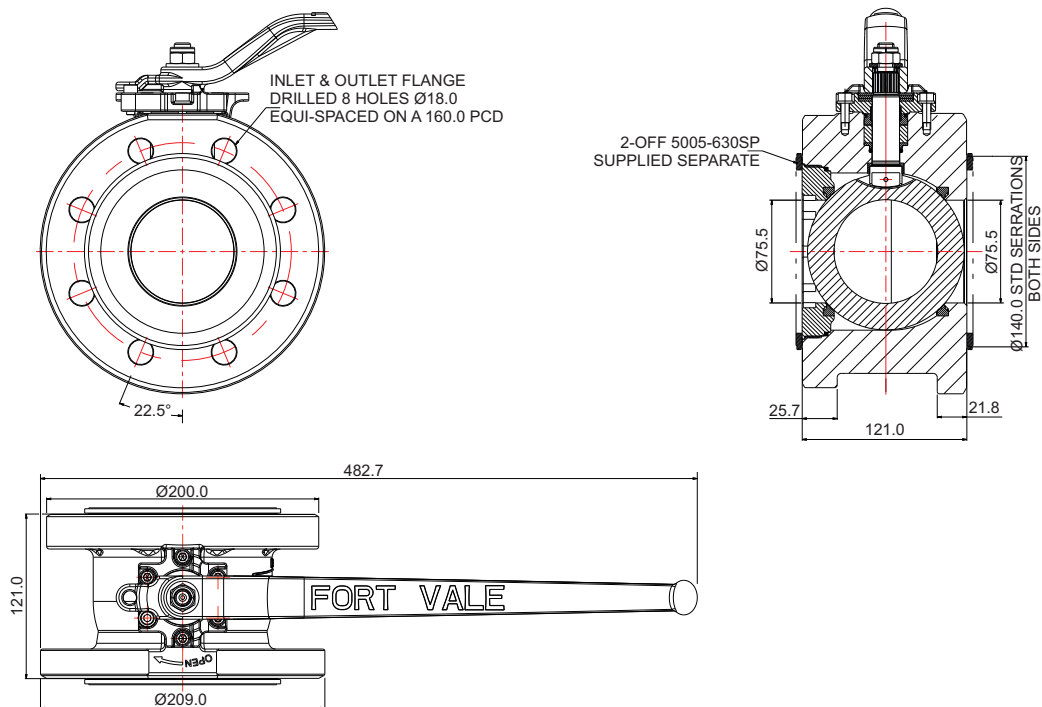
## Range

Description	Part No.
3" fire safe valve, left hand	360/5000FSL
3" fire safe valve, right hand	360/5000FSR
3" fire safe/lethal service valve, left hand	360/5000LSL
3" fire safe/lethal service valve, right hand	360/5000LSR

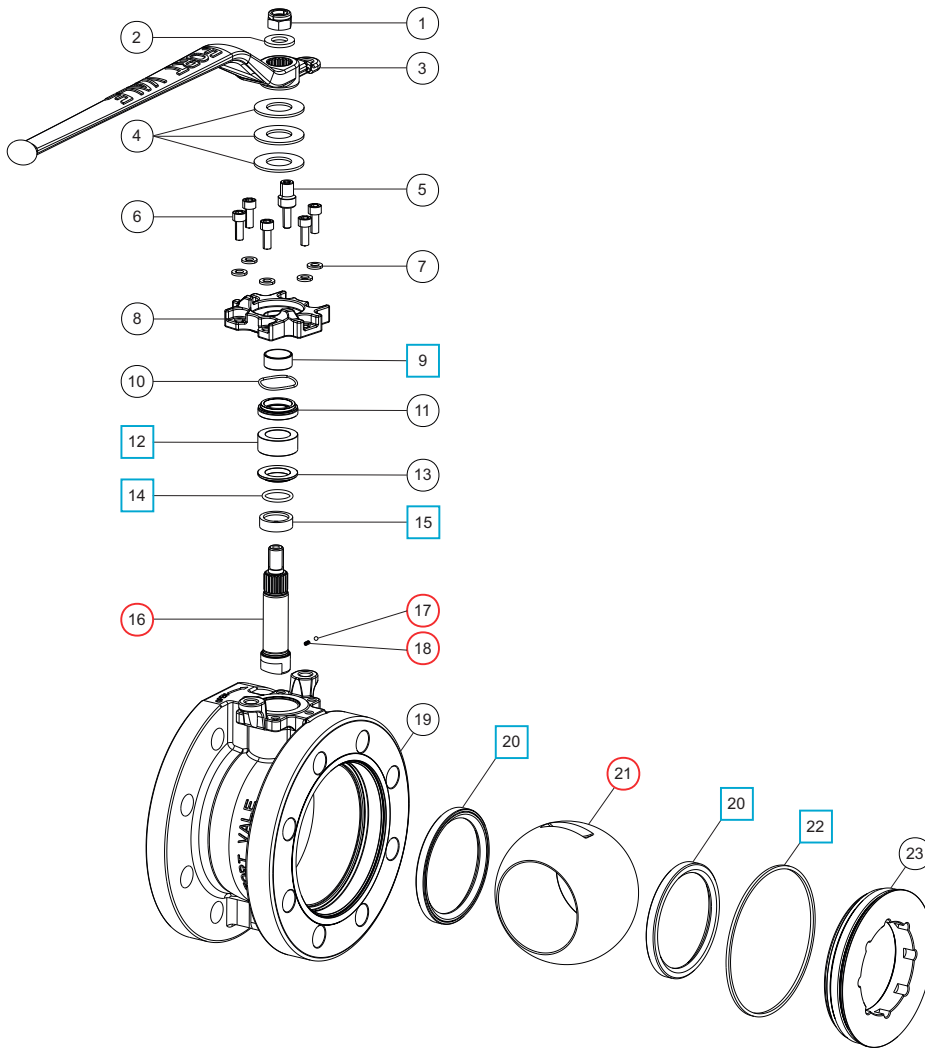
## Related Parts

Description	Part No.
Stainless steel/graphite spiral wound gasket: 3" ball valve inlet and outlet	5005-630SP

## Section View



## Parts Drawing



## Parts List

Item	Description	Part No.
1	M12 locking nut <b>*Note</b>	5112-007-XX
2	M12 washer	5123-003
3	Handle	360/3416FS
4	20mm Belleville washer (3)	5113-041
5	Stop bolt	360/5007
6	M6 cap screw (5) <b>*Note</b>	5111-015-XX
7	M6 spring washer (5)	5113-008
8	Retaining gland <b>*Note</b>	360/5005XX
9	Bearing bush	360/0182 <span style="color: blue;">□</span> <span style="color: red;">○</span>
10	Wave spring	360/3351
11	Stuffing gland	360/0180
12	Gland seal	360/3353 <span style="color: blue;">□</span> <span style="color: red;">○</span>
13	Stuffing gland	360/0181
14	Perfluoroelastomer O ring	5005-928HT <span style="color: blue;">□</span> <span style="color: red;">○</span>
15	Bearing bush	360/3421FS <span style="color: blue;">□</span> <span style="color: red;">○</span>
16	Spindle	360/3422FS <span style="color: red;">○</span>
17	3mm ball	10154SS <span style="color: red;">○</span>

## Parts List

Item	Description	Part No.
18	Plunger spring	370-3469 <span style="color: red;">○</span>
19	3" ball valve body <b>*Note</b>	360/5014XX
20	TFM PTFE ball seal (2)	360/3402FS <span style="color: blue;">□</span> <span style="color: red;">○</span>
21	Ball <b>*Note</b>	360/3401XX <span style="color: red;">○</span>
22	Body seal	360/0106GR <span style="color: blue;">□</span> <span style="color: red;">○</span>
23	Seal retainer	360/0176/2

**NOTE:** The valve specification changes the part number

## Seal Kit - All parts marked □ in the Parts List

Description	Part No.
For fire safe & lethal service valves	360/50LSK

## Repair Kit - All parts marked ○ in the Parts List

Description	Part No.
For fire safe valves only	360/50FRK
For lethal service valves only	360/50LRK