

## Specification

### Nominal size

DN50

### Tank connection

Flanged: 8 x 19mm holes on a 127mm PCD

### Outlet/Process connection

Flanged: 8 x 19mm holes on a 127mm PCD

### Properties

Refer to Design Conditions: NOTE

### Options

Left or right hand operation

### Materials

Contact parts: 316 stainless steel

Main seal: TFM PTFE

## Design Conditions

Weight:	10.3 Kg
Design Pressure (MAWP):	16 Bar
Test Pressure:	29.2 Bar
Design Temperature Min:	-40°C
Design Temperature Max:	205°C

**NOTE:** This lethal service specification ball valve is compatible with fire safe and lethal service conditions.

### Design Codes

BS EN14432, EN12516-2, EN10497  
API 607

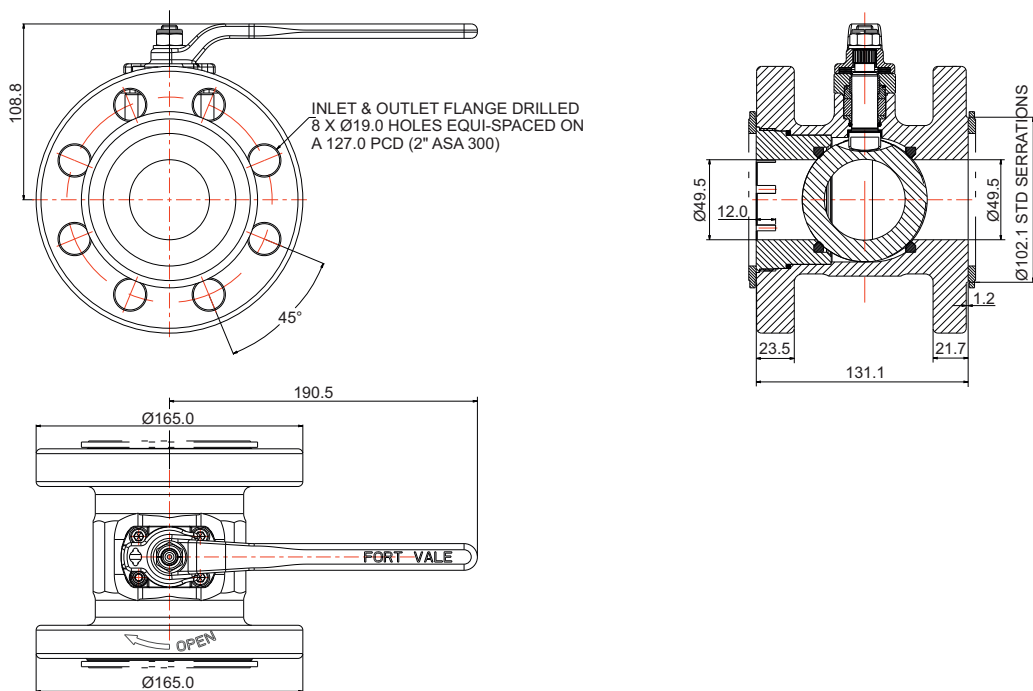
## Range

Description	Part No.
2" fire safe/lethal service valve, left hand	370/5000LSL
2" fire safe/lethal service valve, right hand	370/5000LSR

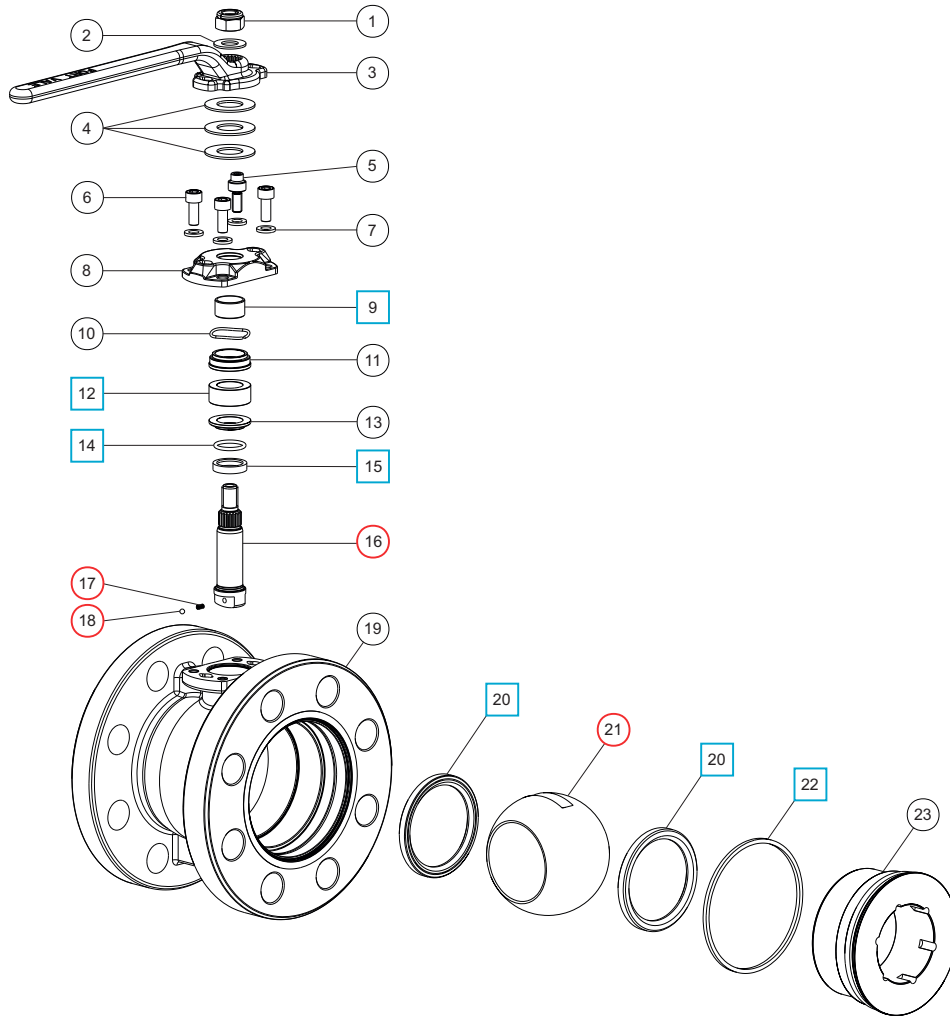
## Related Parts

Description	Part No.
Stainless steel/graphite spiral wound gasket: 2" ball valve inlet and outlet	5005-724SP

## Section View



## Parts Drawing



## Parts List

Item	Description	Part No.
1	M10 locking nut <b>*Note</b>	5112-008-XX
2	M10 washer	5113-009
3	Handle	370/0125
4	16mm Belleville washer (3)	5113-038
5	Stop pin <b>*Note</b>	370/3442-XX
6	M6 cap screw (3) <b>*Note</b>	5111-108-XX
7	M6 spring washer (4)	5113-008
8	Retaining gland <b>*Note</b>	370/3449XX
9	Bearing bush	370/3443 <span style="color: blue;">□</span> <span style="color: red;">○</span>
10	Wave spring	370/3457
11	Stuffing gland	370/3458
12	Gland seal	370/3353 <span style="color: blue;">□</span> <span style="color: red;">○</span>
13	Stuffing gland	370/3459
14	Perfluoroelastomer O ring	5005-216PER <span style="color: blue;">□</span> <span style="color: red;">○</span>
15	Bottom bearing	370/0104FS <span style="color: blue;">□</span> <span style="color: red;">○</span>
16	Spindle	370/0120FS <span style="color: red;">○</span>
17	Plunger spring	370-3469 <span style="color: red;">○</span>

## Parts List

Item	Description	Part No.
18	3mm ball	10154SS <span style="color: red;">○</span>
19	2" ball valve body <b>*Note</b>	370/5001XXX
20	TFM PTFE ball seal (2)	370/0102FS <span style="color: blue;">□</span> <span style="color: red;">○</span>
21	Ball <b>*Note</b>	370/3301XX <span style="color: red;">○</span>
22	Body seal	370/0106GR <span style="color: blue;">□</span> <span style="color: red;">○</span>
23	Seal retainer	370/5103

**NOTE:** The valve specification changes the part number

**Seal Kit** - All parts marked □ in the Parts List

Description	Part No.
For fire safe & lethal service valves	370/50LSK

**Repair Kit** - All parts marked ○ in the Parts List

Description	Part No.
For fire safe valves only	370/50FRK
For lethal service valves only	370/50LRK