

Specification

Nominal size

DN50

Tank connection

Flanged: 4 x 18mm holes on a 125mm PCD

Outlet/Process connection

Flanged: 4 x 18mm holes on a 125mm PCD

Properties

Refer to Design Conditions: NOTE

Options

Left or right hand operation

Materials

Contact parts: 316 stainless steel

Main seal: TFM PTFE

Design Conditions

Weight:	7.64 Kg
Design Pressure (MAWP):	16 Bar
Test Pressure:	29.4 Bar
Design Temperature Min:	-40°C
Design Temperature Max:	205°C

NOTE: This fire safe specification ball valve is not compatible with lethal service conditions.

Design Codes

BS EN14432, EN12516-2, EN10497
API 607

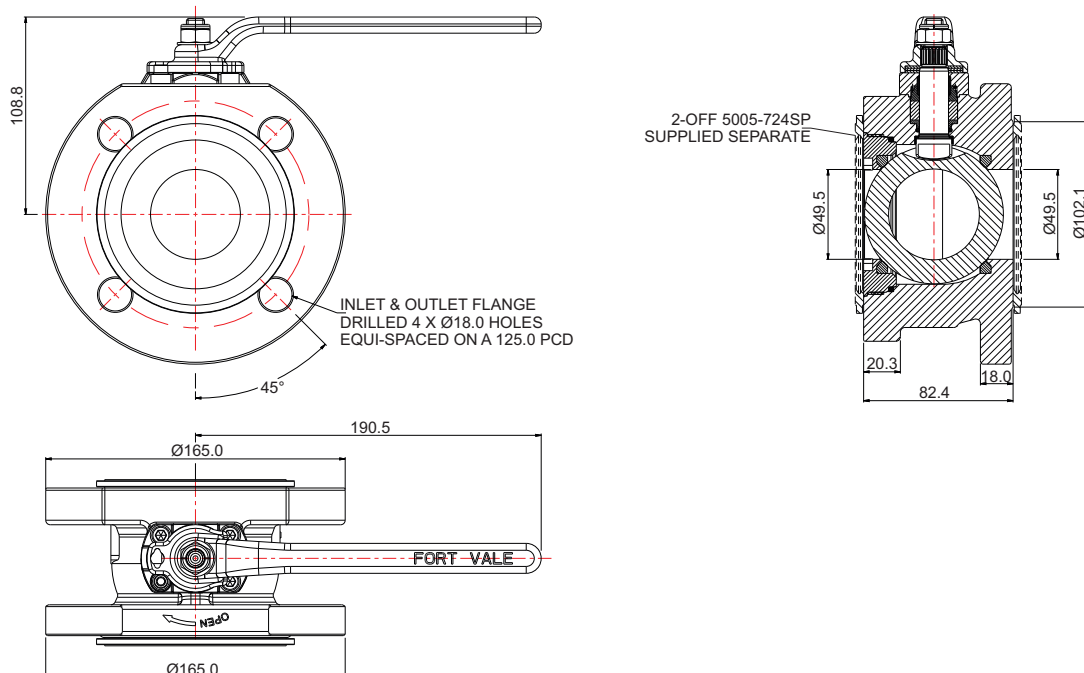
Range

Description	Part No.
2" fire safe valve, left hand	370/0100FSL
2" fire safe valve, right hand	370/0100FSR

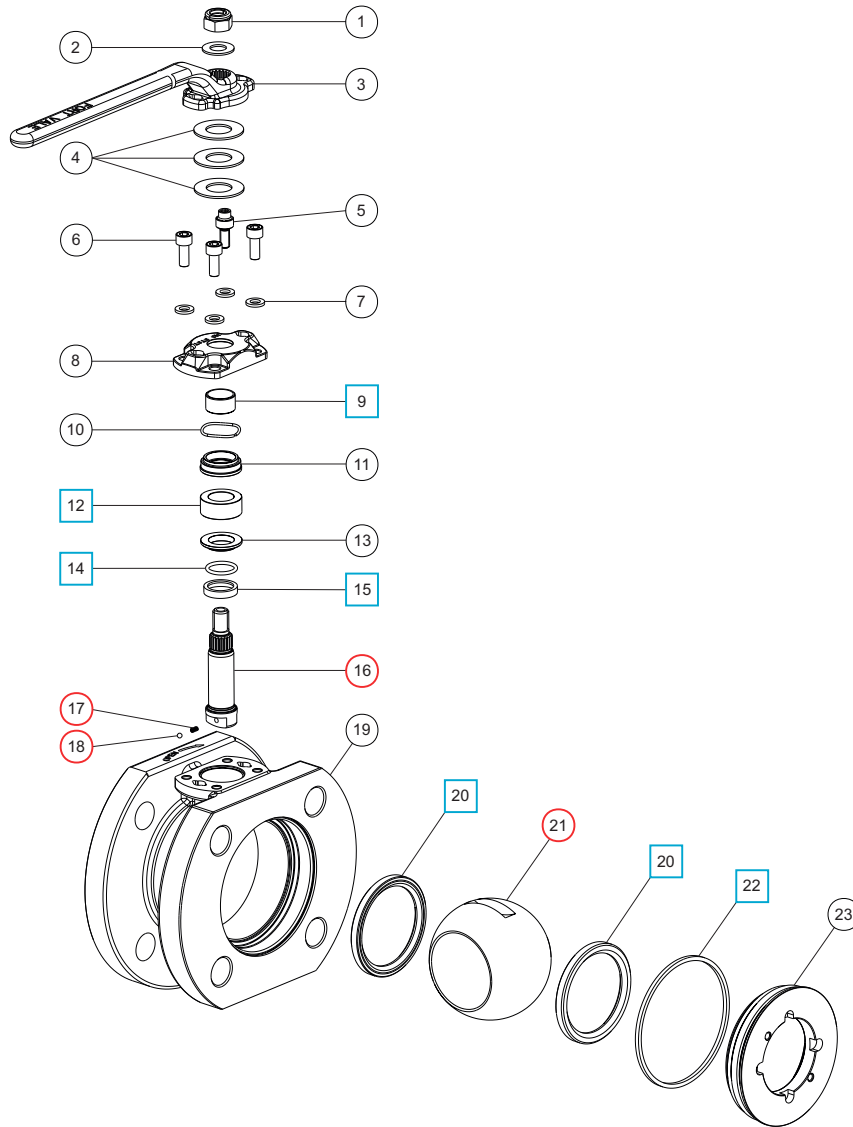
Related Parts

Description	Part No.
Stainless steel/graphite spiral wound gasket: 2" ball valve inlet and outlet	5005-724SP

Section View



Parts Drawing



Parts List

Item	Description	Part No.
1	M10 locking nut	5112-008
2	M10 washer	5113-009
3	Handle	370/0125
4	16mm Belleville washer (3)	5113-038
5	Stop pin	370/3442
6	M6 cap screw (3)	5111-108
7	M6 spring washer (4)	5113-008
8	Retaining gland	370/3449
9	Bearing bush	370/3443 □ ○
10	Wave spring	370/3457
11	Stuffing gland	370/3458
12	Gland seal	370/3353 □ ○
13	Stuffing gland	370/3459
14	Perfluoroelastomer O ring	5005-216PER □ ○
15	Bottom bearing	370/0104FS □ ○
16	Spindle	370/0120FS ○

Parts List

Item	Description	Part No.
17	Plunger spring	370-3469 ○
18	3mm ball	10154SS ○
19	2" ball valve body	370/0110FS
20	TFM PTFE ball seal (2)	370/0102FS □ ○
21	Ball	370/3301 ○
22	Body seal	370/0106GR □ ○
23	Seal retainer	370/0176/2

Seal Kit - All parts marked □ in the Parts List

Description	Part No.
For fire safe & lethal service valves	370/50LSK

Repair Kit - All parts marked ○ in the Parts List

Description	Part No.
For fire safe valves only	370/50FRK