



Specification

Nominal size

80mm

Tank connection

Flanged: 4 x 18mm holes on a 160mm PCD

Outlet/Process connection

Flanged: 4 x 18mm slots on a 146-160mm PCD

Options

Left hand operated, right hand operated

Finish: Corrosion-resistant paint on external surfaces to prevent damage from corrosive cargo vapour/splash

Materials

Contact parts: PFA lined

Main seal: PTFE

Refer to Range for other PFA Lined Ball Valves

Alternatives are available, refer to the Design Options page

Design Conditions

Weight:	12.6 Kg
Design Pressure (MAWP):	6.9 Bar
Test Pressure:	10.34 Bar
Design Temperature Min:	-40°C
Design Temperature Max:	130°C

NOTE: The Design Conditions and Section View dimensions are for the specified part number only.

Design Codes

BS EN14432
RID

Range

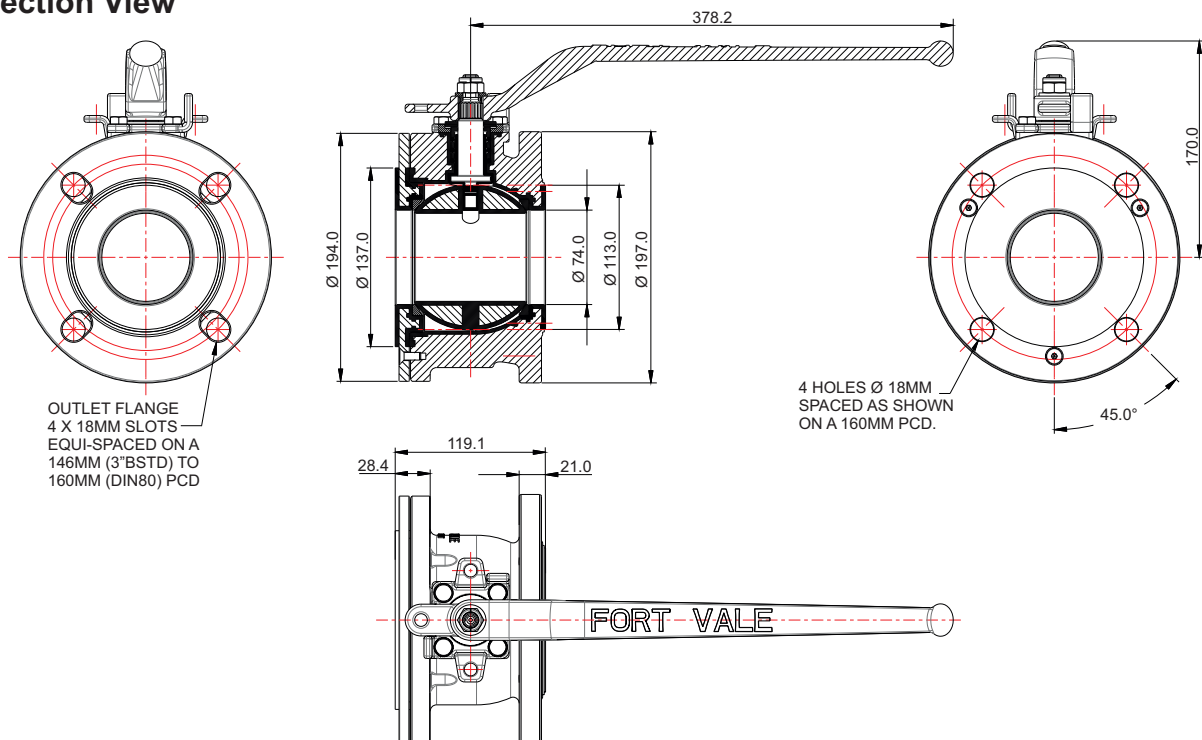
Description	Part No.
25mm reduced bore ball valve PFA lined	530/P100
50mm full bore ball valve PFA lined	370/P200
80mm full bore ball valve PFA lined	360/P030X *

*The part number changes for left or right hand operated

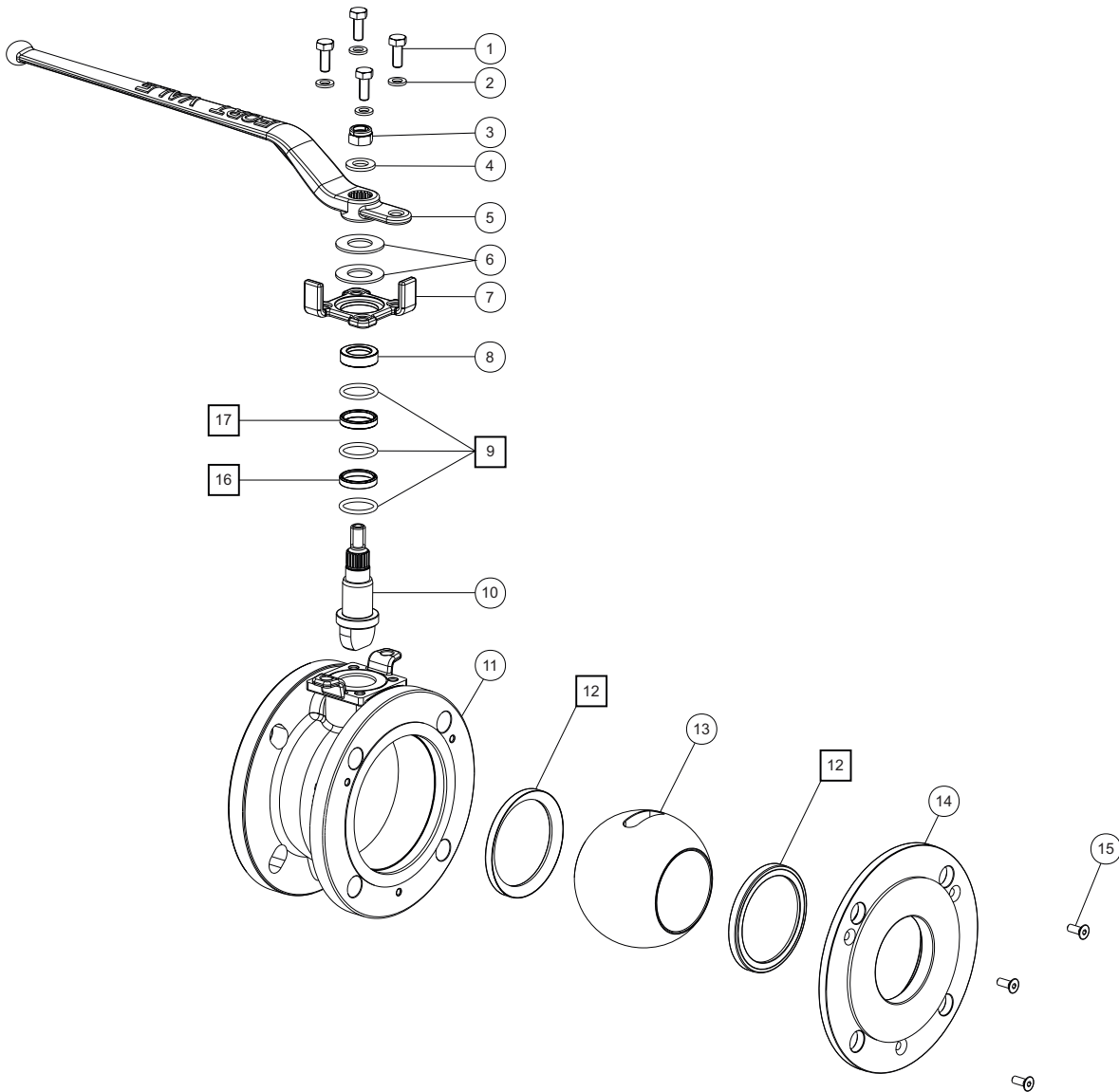
Related Parts

Description	Part No.
3" BSP PFA lined outlet flange	SP368/8047P
Solid PTFE outlet gasket	5005-417

Section View



Parts Drawing



Parts List

Item	Description	Part No.
1	M8 hex bolt (4)	5111-046
2	M8 spring washer (4)	5113-003
3	M12 locking nut	5112-007
4	M12 washer	5123-003
5	Handle	360/3416
6	20mm washer (2)	5113-041
7	Clamp plate	360/3406/1
8	Stainless steel stuffing collar	360/3464
9	PTFE O ring (3)	5005-654 <input type="checkbox"/>
10	PFA lined spindle	360/3422PL
11	PFA lined body	360/P020
12	PTFE front & rear seal (2)	360/3402/5 <input type="checkbox"/>
13	PFA coated ball	360/3401PL
14	PFA lined clamp plate	360/3462PL

Parts List

Item	Description	Part No.
15	M6 countersunk bolt (3)	5111-030
16	Bottom stuffing collar	360/3413/1 <input type="checkbox"/>
17	Top stuffing collar	360/3412/1 <input type="checkbox"/>

Seal Kit

Description	Part No.
All parts marked <input type="checkbox"/> in the Parts List	360/P0SK