



Specification

Nominal size

56mm

Inlet connection

1" BSP

Outlet/process connection

56mm

Properties

Fire-safe design. Non-protruding poppet

Selectivity

None as standard. All industry accepted selective positions are available, refer to the Selectivity data sheet

Materials

Contact parts: 316 stainless steel

Poppet O ring: Viton

Alternatives are available, refer to the Design Options page

Design Conditions

Weight:	0.7 Kg
Design Pressure (MAWP):	25 Bar
Test Pressure:	37.5 Bar
Max. Coupling Pressure:	specified by the hose unit
Design Temp. Min/Max:	-40°C / 200°C (metal parts)
Design Temp. Min/Max:	-20°C / 200°C (Viton O ring)

NOTE: The working temperature of the poppet O ring can change the design temperature limits. The Design Conditions and Section View dimensions are for the specified part number only.

Design Code

BS EN 14432

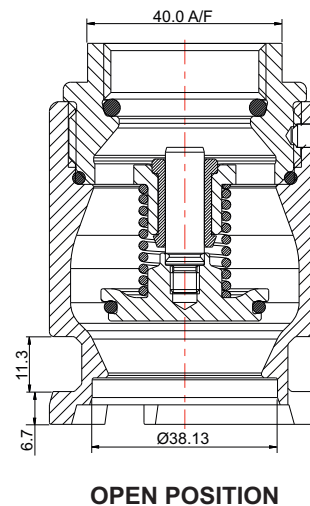
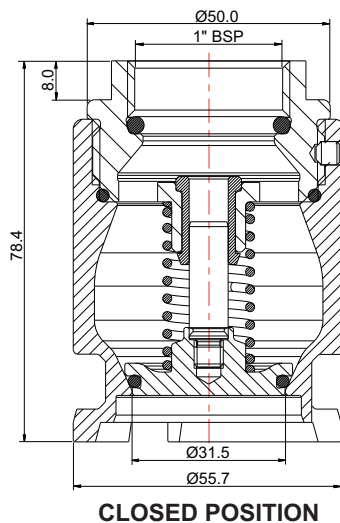
Range

Description	Part No.
1" BSP inlet, Viton seal, no selectivity	376V/B560A00

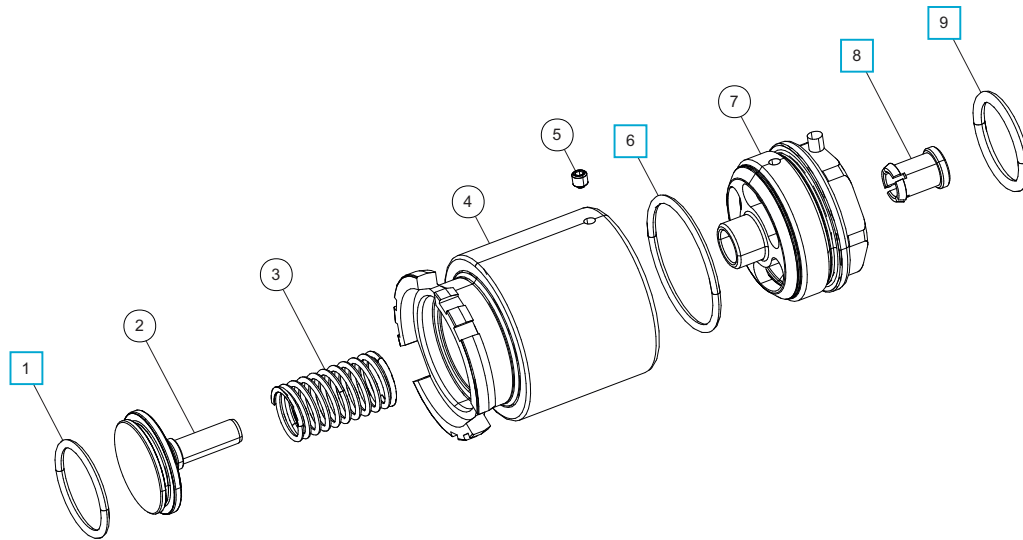
Related Parts

Description	Part No.
56mm pressure-tight cap	915/5410X
56mm/1" BSP hose unit, Viton seal	895V/B560A00

Section View



Parts Drawing



Parts List

Item	Description	Part No.
1	Viton poppet O ring *Note	ORB121V <input type="checkbox"/>
2	Poppet assembly	376/0563
3	Poppet spring	5104-805
4	56mm body (no selectivity) *Note	376/B561A00
5	Sockethead screw	5121-001
6	PTFE O ring	ORB130P0 <input type="checkbox"/>
7	1" BSP body half	376/B566
8	Guide bush	376/0566/1 <input type="checkbox"/>
9	PTFE O ring	ORB215P0 <input type="checkbox"/>

NOTE: The tank unit specification changes the Part No.

Seal Kit

Description	Part No.
All parts marked <input type="checkbox"/> in the Parts List	376X/B560XSK

X = The seal material and inlet type change the Part No.



Specification

Nominal size

70mm

Inlet connection

2" BSP

Outlet/process connection

70mm

Properties

Fire-safe design. Non-protruding poppet

Selectivity

None as standard. All industry accepted selective positions are available, refer to the Selectivity data sheet

Materials

Contact parts: 316 stainless steel

Poppet O ring: Viton

Alternatives are available, refer to the Design Options page

Design Conditions

Weight:	1.2 Kg
Design Pressure (MAWP):	25 Bar
Test Pressure:	37.5 Bar
Max. Coupling Pressure:	specified by the hose unit
Design Temp. Min/Max:	-40°C / 200°C (metal parts)
Design Temp. Min/Max:	-20°C / 200°C (Viton O ring)

NOTE: The working temperature of the poppet O ring can change the design temperature limits. The Design Conditions and Section View dimensions are for the specified part number only.

Design Code

BS EN 14432

Range

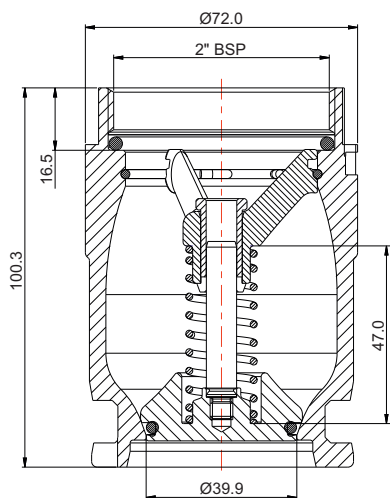
Description	Part No.
2" BSP inlet, Viton seal, no selectivity	376V/B700A00
Flanged inlet, no selectivity *Note	376V/B700X00

NOTE: Different flange specifications are available. Please contact Fort Vale.

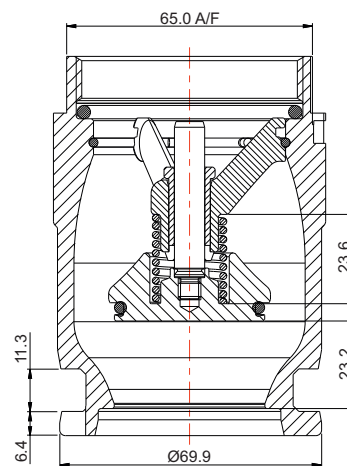
Related Parts

Description	Part No.
70mm pressure-tight cap	915/5420X
70mm/2" BSP hose unit, Viton seal	895V/B700A00
70mm rubber dust cap	915/5172

Section View

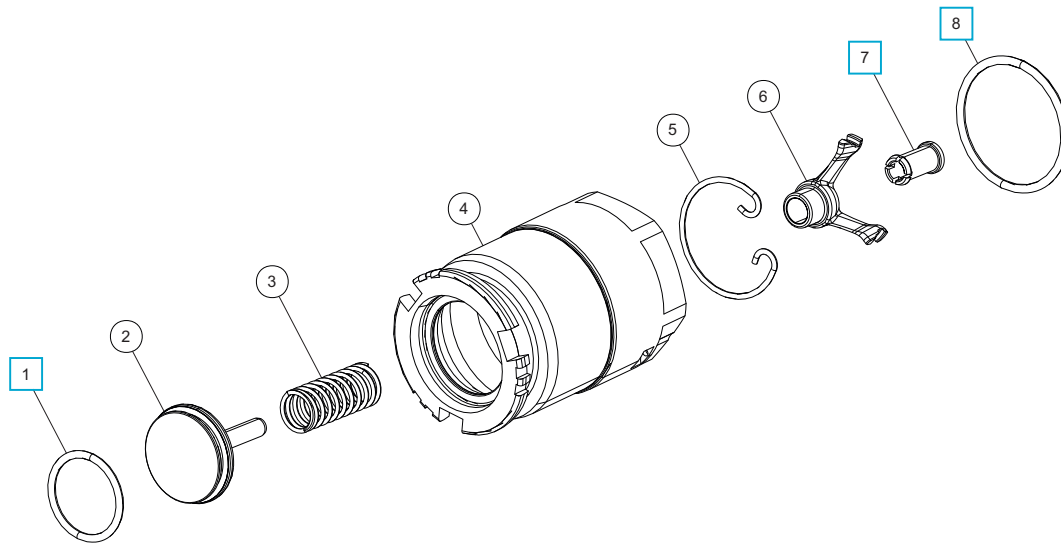


CLOSED POSITION



OPEN POSITION

Parts Drawing



Parts List

Item	Description	Part No.	
1	Viton poppet O ring *Note	5005-171	☐
2	Poppet assembly	376/B703	
3	Poppet spring	5104-800	
4	70mm body (no selectivity) *Note	376/B701A00	
5	Snap ring	5120-081	
6	Spider	376/B702	
7	Guide bush	376/0702/2	☐
8	PTFE O ring	ORB832P0	☐

NOTE: The tank unit specification changes the Part No.

Seal Kit

Description	Part No.
All parts marked ☐ in the Parts List	376X/B700XSK

X = The seal material and inlet type change the Part No.



Specification

Nominal size

105mm

Inlet connection

3" BSP

Outlet/process connection

105mm

Properties

Fire-safe design. Non-protruding poppet

Selectivity

None as standard. All industry accepted selective positions are available, refer to the Selectivity data sheet

Materials

Contact parts: 316 stainless steel

Poppet O ring: Viton

Alternatives are available, refer to the Design Options page

Design Conditions

Weight:	3.3 Kg
Design Pressure (MAWP):	25 Bar
Test Pressure:	37.5 Bar
Max. Coupling Pressure:	specified by the hose unit
Design Temp. Min/Max:	-40°C / 200°C (metal parts)
Design Temp. Min/Max:	-20°C / 200°C (Viton O ring)

NOTE: The working temperature of the poppet O ring can change the design temperature limits. The Design Conditions and Section View dimensions are for the specified part number only.

Design Code

BS EN 14432

Range

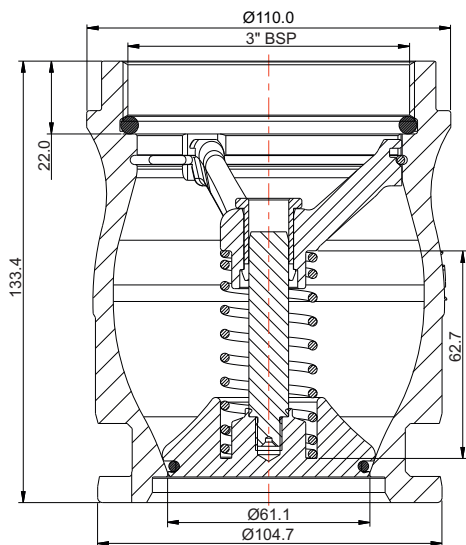
Description	Part No.
3" BSP inlet, Viton seal, no selectivity	376V/B050A00
Flanged inlet, no selectivity *Note	376V/B050X00

NOTE: Different flange specifications are available. Please contact Fort Vale.

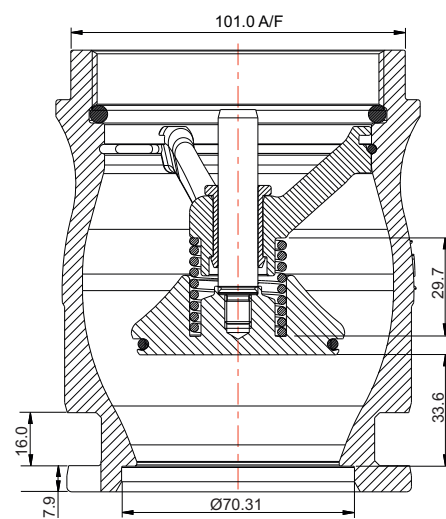
Related Parts

Description	Part No.
105mm pressure-tight cap	915/5480X
105mm/3" BSP hose unit, Viton seal	895V/B105A00

Section View

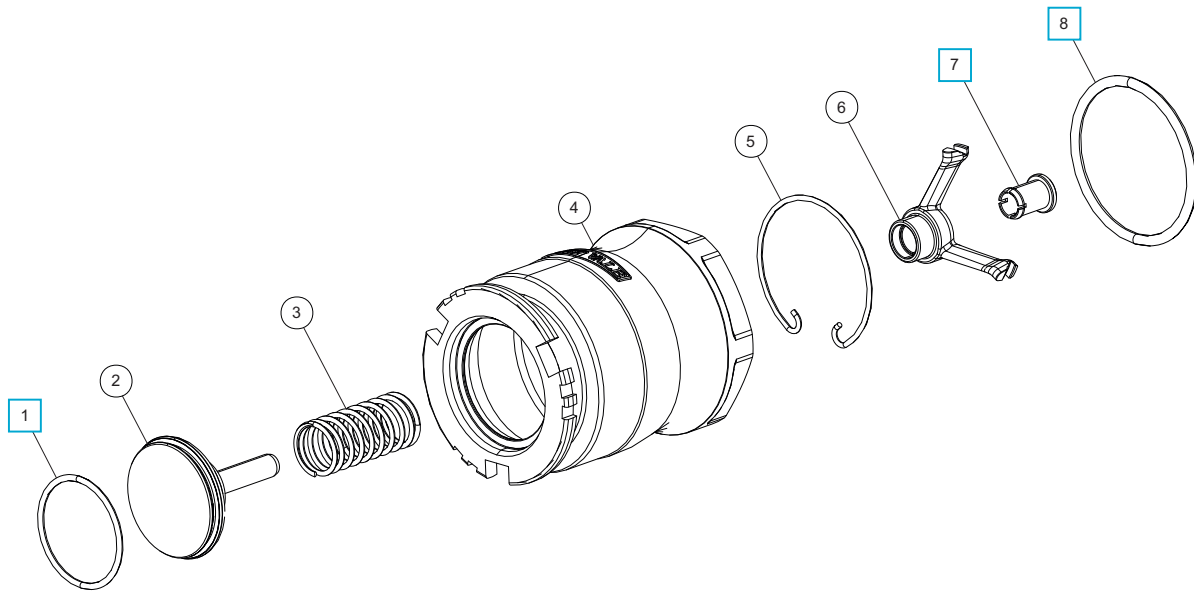


CLOSED POSITION



OPEN POSITION

Parts Drawing



Parts List

Item	Description	Part No.	
1	Viton poppet O ring *Note	5005-156	<input type="checkbox"/>
2	Poppet assembly	376/B153	
3	Poppet spring	5104-799	
4	105mm body (no selectivity) *Note	376/B051A00	
5	Snap ring	5120-082	
6	Spider	376/B192	
7	Guide bush	376/1052/2	<input type="checkbox"/>
8	PTFE O ring	5005-103	<input type="checkbox"/>

NOTE: The tank unit specification changes the Part No.

Seal Kit

Description	Part No.
All parts marked <input type="checkbox"/> in the Parts List	376X/B050XSK

X = The seal material and inlet type change the Part No.



Specification

Nominal size

119mm

Inlet connection

3" BSP

Outlet/process connection

119mm

Properties

Fire-safe design. Non-protruding poppet

Selectivity

None as standard. All industry accepted selective positions are available, refer to the Selectivity data sheet

Materials

Contact parts: 316 stainless steel

Poppet O ring: Viton

Alternatives are available, refer to the Design Options page

Design Conditions

Weight:	3.7 Kg
Design Pressure (MAWP):	25 Bar
Test Pressure:	37.5 Bar
Max. Coupling Pressure:	specified by the hose unit
Design Temp. Min/Max:	-40°C / 200°C (metal parts)
Design Temp. Min/Max:	-20°C / 200°C (Viton O ring)

NOTE: The working temperature of the poppet O ring can change the design temperature limits. The Design Conditions and Section View dimensions are for the specified part number only.

Design Code

BS EN 14432

STANAG 3756 (Edition 4) NATO Standardization Agency

Range

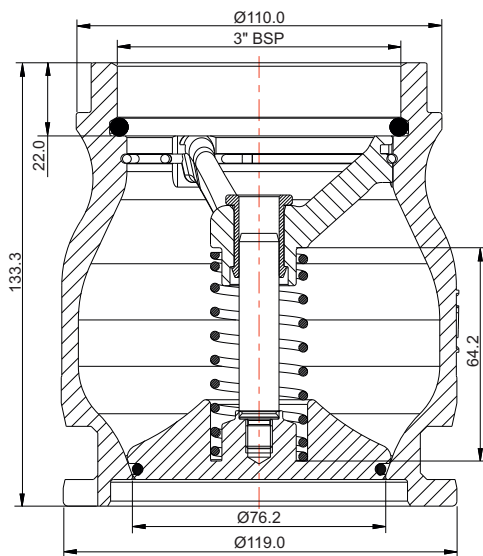
Description	Part No.
3" BSP inlet, Viton seal, no selectivity	376V/B190A00
Flanged inlet, no selectivity *Note	376V/B190X00

NOTE: Different flange specifications are available. Please contact Fort Vale.

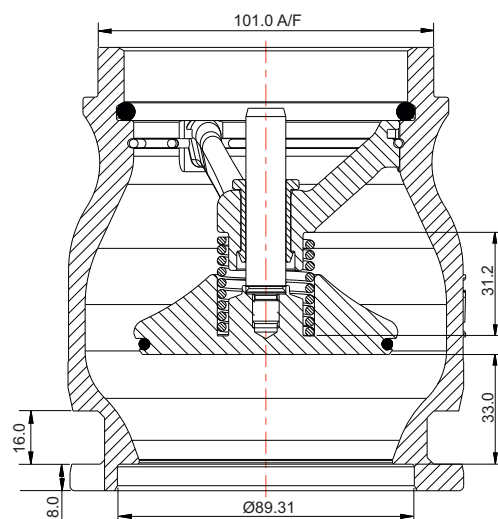
Related Parts

Description	Part No.
119mm pressure-tight cap	915/5470X
119mm/3" BSP hose unit, Viton seal	895V/B190A00
119mm rubber dust cap	915/5175

Section View

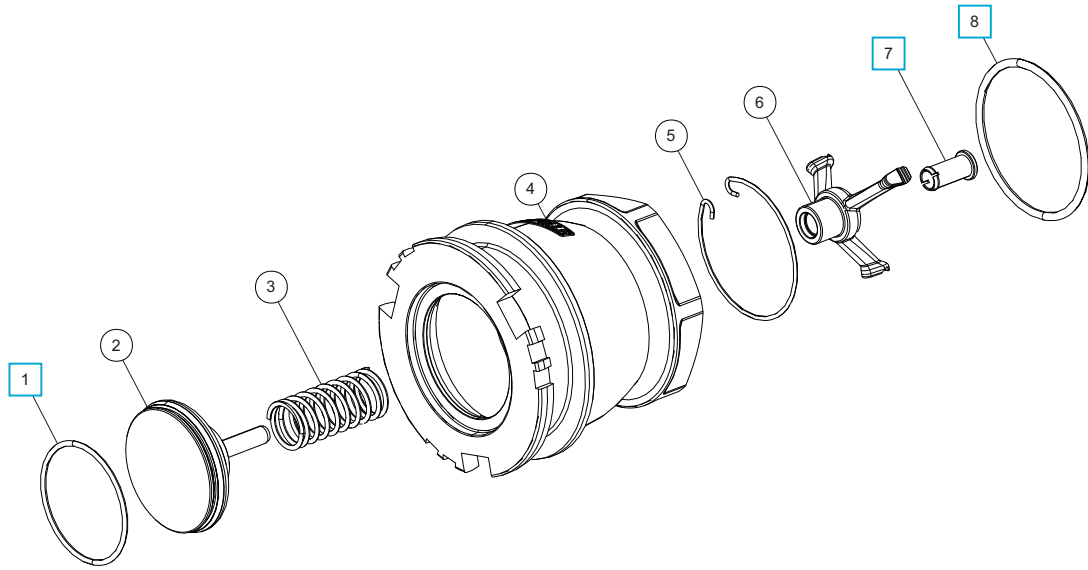


CLOSED POSITION



OPEN POSITION

Parts Drawing



Parts List

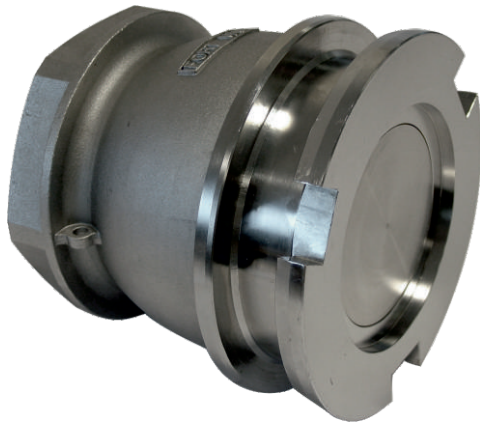
Item	Description	Part No.
1	Viton poppet O ring *Note	5005-730 <input type="checkbox"/>
2	Poppet assembly	376/B193
3	Poppet spring	5104-799
4	119mm body (no selectivity) *Note	376/B191A00
5	Snap ring	5120-082
6	Spider	376/B192
7	Guide bush	376/1052/2 <input type="checkbox"/>
8	PTFE O ring	5005-103 <input type="checkbox"/>

NOTE: The tank unit specification changes the Part No.

Seal Kit

Description	Part No.
All parts marked <input type="checkbox"/> in the Parts List	376X/B190XSK

X = The seal material and inlet type change the Part No.



Specification

Nominal size

164mm

Inlet connection

4" BSP

Outlet/process connection

164mm

Properties

Fire-safe design. Non-protruding poppet

Selectivity

None as standard. All industry accepted selective positions are available, refer to the Selectivity data sheet

Materials

Contact parts: 316 stainless steel

Poppet O ring: Viton

Alternatives are available, refer to the Design Options page

Design Conditions

Weight:	7.4 Kg
Design Pressure (MAWP):	10 Bar
Test Pressure:	17 Bar
Max. Coupling Pressure:	specified by the hose unit
Design Temp. Min/Max:	-40°C / 200°C (metal parts)
Design Temp. Min/Max:	-20°C / 200°C (Viton O ring)

NOTE: The working temperature of the poppet O ring can change the design temperature limits. The Design Conditions and Section View dimensions are for the specified part number only.

Design Code

BS EN 14432

Range

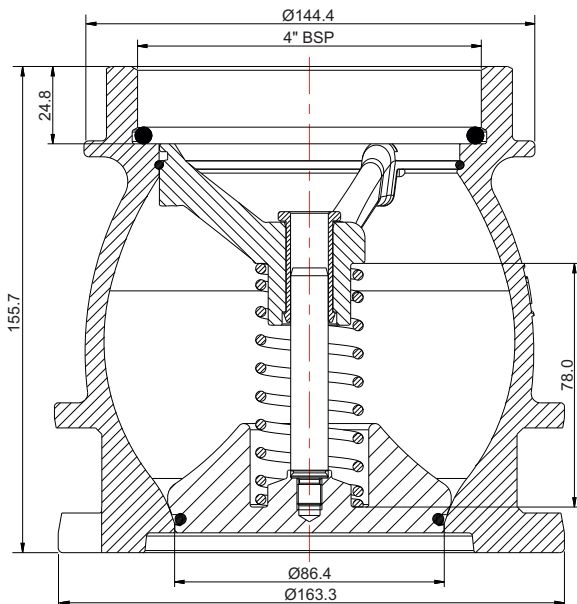
Description	Part No.
4" BSP inlet, Viton seal, no selectivity	376V/B640A00
Flanged inlet, no selectivity *Note	376V/B640X00

NOTE: Different flange specifications are available. Please contact Fort Vale.

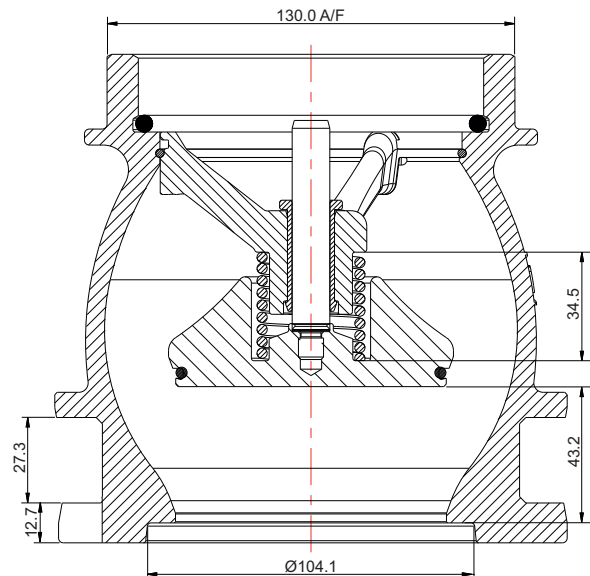
Related Parts

Description	Part No.
164mm pressure-tight cap	915/5490X
164mm/4" BSP hose unit, Viton seal	895V/B164A00
164mm rubber dust cap	915/5176

Section View

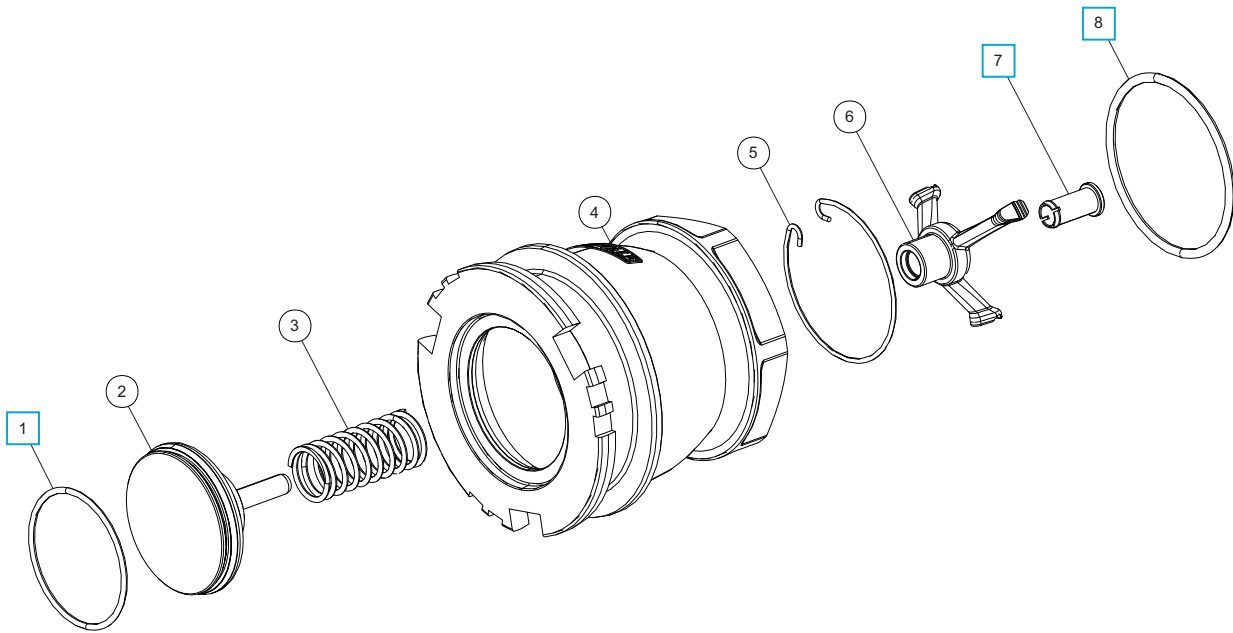


CLOSED POSITION



OPEN POSITION

Parts Drawing



Parts List

Item	Description	Part No.
1	Viton poppet O ring *Note	5005-551V <input type="checkbox"/>
2	Poppet assembly	376/B643
3	Poppet spring	5104-807
4	164mm body (no selectivity) *Note	376/B641A00
5	Snap ring	5120-072
6	Spider	376/B642
7	Guide bush	376/1642/2 <input type="checkbox"/>
8	PTFE O ring	ORB345P0 <input type="checkbox"/>

NOTE: The tank unit specification changes the Part No.

Seal Kit

Description	Part No.
All parts marked <input type="checkbox"/> in the Parts List	376X/B640XSK

X = The seal material and inlet type change the Part No.