



Specification

The Cleanflow footvalve replaceable seat kit lets you replace the footvalve seating area if there is damage or corrosion. This saves time and avoids the cost of replacing a complete valve.

We also supply a complete 3" 45° Cleanflow footvalve assembly with replaceable seat, please refer to Range.

Compatibility

3"/80mm Cleanflow footvalve: 30°, 45°, 90°, 180°
 4"/100mm Cleanflow footvalve: 30°, 45°, 90°, 180°

Seating flange materials

316 stainless steel
 904L stainless steel
 High nickel alloy
 Titanium

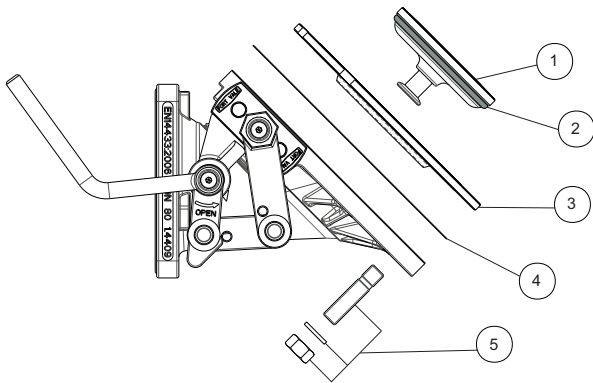
IMPORTANT: A Cleanflow footvalve with a replaceable seat protrudes more from the tank and the outlet centre line is lower than that of a standard valve. Please contact us for dimensions and more information.

Range

Description	Part No.
3" Cleanflow replaceable seat kit	845/16CKX *
4" Cleanflow replaceable seat kit	875/16CKX *
3" 45° Cleanflow with replaceable seat	845/16RXX *

* The seating flange material changes the Part No.

Kit Parts Drawing



Kit Parts List

Item	Description	3" Kit Part No.	4" Kit Part No.
1	Extended poppet	845/0042	875/0042
2	Fortyt O ring	5005-104	5005-349
3	Seating flange *Note	845/0090X	875/0090S
4	PTFE gasket	5005-829	5005-855
5	Stud kit	845/2055	875/2055

NOTE: The seating flange material changes the Part No.



Specification

The 3" 45° Highlift footvalve assembly with replaceable seat lets you replace the footvalve seating flange assembly if there is damage or corrosion. This saves time and avoids the cost of replacing a complete valve.

Please refer to the Spare Parts Drawing and List.

Seating flange materials

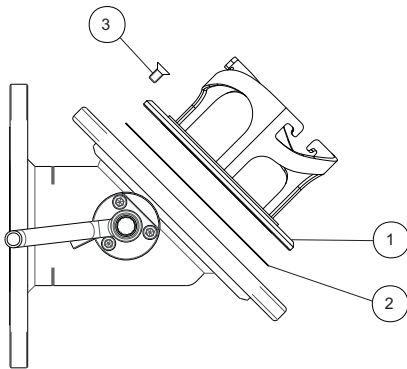
316 stainless steel
High nickel alloy
Titanium

Range

Description	Part No.
3" 45° Highlift with replaceable seat	826/0800XA *

* The seating flange material changes the Part No.

Spare Parts Drawing



Spare Parts List

Item	Description	Part No.
1	Seating flange *Note	826/0817X
2	PTFE gasket	5005-828
3	Retaining screw (3)	5111-018

NOTE: The seating flange material changes the Part No.

IMPORTANT: Some of the spare parts for a replaceable seat Highlift footvalve are different from a standard Highlift footvalve. Please contact Fort Vale for footvalve spare parts.