



## Specification

**Nominal size**

DN50

**Tank connection**

2" BSP

**Set pressure**

From 0.05 Bar to 1.00 Bar

**Set vacuum**

From 2 kPa to 17 kPa

**Materials**

Contact parts: 316 stainless steel

Pressure O ring: a selection of materials is available

Vacuum O ring: a selection of materials is available

Tank seal: Fortyt

## Design Conditions

Weight: 0.58 Kg

For more Design Conditions, please contact Fort Vale and refer to the parts drawing.

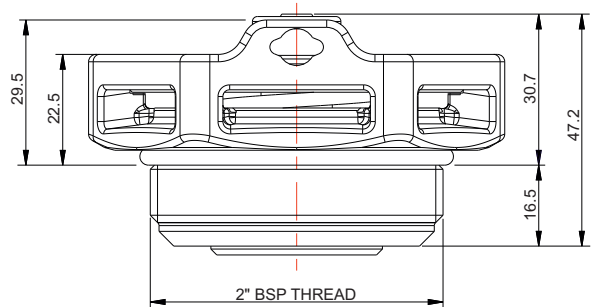
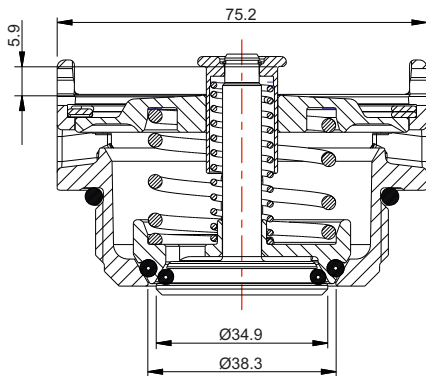
## Range

Description	Part No.
2" BSP valve: low profile body	4B/XXXXXX
2" BSP valve: standard body	4A/XXXXXX

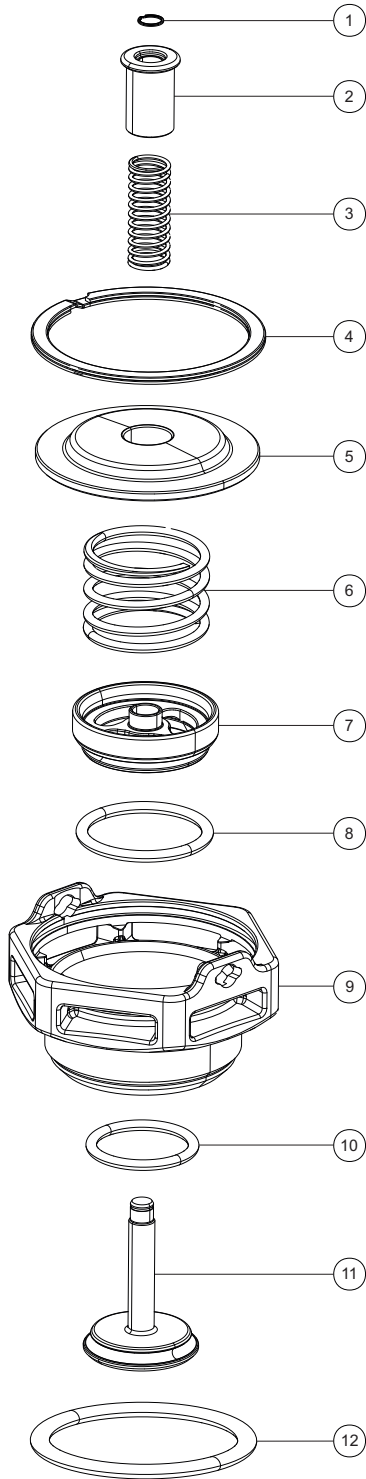
## Related Parts

Description	Part No.
2" BSP weld-in socket	600/1017
Installation C spanner	400/3000

## Section View



## Parts Drawing



## Parts List

Item	Description	Part No.
1	Retaining clip	5120-094
2	Vacuum spring guide <b>*Note</b>	175/0133/X
3	Vacuum spring <b>*Note</b>	5104-XXX
4	Retaining clip	5120-093
5	Top cap	175/0212
6	Pressure spring <b>*Note</b>	5104-XXX
7	Pressure plate	175/0216
8	Pressure O ring <b>*Note</b>	5005-372X
9	Body	175/0215
10	Vacuum O ring <b>*Note</b>	ORB215XX
11	Vacuum poppet	175/0214
12	Fortyt O ring	ORB228F0

**NOTE:** The valve specification changes the Part No.