



Specification

Nominal size

65mm

Tank connection

2½” BSP

Set pressure

From 2 PSI to 75 PSI (0.14 Bar to 5.17 Bar)

Set vacuum

From 0.5”Hg to 26”Hg (0.02 Bar to 0.88 Bar)

Materials

Contact parts: 316 stainless steel

Pressure O ring: Fortyt

Vacuum O ring: Fortyt

Tank seal: Rubber/PTFE envelope

Alternatives are available, refer to the Design Options page

Design Conditions

Weight:	4.08 Kg
Design Pressure (MAWP):	5.2 Bar
Test Pressure:	10.2 Bar
Design Temperature min:	-55°C
Design Temperature max:	200°C

NOTE: The working temperature of the pressure and vacuum O rings can decrease the design temperature. The Design Conditions and Section View dimensions are for the specified part number only.

Approval

Design Approval by Lloyds Register of Shipping

WARNING: If you install an approved relief valve ancillary item, such as a flame arrester, cowl, burst disc or baffle, it will decrease the air flow capacity of the relief valve. Thus, you must calculate again to make sure that the decreased air flow capacity of the relief valve and flame arrester/cowl/burst disc/baffle will give sufficient protection to your vessel/system. Refer to Fort Vale for more information.

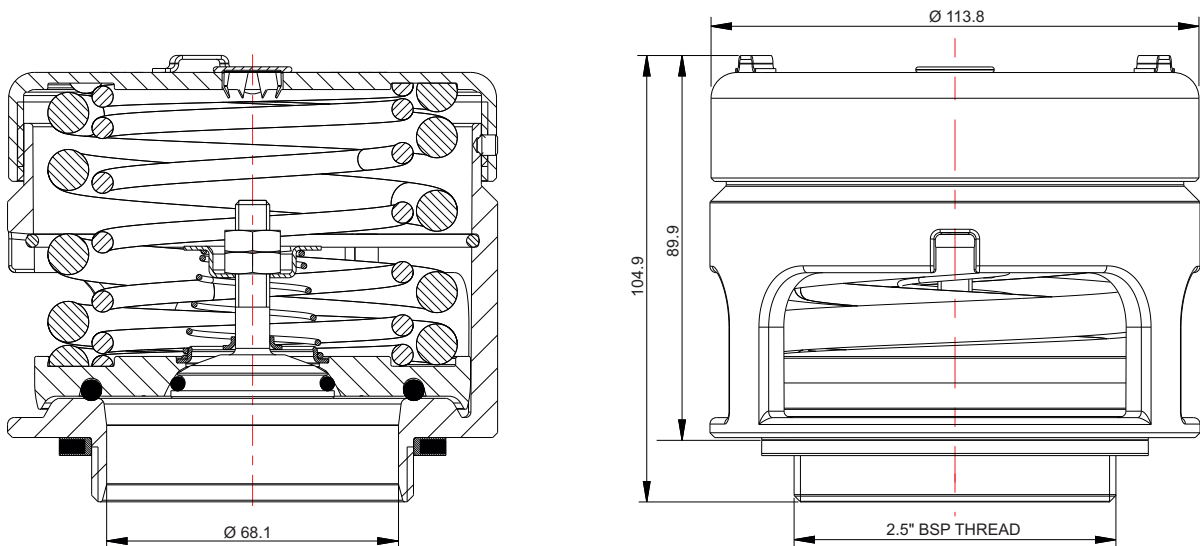
Range

Standard Settings	Part No.
31.8 PSI (2.19 Bar) & 6.2”Hg (0.21 Bar)	010/13212
48.0 PSI (3.31 Bar) & 6.2”Hg (0.21 Bar)	010/14812
53.8 PSI (3.71 Bar) & 6.2”Hg (0.21 Bar)	010/15412
63.8 PSI (4.40 Bar) & 6.2”Hg (0.21 Bar)	010/16312

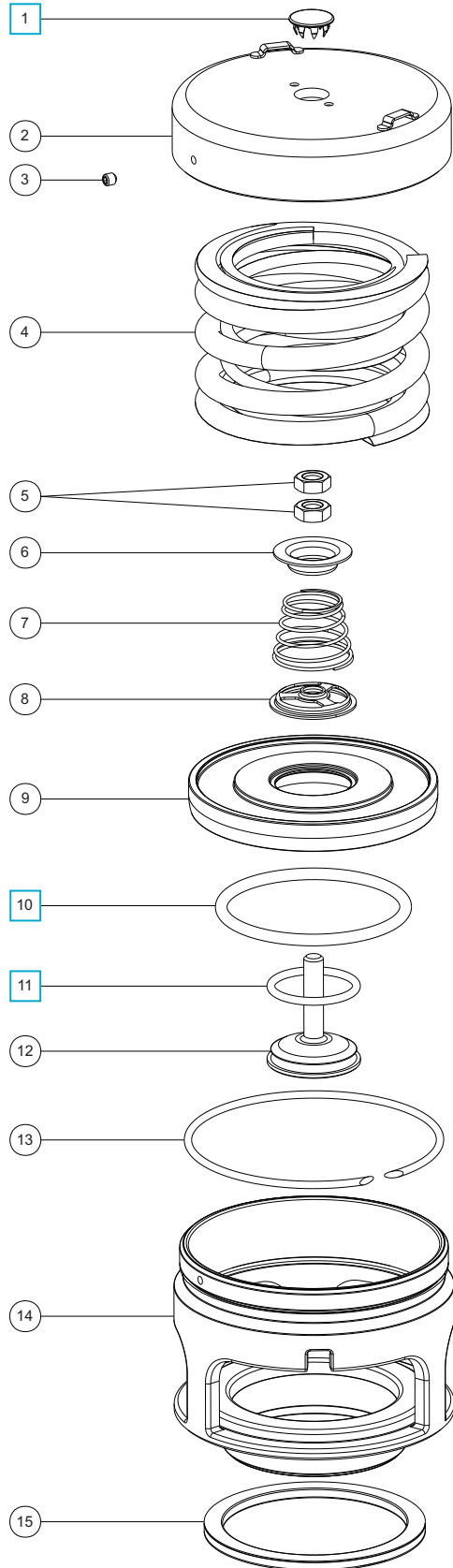
Related Parts

Description	Part No.
2½” BSP weld-in socket	600/1000
Tank weld-in flange	176/3150
CNAF/PTFE gasket (adaptor flange)	5005-398
0-100 PSI pressure gauge, brass internal parts	921/07BBSP
0-100 PSI pressure gauge, stainless steel internal parts	920/07BBSP
Flame arrester *Warning	176/2900
Gauzed cowl *Warning	176/6000

Section View



Parts Drawing



Parts List

Item	Description	Part No.	
1	Stainless steel plug	10978	<input type="checkbox"/>
2	Cap *Note	1760/0005XX	
3	Anti-tamper screw	5121-001	
4	Pressure springs	Refer to Table 1	
5	M8 half nut (2)	5112-004	
6	Vacuum spring pad	1860/0005	
7	Vacuum spring	Refer to Table 2	
8	Spring pad	10986/3	
9	Pressure plate *Note	1860/005XXX	
10	Fortyt pressure O ring	5005-101	<input type="checkbox"/>
11	Fortyt vacuum O ring	5005-108H	<input type="checkbox"/>
12	Vacuum poppet	10983V/3	
13	Retaining ring clip	5120-067	
14	Body	1860/0100	
15	Rubber/PTFE envelope seal	5005-046	

NOTE: The valve specification changes the Part No.

Table 1

Std. Pressure Settings	Pressure Spring Part No.
31.8 PSI (2.19 Bar)	6104-0252
48.0 PSI (3.31 Bar)	6104-0112 & 6104-0252
53.8 PSI (3.71 Bar)	6104-0422 (Pair)
63.8 PSI (4.40 Bar)	6104-0485 (Pair)

Pressure springs are available from 2 PSI (0.14 Bar) to 75 PSI (5.17 Bar)

Table 2

Std. Vacuum Setting	Vacuum Spring Part No.
6.2"Hg (0.21 Bar)	7104-012

Vacuum springs are available from 0.5"Hg (0.02 Bar) to 26"Hg (0.88 Bar)

Seal Kit

Description	Part No.
All parts marked <input type="checkbox"/> in the Parts List	000/1PVSK