



Specification

Nominal size/body angle

4" / 90°

Inlet connection

Flanged: 8 x 14mm holes on a 190mm PCD

Outlet connection

Flanged: 8 x 14mm holes on a 150.1mm PCD

Properties

With pneumatic actuator

Materials

Contact parts: 316 stainless steel

Main seal: PTFE/elastomer

Alternatives are available, refer to the Design Options page

Design Conditions

Weight:	22 Kg
Design Pressure (MAWP):	4 Bar
Test Pressure:	6 Bar
Design Temperature min:	-20°C
Design Temperature max:	200°C

Pneumatic Cylinder

Maximum Operating Pressure: 7 Bar

NOTE: The Design Conditions and Section View dimensions are for the specified part number only.

Approvals

BS EN14433

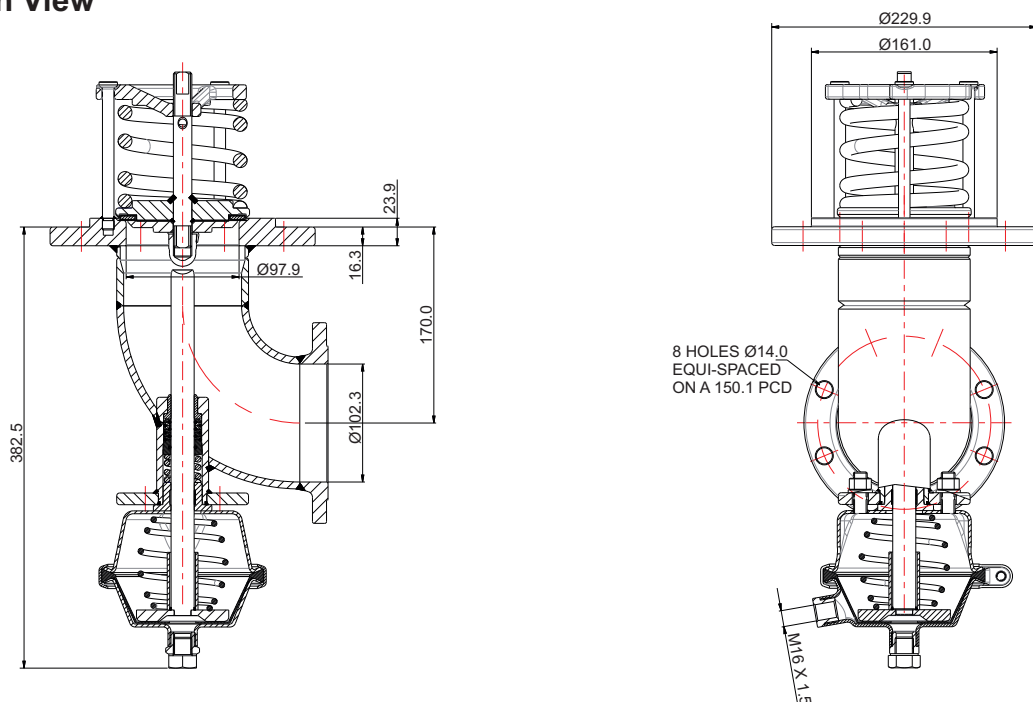
Range

Description	Part No.
Standard valve	299/7000PN
4" 105° with pneumatic actuator	299/7200PN

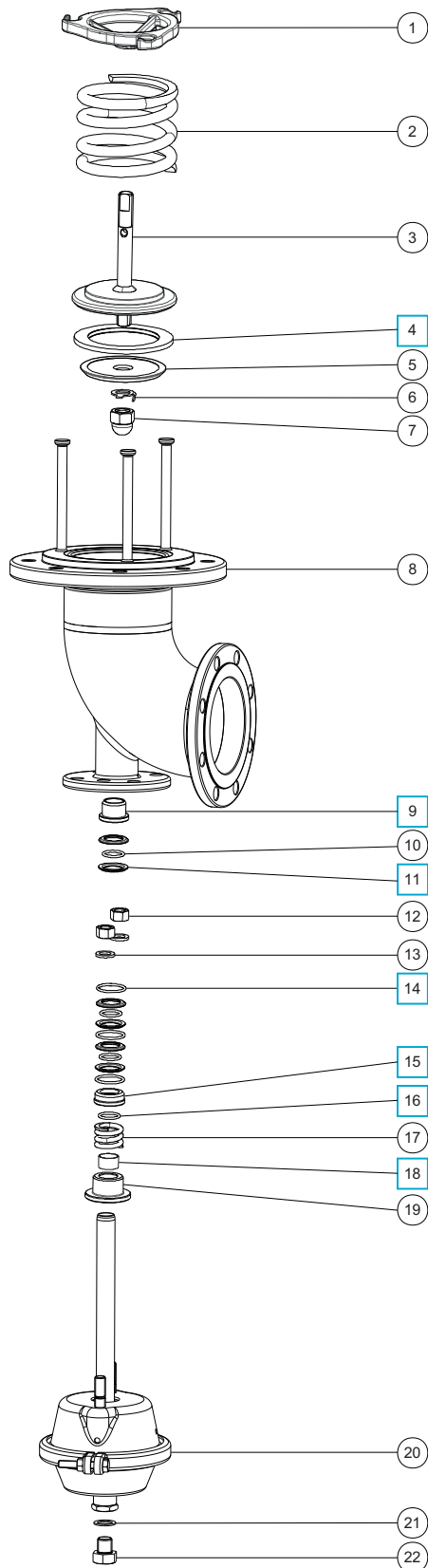
Related Parts

Description	Part No.
Weld-in flange	299/7001
Stud kit	299/7060
CNAF/PTFE inlet gasket	5005-945
CNAF/PTFE outlet gasket	5005-835

Section View



Parts Drawing



Parts List

Item	Description	Part No.	
1	Spring top plate	299/7017	
2	Closure spring	5104-981	
3	Poppet seal housing	299/7034	
4	Poppet composite seal	299/7035	☐
5	Poppet seal clamp plate	299/7036	
6	Locking tab washer	299/7031	
7	M12 dome nut	5112-052	
8	Body	299/7010	
9	Top bearing	299/7011	☐
10	PTFE bearing (3)	5005-926	☐
11	Stuffing bush (6)	299/7013	
12	M12 full nut (2)	5112-006	
13	M12 spring washer (2)	5113-010	
14	PTFE O ring (3)	5005-927	☐
15	Bottom bearing bush	299/7015	☐
16	Viton O ring	5005-928	☐
17	Seal housing spring	5104-982	
18	Scarf bearing	299/7032	☐
19	Stuffing bush	299/7016	
20	Pneumatic cylinder	299/7020	
21	M16 Dowty washer	5005-696	
22	M16 bolt	5111-138	

Seal Kit

Description	Part No.
All parts marked ☐ in the Parts List	299/70SK