



Specification

Nominal size

100mm

Body type

Clamped

Properties

Left hand operated, handle with TIR and padlock slots

Materials

Contact parts: 316 stainless steel

Main seal: Flexityt

Alternatives are available, refer to the Design Options page

Design Conditions

Weight:	4 Kg
Design Pressure (MAWP):	6 Bar
Test Pressure:	9 Bar
Design Temperature Min:	-40°C
Design Temperature Max:	200°C

NOTE: The Design Conditions and Section View dimensions are for the specified part number only.

Design Code

BS EN14432

Design Approvals

Lloyds Register of Shipping

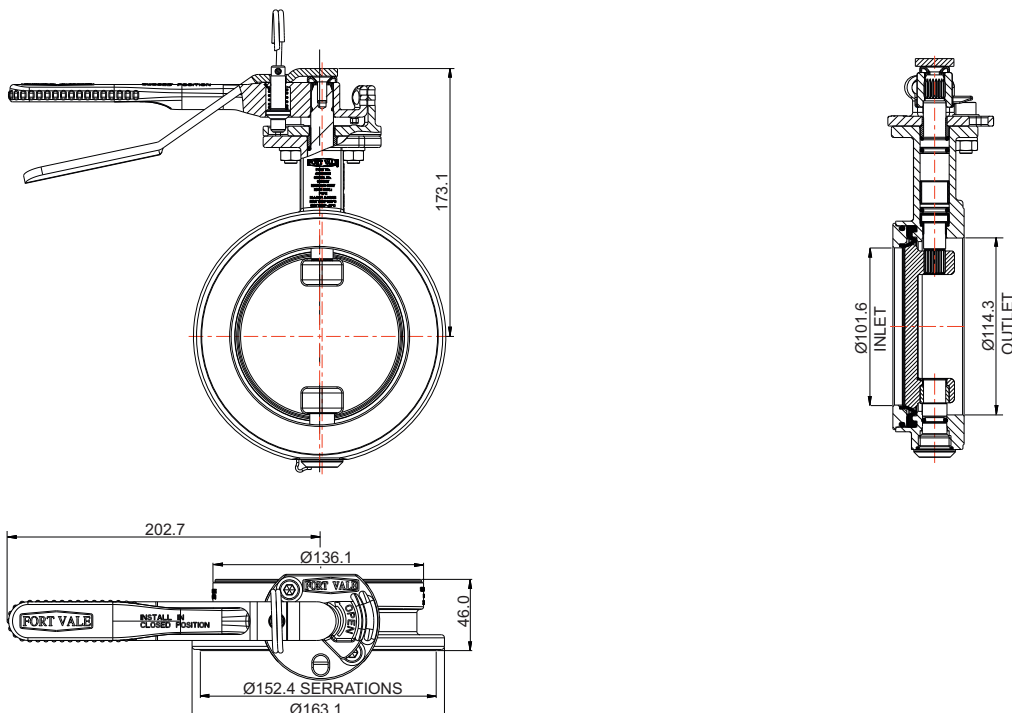
Range

Description	Part No.
Standard specification	468/7250B
Pneumatically actuated	468/7200BPN
With high-temperature seals	468/725HTB

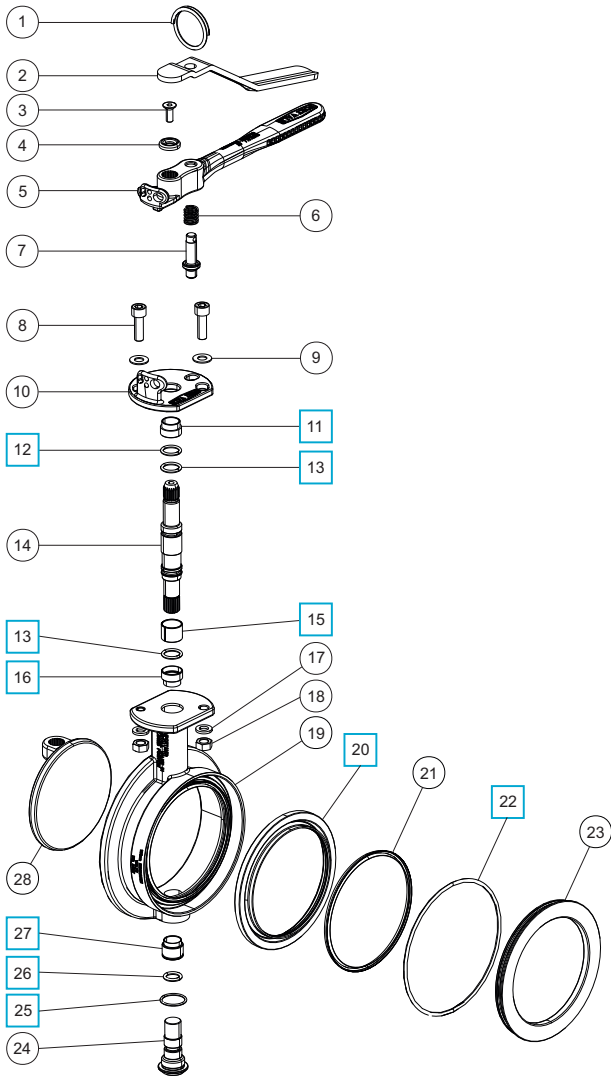
Related Parts

Description	Part No.
CNAF/PTFE inlet gasket	5005-468
CNAF/PTFE outlet gasket	5005-469
Bolting kit (8x bolts, nuts, washers)	468/1100
4" BSP outlet flange	468/8047
4" BSP blank cap with PTFE seal	10304PSC

Section View



Parts Drawing



Parts List

Item	Description	Part No.	
1	Split ring	368/0011	
2	Operating lever	368/9837	
3	Countersunk set screw	5111-030	
4	Washer	20370	
5	Handle	368/0050	
6	Handle spring	368/0012	
7	Handle location pin	368/0010	
8	M8 cap screw (2)	5111-148	
9	M8 plain washer (2)	5113-005	
10	Stuffing clamp	368/0040	
11	PTFE stuffing clamp bush	368/0301	<input type="checkbox"/>
12	PTFE O ring	20363	<input type="checkbox"/>
13	Viton O ring (2)	20361	<input type="checkbox"/>
14	Spindle	368/0205	
15	Split bearing	368/0039	<input type="checkbox"/>
16	PTFE bearing	368/0009HT/1	<input type="checkbox"/>
17	M8 spring washer (2)	5113-003	
18	M8 full nut (2)	5112-001	
19	Body	468/0200	
20	Flexityt PTFE main seal	468/0030	<input type="checkbox"/>
21	Flexityt seal spring	468/0031	
22	Nitrile O ring	5005-357	<input type="checkbox"/>
23	Seal clamp plate	468/0033	
24	Bottom spindle	468/0005	
25	PTFE O ring	5005-160	<input type="checkbox"/>
26	High temperature seal	ORB614K1	<input type="checkbox"/>
27	PTFE bottom bush	468/0035	<input type="checkbox"/>
28	Closure plate	468/0400	

Seal Kit

Description	Part No.
All parts marked <input type="checkbox"/> in the Parts List	468/725SKB