



## Specification

### Nominal size

80mm

### Body type

Weld-prepared inlet, 3" BSP threaded outlet

### Properties

Left hand operated, lockable handle with TIR

### Materials

Contact parts: 316 stainless steel

Main seal: PTFE

Alternatives are available, refer to the Design Options page

## Design Conditions

Weight:	6.15 Kg
Design Pressure (MAWP):	6 Bar
Test Pressure:	11 Bar
Design Temperature Min:	-40°C
Design Temperature Max:	200°C

**NOTE:** The Design Conditions and Section View dimensions are for the specified part number only.

### Approvals

BS EN14432

Lloyds Register of Shipping Design Appraisal: DCF9376/1

Rijksdienst voor het Wegverkeer Approval: VLG S-9301

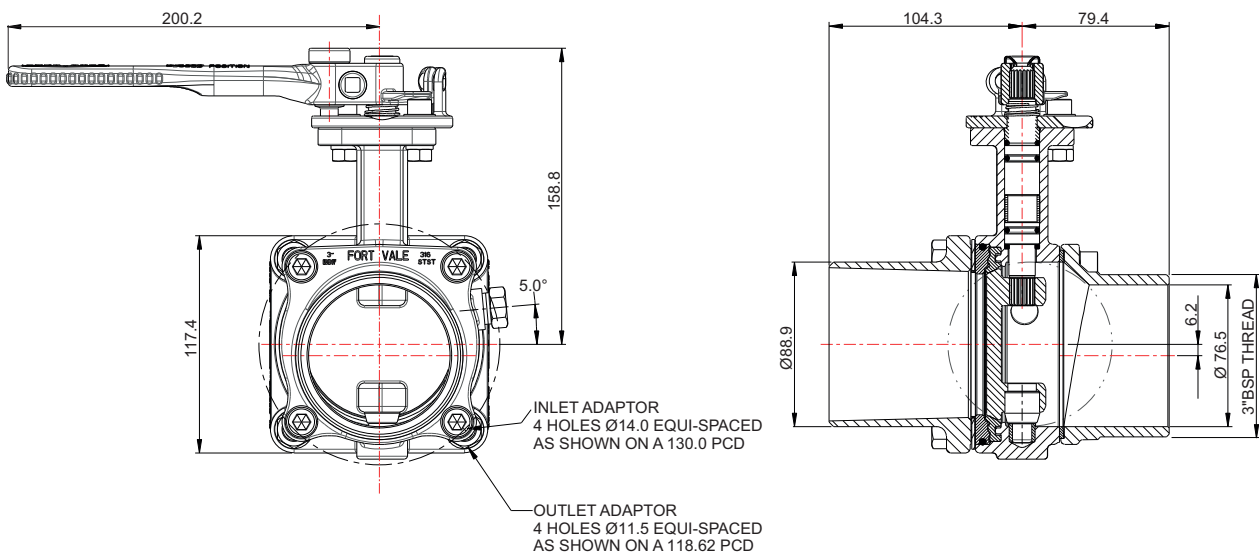
## Range

Body	Outlet	Part No.
Non-vented	3" BSP standard	368/9400SXBA
Vented 3/8" BSP	3" BSP standard	368/9400SVBA
Non-vented	3" BSP extended	368/9400SXEA
Vented 3/8" BSP	3" BSP extended	368/9400SVEA

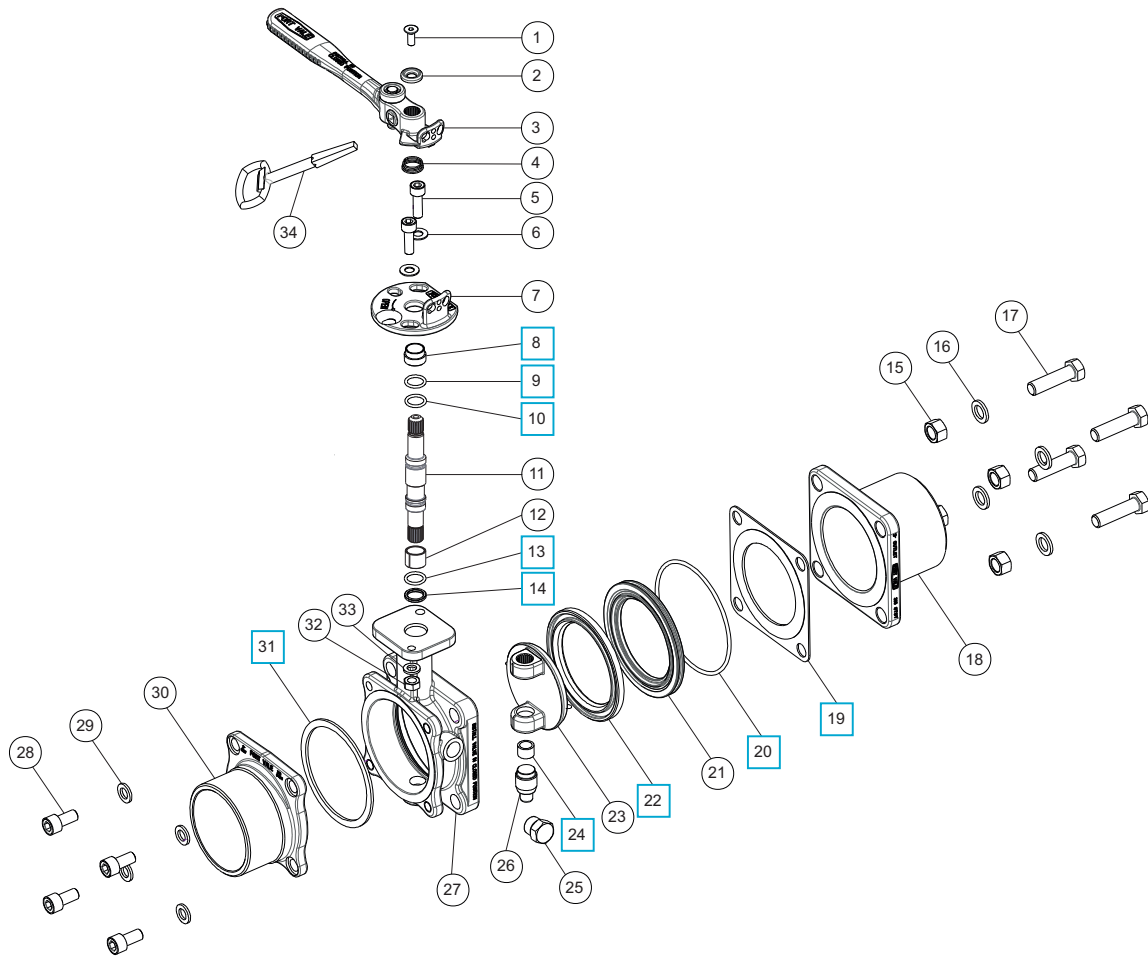
## Related Parts

Description	Part No.
3" BSP blank cap with PTFE seal	10303PS
Conversion mounting kit	368/9401KIT

## Section View



## Parts Drawing



### Parts List

Item	Description	Part No.
1	M6 socket head set screw	5111-030
2	Washer	20370
3	Handle	368/0075
4	Electrical continuity spring	368/0014
5	M8 socket head cap screw (2)	5111-148
6	M8 plain washer (2)	5113-005
7	Stuffing plate	368/0041
8	Stuffing clamp bush	368/0301 <input type="checkbox"/>
9	PTFE O ring	20363 <input type="checkbox"/>
10	Viton O ring	20361 <input type="checkbox"/>
11	Spindle	368/0200
12	Split bearing	252/0517
13	Perfluoroelastomer O ring	5005-586 <input type="checkbox"/>
14	PTFE spindle seat	368/0009 <input type="checkbox"/>
15	M12 full nut (4)	5112-006
16	M12 spring washer (4)	5113-010
17	M12 hex head set screw (4)	5111-023
18	Inlet adaptor *Note	368/9410
19	CNAF/PTFE inlet gasket	5005-707 <input type="checkbox"/>
20	Nitrile O ring	5005-342 <input type="checkbox"/>

### Parts List

Item	Description	Part No.
21	Seal clamp	368/9148
22	PTFE main seal	368/0002 <input type="checkbox"/>
23	Closure plate	368/0400
24	Bottom spindle bush	368/0035 <input type="checkbox"/>
25	3/8" taper plug *Note	5128-0XX
26	Bottom spindle	368/0036
27	Body (non-vented) *Note	368/9420A
28	M10 socket head cap screw (4)	5111-053
29	M10 spring washer (4)	5113-002
30	3" BSP outlet *Note	368/9430
31	PTFE outlet seal	5005-706 <input type="checkbox"/>
32	M8 full nut (2)	5112-001
33	M8 spring washer (2)	5113-003
34	Key	368/4625

NOTE: The valve specification changes the part number

### Seal Kit

Description	Part No.
All parts marked <input type="checkbox"/> in the Parts List	368/94SK