

Specification

Nominal size

3"

Tank connection

Flanged: 8 x 18mm holes on a 160mm PCD

Outlet/Process connection

Flanged: 8 x 18mm holes on a 160mm PCD

Options

Fire safe specification or lethal service specification - refer to Design Conditions: NOTE

Left or right hand operation

Materials

Contact parts: 316 stainless steel

Main seal: TFM PTFE

Design Conditions

Weight:	17.0 Kg
Design Pressure (MAWP):	16 Bar
Test Pressure:	24 Bar
Design Temperature Min:	-40°C
Design Temperature Max:	205°C

NOTE: The fire safe specification ball valve is not compatible with lethal service conditions. The lethal service specification ball valve is compatible with fire safe and lethal service conditions.

Design Codes

BS EN14432, EN12516-2, EN10497
API 607

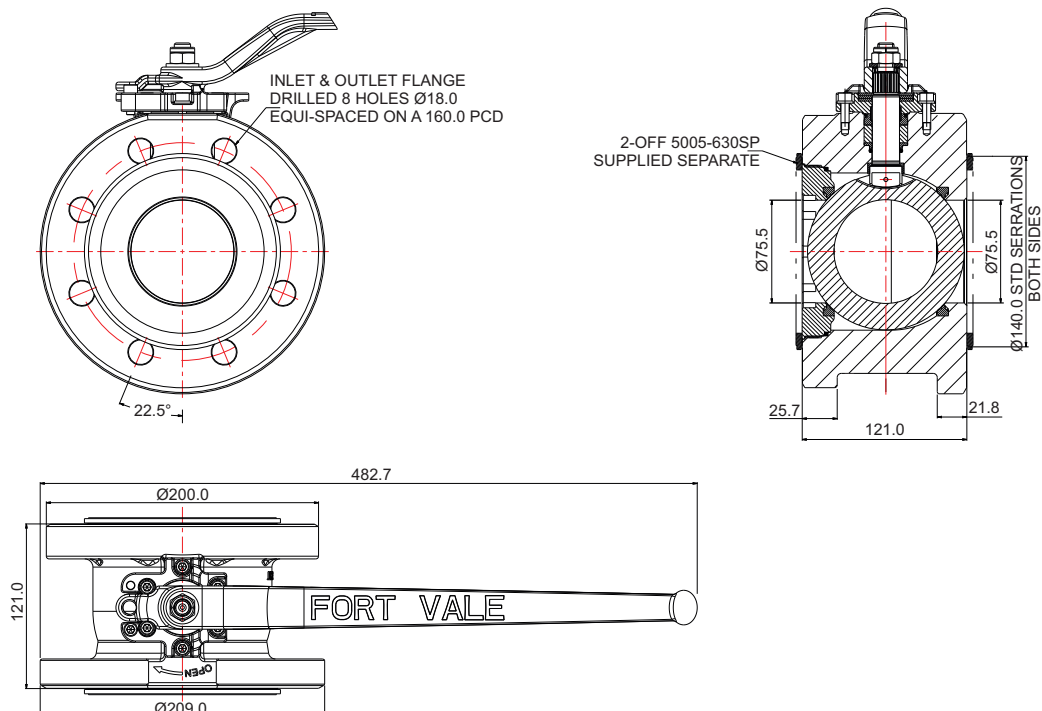
Range

Description	Part No.
3" fire safe valve, left hand	360/5000FSL
3" fire safe valve, right hand	360/5000FSR
3" fire safe/lethal service valve, left hand	360/5000LSL
3" fire safe/lethal service valve, right hand	360/5000LSR

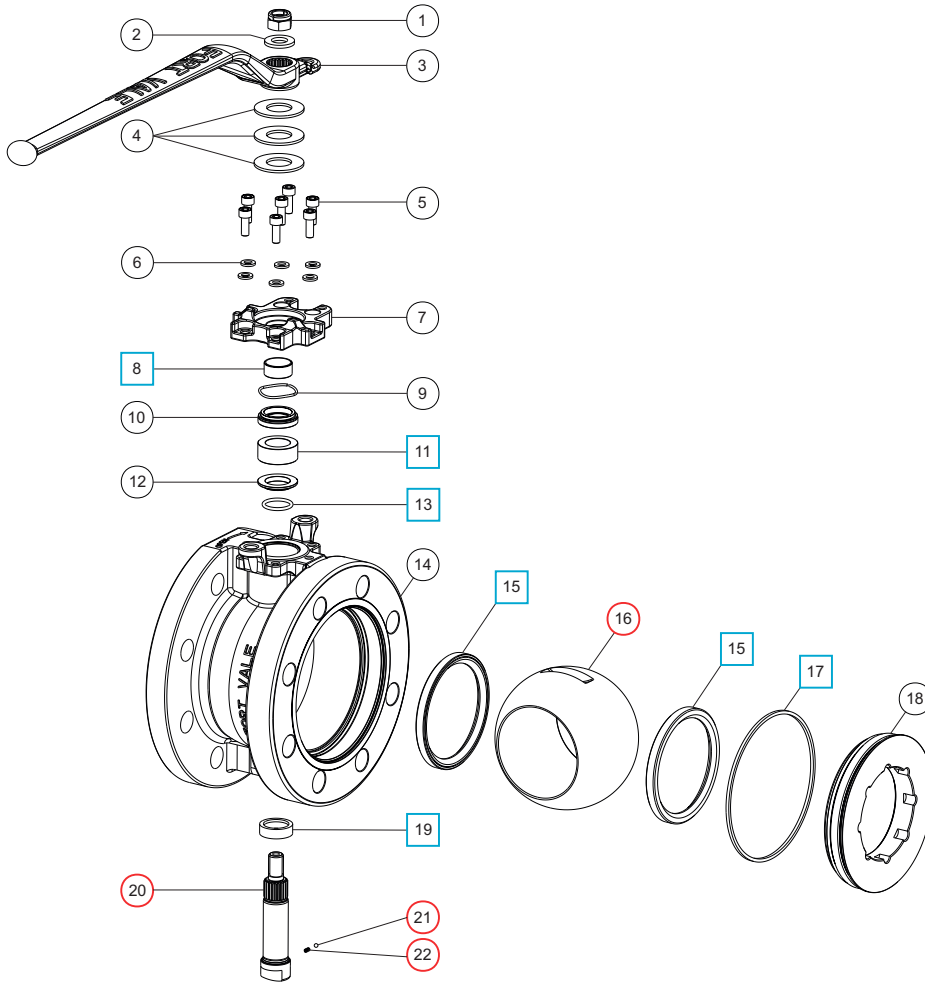
Related Parts

Description	Part No.
Stainless steel/graphite spiral wound gasket: 3" ball valve inlet and outlet	5005-630SP

Section View



Parts Drawing



Parts List

Item	Description	Part No.
1	M12 locking nut *Note	5112-007-XX
2	M12 washer	5123-003
3	Handle	360/3416FS
4	20mm Belleville washer (3)	5113-041
5	M6 cap screw (7) *Note	5111-015-XX
6	M6 spring washer (6)	5113-008
7	Retaining gland *Note	360/5005XX
8	Bearing bush	360/0182 <input type="checkbox"/> <input type="radio"/>
9	Wave spring	360/3351
10	Stuffing gland	360/0180
11	Gland seal	360/3353 <input type="checkbox"/> <input type="radio"/>
12	Stuffing gland	360/0181
13	Perfluoroelastomer O ring	5005-928HT <input type="checkbox"/> <input type="radio"/>
14	3" ball valve body *Note	360/5014XX
15	TFM PTFE ball seal (2)	360/3402FS <input type="checkbox"/> <input type="radio"/>
16	Ball *Note	360/3401XX <input type="checkbox"/> <input type="radio"/>
17	Body seal	360/0106GR <input type="checkbox"/> <input type="radio"/>

Parts List

Item	Description	Part No.
18	Seal retainer	360/0176/2
19	Bearing bush	360/3421FS <input type="checkbox"/> <input type="radio"/>
20	Spindle	360/3422FS <input type="checkbox"/> <input type="radio"/>
21	3mm ball	10154SS <input type="checkbox"/> <input type="radio"/>
22	Plunger spring	370-3469 <input type="checkbox"/> <input type="radio"/>

NOTE: The valve specification changes the part number

Seal Kit - All parts marked in the Parts List

Description	Part No.
For fire safe & lethal service valves	360/50LSK

Repair Kit - All parts marked in the Parts List

Description	Part No.
For fire safe valves only	360/50FRK
For lethal service valves only	360/50LRK