



Specification

Nominal size

2"

Tank connection

Flanged: 8 x 19mm holes on a 127mm PCD

Outlet/Process connection

Flanged: 8 x 19mm holes on a 127mm PCD

Properties

Refer to Design Conditions: NOTE

Options

Left or right hand operation

Materials

Contact parts: 316 stainless steel

Main seal: TFM PTFE

Design Conditions

Weight:	10.3 Kg
Design Pressure (MAWP):	16 Bar
Test Pressure:	24 Bar
Design Temperature Min:	-40°C
Design Temperature Max:	205°C

NOTE: This lethal service specification ball valve is compatible with fire safe and lethal service conditions.

Design Codes

BS EN14432, EN12516-2, EN10497
API 607

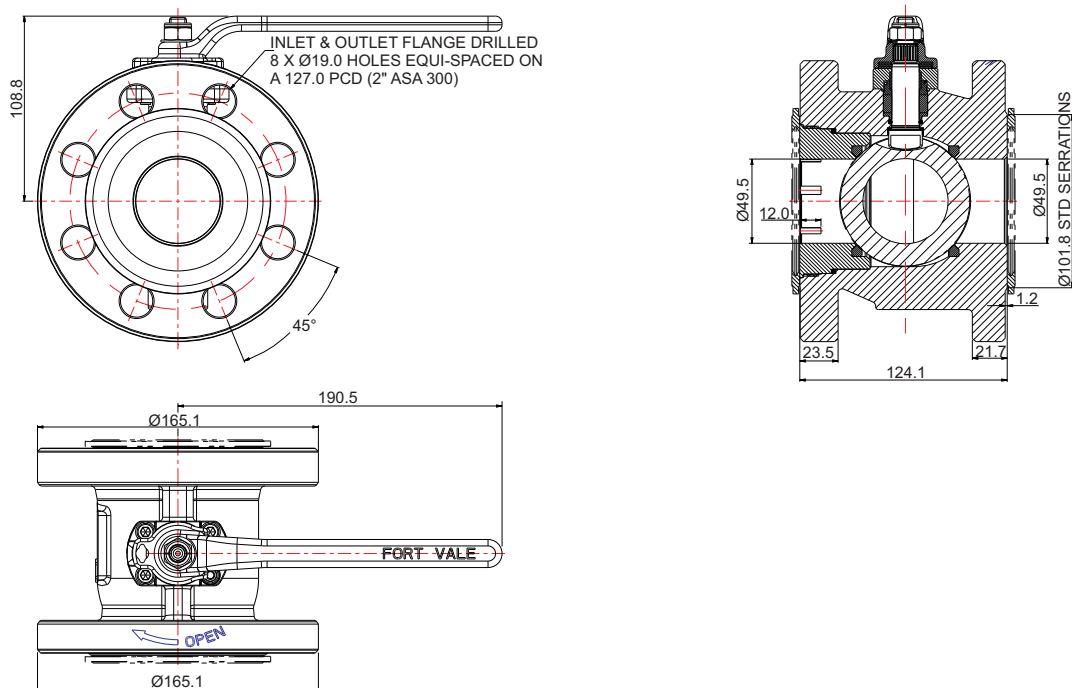
Range

Description	Part No.
2" fire safe/lethal service valve, left hand	370/5000LSL
2" fire safe/lethal service valve, right hand	370/5000LSR

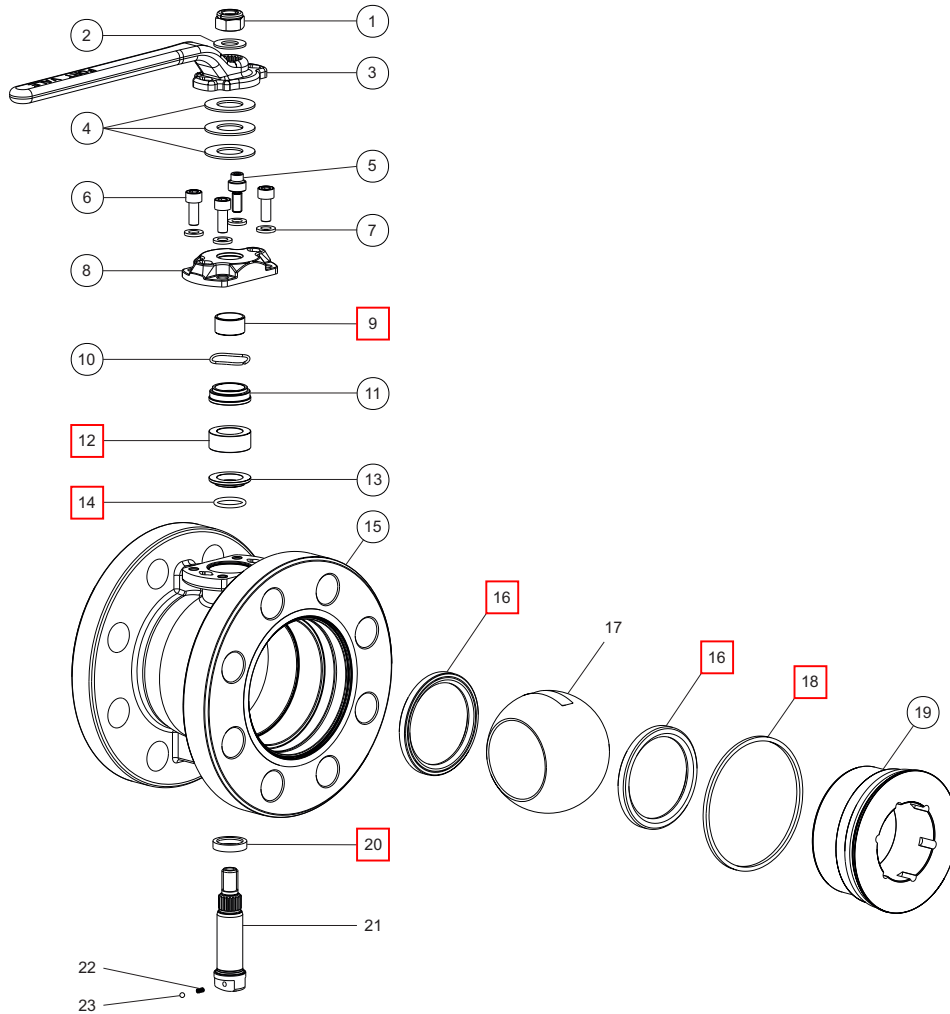
Related Parts

Description	Part No.
Stainless steel/graphite spiral wound gasket: 2" ball valve inlet and outlet	5005-724SP

Section View



Parts Drawing



Parts List

Item	Description	Part No.
1	M10 locking nut *Note	5112-008-XX
2	M10 washer	5113-009
3	Handle	370/0125
4	16mm Belleville washer (3)	5113-038
5	Stop pin *Note	370/3442-XX
6	M6 cap screw (3) *Note	5111-108-XX
7	M6 spring washer (4)	5113-008
8	Retaining gland *Note	370/3449XX
9	Bearing bush	370/3443 <input type="checkbox"/>
10	Wave spring	370/3457
11	Stuffing gland	370/3458
12	Gland seal	370/3353 <input type="checkbox"/>
13	Stuffing gland	370/3459
14	Perfluoroelastomer O ring	5005-216PER <input type="checkbox"/>
15	2" ball valve body *Note	370/5001XX
16	TFM PTFE ball seal (2)	370/0102FS <input type="checkbox"/>
17	Ball *Note	370/3301XX

Parts List

Item	Description	Part No.
18	Body seal	370/0106GR <input type="checkbox"/>
19	Seal retainer	370/5003
20	Bottom bearing	370/0104FS <input type="checkbox"/>
21	Spindle	370/0120FS
22	Plunger spring	370-3469
23	3mm ball	10154SS

NOTE: The valve specification changes the part number

Seal Kit - All parts marked in the Parts List

Description	Part No.
For fire safe & lethal service valves	370/50LSK

Repair Kit - All parts marked in the Parts List

Description	Part No.
For fire safe valves only	370/50FRK
For lethal service valves only	370/50LRK