

Specification

Nominal size

Ø 50

Tank connection

Flanged: 4 open slots - 2" BSTD / 2" ASA 150 / DIN50 PN40

Outlet/Process connection

2" BSP male

Properties

Left hand operated, handle with TIR

Materials

Contact parts: 316 stainless steel

Main seal: PTFE

Alternatives are available, refer to the Design Options page

Design Conditions

Weight:	7.91 Kg
Design Pressure (MAWP):	7.5 Bar
Test Pressure:	13.8 Bar
Design Temperature Min:	-40°C
Design Temperature Max:	205°C

NOTE: The Design Conditions and Section View dimensions are for the specified part number only.

Design Codes

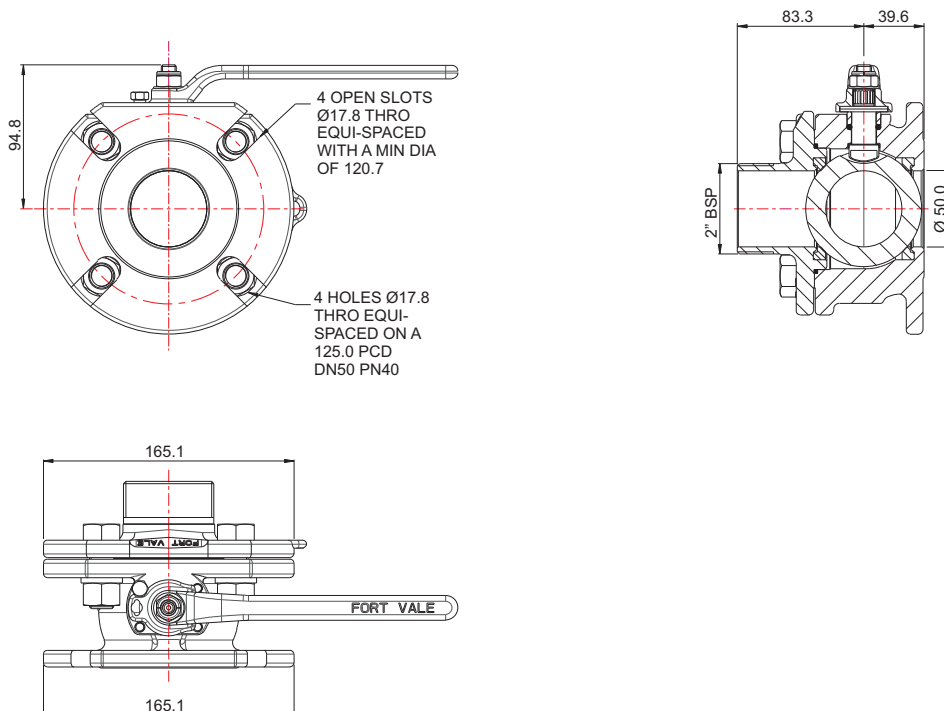
BS EN14432

Design approval by Lloyds Register of Shipping

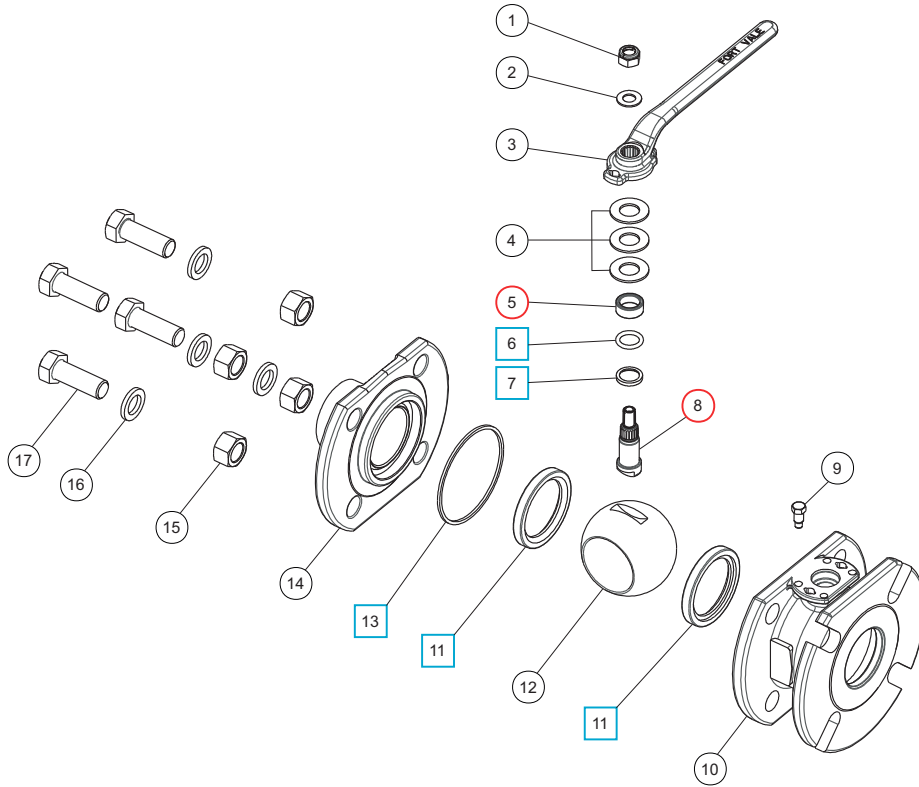
Related Parts

Description	Part No.
Tank weld-in flange	355/3100
Stud kit	311/3700
2" BSP cap with chain & PTFE seal	10301PS

Section View



Parts Drawing



Parts List

Item	Description	Part No.	
1	M10 self locking nut	5112-008	
2	M10 plain washer	5113-009	
3	Handle	370/0125	
4	16mm Belleville washer (3)	5113-038	
5	Stuffing collar	370/0103	○
6	PTFE O ring	5005-688	□ ○
7	Bottom bearing bush	370/0104	□ ○
8	Spindle	370/0120	○
9	Stop bolt	370/0107	
10	2" ball valve body	370/0110	
11	PTFE ball seal (2)	370/0102	□ ○
12	50mm ball	370/3301	
13	Body seal	370/0106	□ ○
14	Outlet flange	370/0130	
15	M16 full nut (4)	5112-003	
16	M16 spring washer (4)	5113-012	
17	M16 hexhead setscrew (4)	5111-036	

Seal Kit

Description	Part No.
All parts marked □ in the Parts List	370/015SK

Repair Kit

Description	Part No.
All parts marked ○ in the Parts List	370/015RK