



## Specification

### Nominal size

Ø 50

### Tank connection

Flanged: 6 x 14mm holes on a 168mm PCD

### Outlet/Process connection

Flanged: 4 x open slots - 2" ASA150 / 2" BSTD / DIN50 PN10

### Properties

Ball with bleed hole and body with gauge connection to monitor tank pressure. Handle with TIR

### Materials

Contact parts: 316 stainless steel

Main seal: PTFE

Alternative tank connections are available, refer to Fort Vale

## Design Conditions

Weight:	13.5 Kg
Design Pressure (MAWP):	7.5 Bar
Test Pressure:	13.8 Bar
Design Temperature Min:	-40°C
Design Temperature Max:	205°C

**NOTE:** The Design Conditions and Section View dimensions are for the specified part number only.

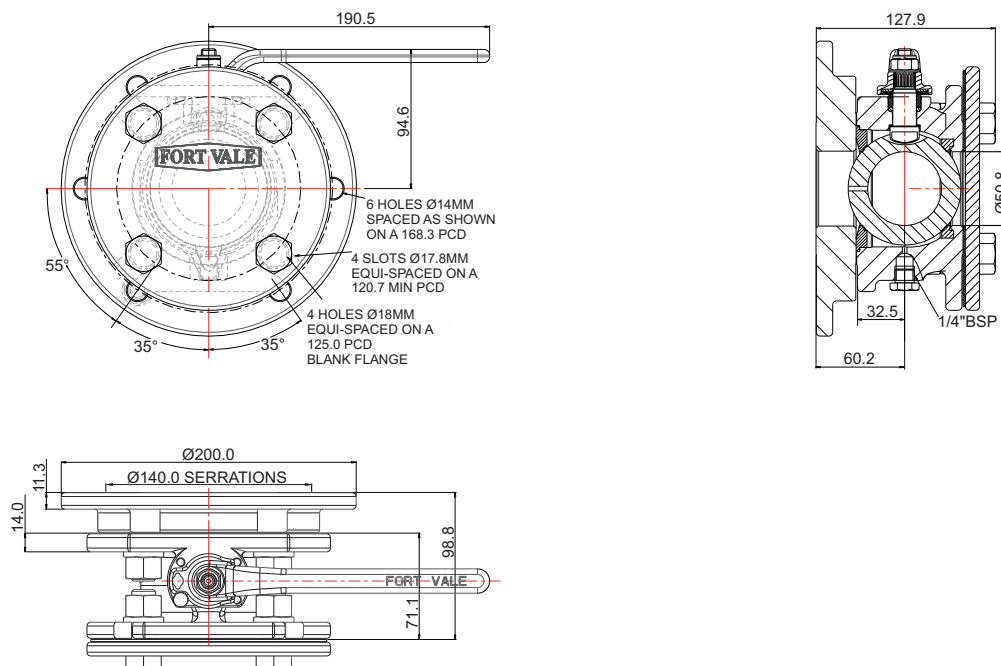
### Design Code

BS EN14432

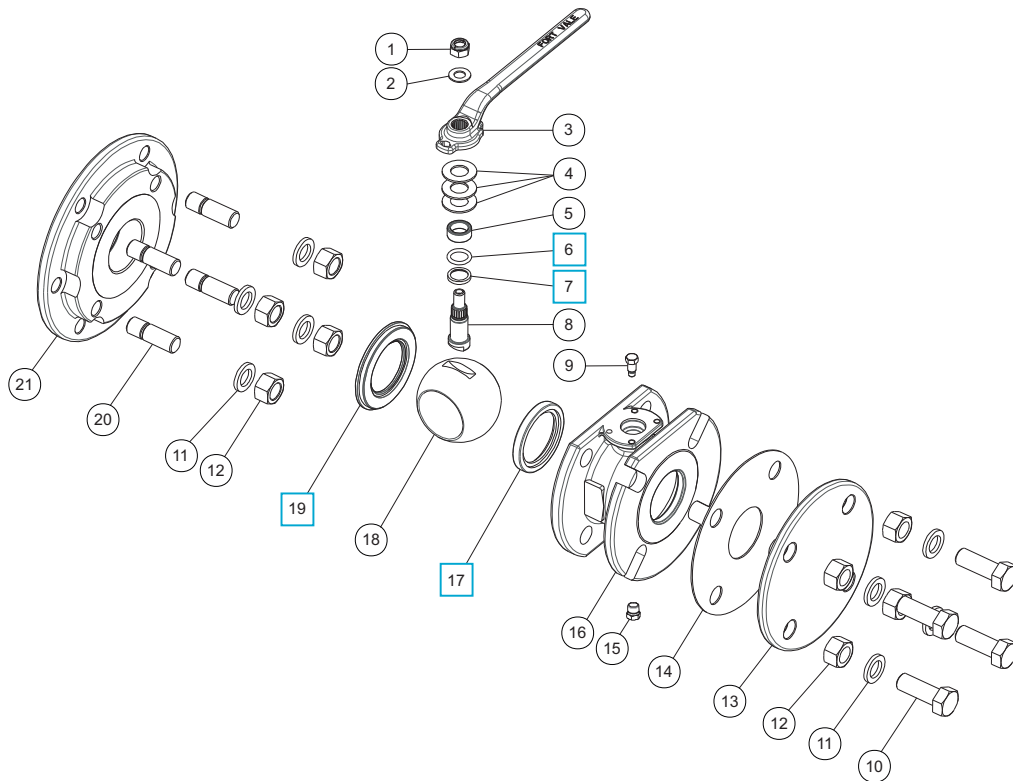
## Related Parts

Description	Part No.
Tank weld-in flange	368/0800
Stud kit	312/1000
Solid PTFE inlet gasket	5005-222P
Syphon tube stub pipe	368/0810
CNAF/PTFE gasket	5005-169

## Section View



## Parts Drawing



### Parts List

Item	Description	Part No.	
1	M10 self locking nut	5112-008	
2	M10 plain washer	5113-009	
3	Handle	370/0125	
4	16mm Belleville washer (3)	5113-038	
5	Stuffing collar	370/0103	
6	PTFE O ring	5005-688	☐
7	Bottom bearing bush	370/0104	☐
8	Spindle	370/0120	
9	Stop bolt	370/0107	
10	M16 hex bolt (4)	5111-031	
11	M16 spring washer (8)	5113-012	
12	M16 full nut (8)	5112-003	
13	Blank flange	370/4239	
14	PTFE gasket	5005-724P	
15	1/4" BSP hex plug	5128-005	
16	2" ball valve body	370/0115	
17	Rear PTFE ball seal	370/0105	☐
18	2" ball	370/3309	
19	Front PTFE ball seal	370/0102	☐
20	M16 stud (4)	S0600/3	
21	Adaptor flange	370/0145	

### Seal Kit

Description	Part No.
All parts marked ☐ in the Parts List	370/01SK