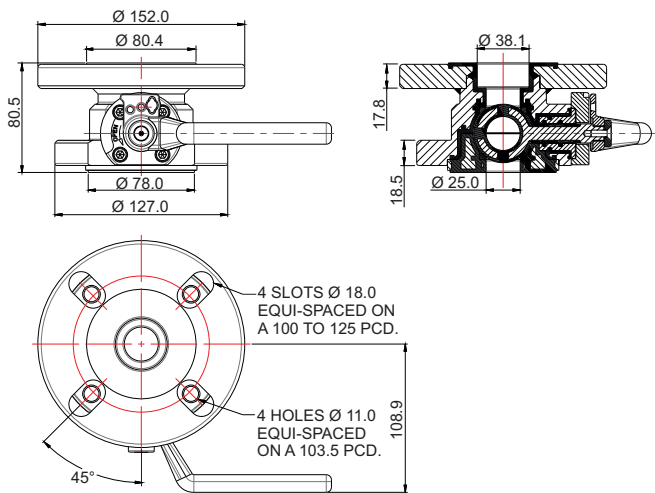


PFA Lined 25mm Reduced Bore Flanged Airline Ball Valve - tank connection flange drilled 4 x 11mm holes on a 103.5mm PCD. Mating flange drilled 4 x 18mm slots on a 100mm to 125mm PCD; Valve manufactured in stainless steel with PTFE main seal. All parts in contact with the cargo lined with PFA.

Options - range of PFA lined ball valves (See RANGE)

## Fitting Details

Part number : 530/P100



## Specification

Weight	5.0 Kg
Design Pressure (MAWP)	6.9 Bar (100 PSI)
Test Pressure	12.8 Bar (185.6 PSI)
Design Temperature Range	-40°C to +200°C -40°F to +392°F

Valve complies with EN14432:2006 and RID norms.

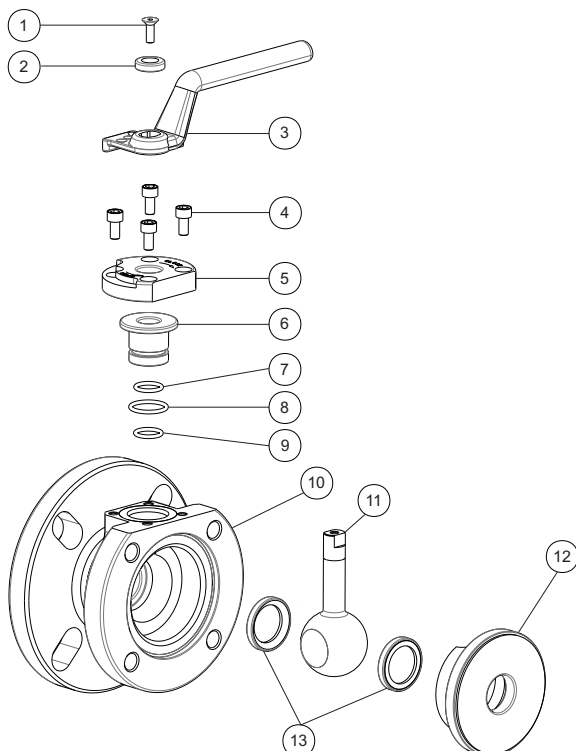
## Range

Part No.	Description
530/P100	25mm PFA lined reduced bore ball valve
370/P200	50mm PFA lined full bore ball valve
360/P030X	80mm PFA lined full bore ball valve

## Associated Parts

Part No.	Associated Parts
350/0024	Tank weld-in pad
355/1250	Stud kit
530/8053CM	Blind flange
5005-348	Solid PTFE outlet gasket
311/3510	Bolting kit

## Parts drawing



Item	Description	Part No.
1	M5 socket screw	5111-111
2	Retaining washer	20370/5
3	Handle	530/0020/1
4	M6 button screw (4)	5121-013
5	Stuffing clamp	530/1014
6	Seal carrier for lining	530/1013
7	Perfluoroelastomer O ring	5005-586
8	Perfluoroelastomer O ring	5005-384
9	Fortyt O ring	5005-601
10	PFA lined body	530/P110
11	PFA lined ball & stem	530/1010L
12	PFA lined clamp plate	530/1011P
13	PTFE front & rear seal (2)	530/0024