



2½" Super Maxi Pressure/Vacuum Relief Valve with 80mm DIN11851 connection - Suitable for a pressure range of between 2 PSI to 75 PSI (0.14 Bar to 5.17 Bar) and a vacuum range of between 0.5"Hg to 24"Hg (0.02 Bar to 0.81 Bar). Contact parts manufactured in 316 stainless steel fitted with Fortyt seal (FEP encapsulated silicone O ring) as standard. Supplied complete with DIN 11851 fitting nut.

**Options** - pressure only version. Different tank connections available. Alternative seal materials.

## Specification

Weight	5.35 Kg
Design Pressure (MAWP)	5.2 Bar (75 PSI)
Test Pressure	10.1 Bar (147 PSI)
Fortyt Seal Temperature Range	-55°C to 200°C

In-house test certificates confirming valve setting and serial number supplied as standard.

Visual inspection and service (where necessary) is recommended on a 6 monthly basis.

## Range

Part No.	Description
01M/XXX00	80mm DIN11851 pressure only
01M/XXXXX	80mm DIN11851 pressure/vacuum
01J/XXXXX	3" RJT pressure/vacuum *Note

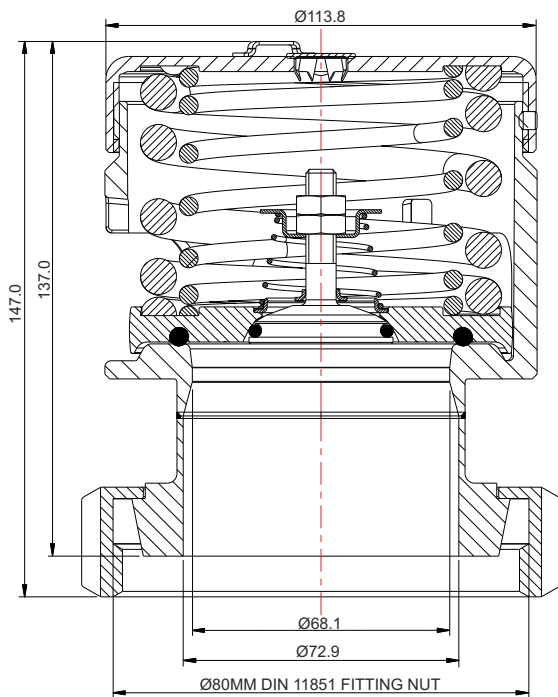
**Note** : See 3" RJT section view under Fitting Details

## Associated Parts

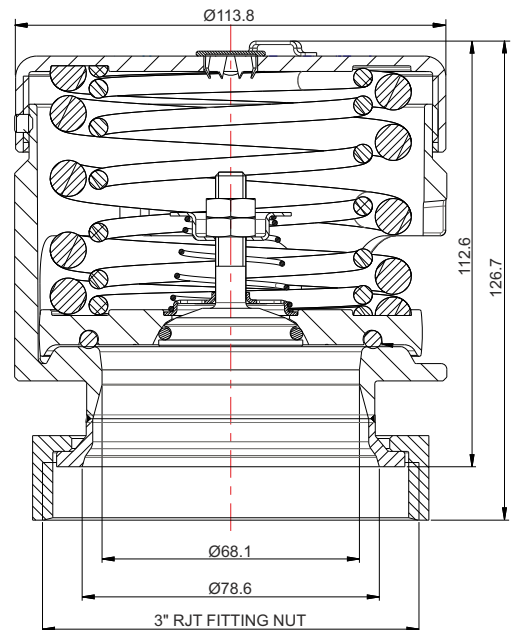
Part No.	Associated Parts
176/2550	80mm DIN11851 fitting socket
176/2685S	Silicone seal to suit 80mm DIN fittings
176/2900	Clamped gauze ring

## Fitting Details

**DIN11851 Connection**  
Part Number : 01M/XXXXX



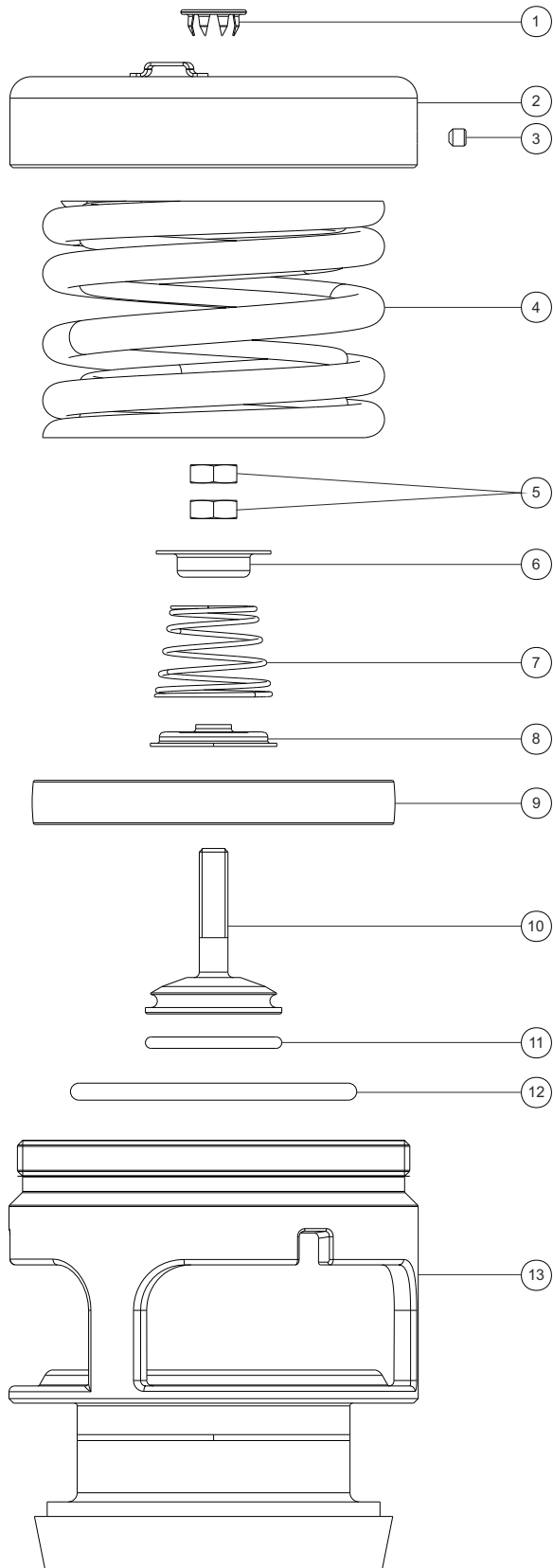
**Alternative Connection - 3" RJT**  
Part Number : 01J/XXXXX



Parts Drawing

DIN11851 Connection

Part Number : 01M/XXXXX



Item	Description	Part No.
1	Stainless steel plug	10978
2	Cap	1760/0005
3	Sockethead screw	5121-001
4	Pressure spring pair (See Note)	6104-XXX
5	M8 half nut (2)	5112-004
6	Vacuum spring pad	1860/0005
7	Vacuum spring (See Note)	7104-XXX
8	Spring pad	10986/3
9	Pressure plate (See Note)	1860/XXXX
10	Vacuum poppet (See Note)	10983X
11	Fortyt vacuum O ring (See Note)	5005-108H
12	Fortyt pressure O ring (See Note)	5005-101
13	80mm DIN11851 valve body	1860/0150

**NOTE :** Part number varies according to valve specification.