



1½" Twinact Relief Valve with 50mm DIN11851 connection - Suitable for a pressure range of between 1 - 64 PSI (0.07 - 4.41 Bar) and a vacuum range of between 0.5" - 28" Hg (0.02 - 0.94 bar). Contact parts manufactured in 316 stainless steel fitted with Fortyt (FEP encapsulated silicone O ring) seals as standard. Complete with manual vent button.

**Options** - Pressure only version. Valve also available with Viton seals. Other seal materials available, including high temperature option. Flameproof gauze available. Full range of BSP valves.

## Specification



Weight	0.96 Kg
Fortyt Seal Temperature Range	-55°C to +200°C
Viton Seal Temperature Range	-20°C to +200°C

In-house test certificates confirming valve settings and serial numbers are supplied as standard.

Visual inspection and service (where necessary) is recommended on a 6 monthly basis.

## Range



Part No.	Description
3M/XXXXX	50mm DIN11851 1½" Twinact, pressure/vacuum
3M/XXX00	50mm DIN11851 1½" Twinact, pressure only

## Associated Parts

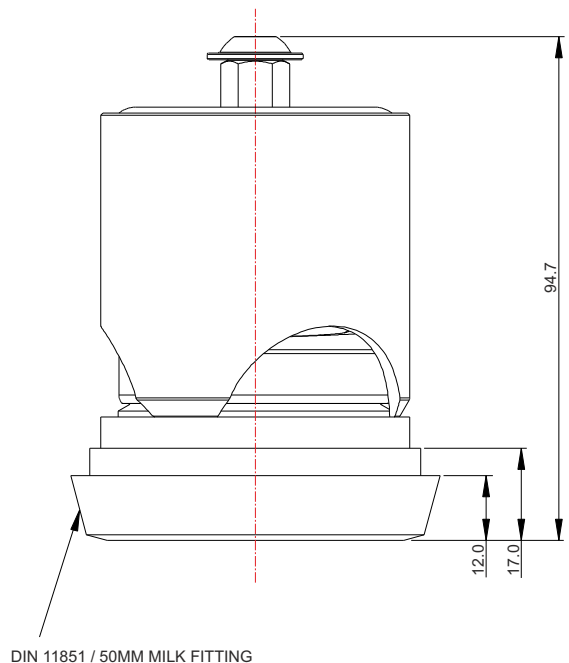
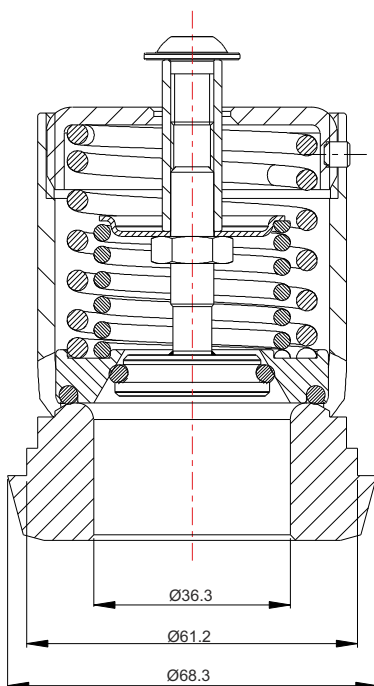


Part No.	Associated Parts
176/2660	50mm DIN11851 milk fitting socket
176/2670	50mm DIN11851 milk fitting nut
176/2675S	50mm DIN11851 silicone seal
200/5000	1½" clamped gauze ring

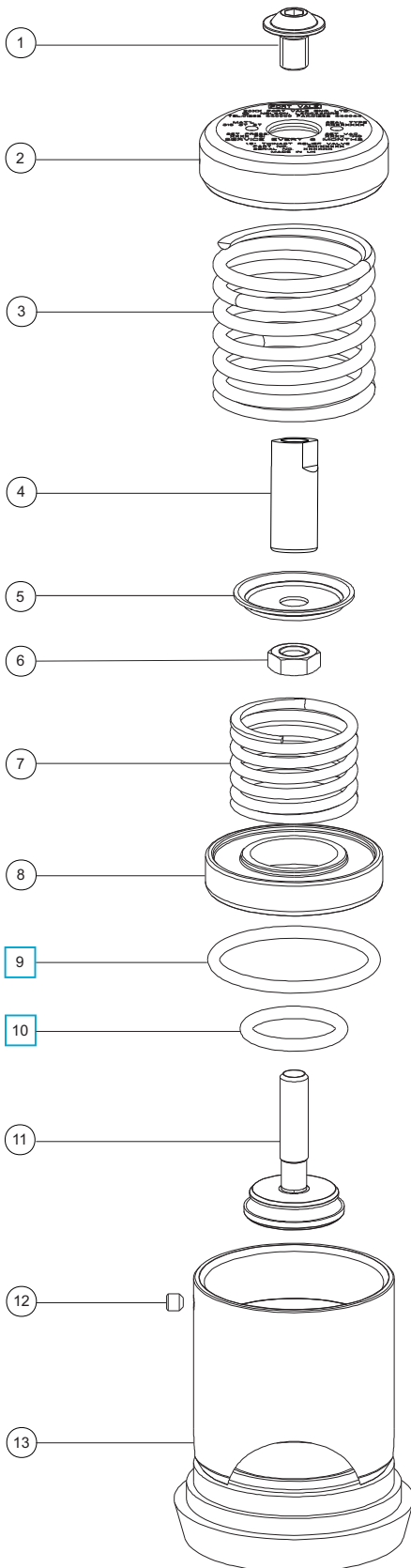
## Fitting Details



Example shown : 3M/XXXXX



## Parts drawing



Item	Description	Part No.
1	Flanged button screw	5111-9812
2	Top cap	11004
3	Pressure spring <b>See Table 1</b>	5104-XXX
4	Spring stem	10984
5	Spring pad	11006XX
6	M8 half nut	5112-004
7	Vacuum spring <b>See Table 2</b>	5104-XXX
8	Pressure plate <b>See NOTE</b>	11002XX
9	Pressure o ring <b>See Table 3 &amp; NOTE</b>	5005-XXX <input type="checkbox"/>
10	Vacuum o ring <b>See Table 3</b>	5005-XXX <input type="checkbox"/>
11	Vacuum poppet	11003
12	Grubscrew	5121-001
13	Body	10990

**SEAL KIT** - contains all parts marked

Part number **30/1PVSK** contains Fortyt O rings

Part number **30/0PVSK** contains Viton O rings

**NOTE** - Special tooling is necessary to peen a pressure O ring into a pressure plate. If you need a spare pressure O ring or pressure plate, we recommend that you order a pressure plate with a factory-fit O ring (**See Table 3**).

TABLE 1

Common Pressure Settings	Pressure Spring Part No
3 PSI (0.21 Bar)	5104-703
29 to 32 PSI (2.0 – 2.21 Bar)	5104-730

Pressure springs are available from 1 PSI (0.07 Bar) to 64 PSI (4.41 Bar)

TABLE 2

Common Vacuum Settings	Vacuum Spring Part No
0.5" Hg (0.02 Bar)	5104-760
1" Hg (0.03 Bar)	5104-761
3" Hg (0.10 Bar)	5104-765

Vacuum springs are available from 0.5"Hg (0.02 Bar) to 28"Hg (0.94 Bar)

TABLE 3 - See **NOTE**

Seal Material	Pressure O ring	Vacuum O ring
Fortyt	5005-118	5005-114
Viton	5005-110	5005-112

TABLE 4

Seal Material	Pressure plate with O ring
Fortyt	11002F
Viton	11002V



### C SPANNER - PART NUMBER 400/3000

For relief valve fitting and removal.

Size range 1¼" to 3".