



Photo shows 65B/XXXXX with manual vent button

**1" BSP Minnow IBC Relief Valve** - 1" BSP male connection. Suitable for a pressure range of between 1 - 45 PSI (0.07 - 3.10 Bar) and a vacuum range of between 0.5" - 7" Hg (0.02 - 0.24 Bar). Contact parts manufactured in 316 stainless steel fitted with Viton seals as standard. Complete with PTFE tank seal.

**Options** - pressure only version. Alternative seal materials available. Manual vacuum vent button option. Ventlock option. 1" BSP female connection available. 1" NPT version.

## Specification

Weight	0.2 Kg
Seal Temperature Range:	
Viton	-20°C to +200°C
Perfluoroelastomer	-15°C to +240°C
EPDM	-20°C to +150°C
Silicone	-20°C to +200°C

Operating Instructions available - OPIN05

Test certificates supplied as standard.

Visual inspection and service (where necessary) is recommended on a regular basis.

## Range

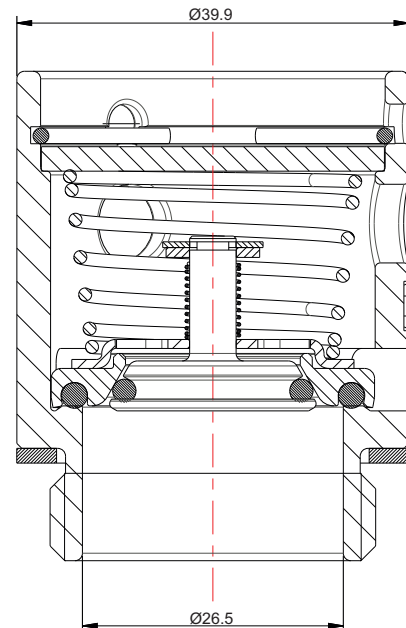
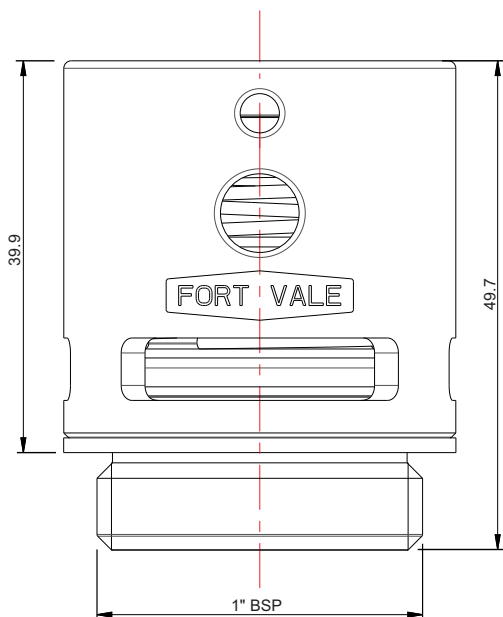
Part No.	Description
65/XXXXX	1" BSPM standard valve
65/XXXXXNPT	1" NPT standard valve
65B/XXXXX	1" BSPM valve with manual vent button
65BT/XXXXX	1" BSPM valve with manual vent button & TIR facility
68/XXXXX	1" BSPM valve with manual vent button & ventlock facility
66/XXXXX	1" BSPF standard valve
69/XXXXX	1" BSPF valve with manual vent button & ventlock facility

## Associated Parts

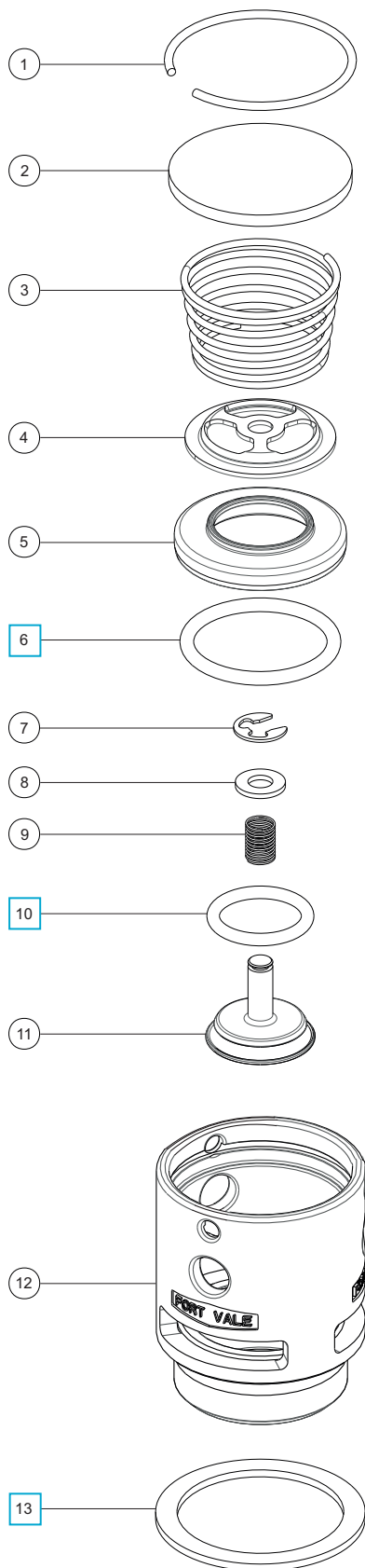
Part No.	Description
600/1025	1" tank weld-in socket
600/1026	1" tank weld-in nipple
179/0300	1" clamped type gauze ring

## Fitting Details

Example shown 65/XXXXX



## Parts drawing



Item	Description	Part No.
1	Retaining clip (below 10 PSI/0.69 Bar)	5120-015
	Retaining clip (above 10 PSI/0.69 Bar)	5120-021
2	Top cap	179/0010
3	Pressure spring <b>See Table 1</b>	5104-XXX
4	Poppet guide	179/0055
5	Pressure plate <b>See NOTE</b>	179/0040XX
6	Pressure o ring <b>See Table 3 &amp; NOTE</b>	5005-XXX <input type="checkbox"/>
7	Circlip	5120-002
8	Plain washer	5113-017
9	Vacuum spring <b>See Table 2</b>	5104-XXX
10	Vacuum o ring <b>See Table 3</b>	5005-XXX <input type="checkbox"/>
11	Vacuum poppet	179/0020
12	Body	179/0100
13	PTFE gasket	5005-553 <input type="checkbox"/>

### SEAL KIT

Part number **65/XPVSK** contains all parts marked   
(Part number varies according to seal material).

**NOTE** - Special tooling is necessary to peen a pressure O ring into a pressure plate. If you need a spare pressure O ring or pressure plate, we recommend that you order a pressure plate with a factory-fit O ring (See Table 4).

**TABLE 1**

Common Pressure Settings	Pressure Spring Part No.
3 PSI (0.21 Bar)	5104-653
6 PSI (0.41 Bar)	5104-656
9 PSI (0.62 Bar)	5104-659

Pressure springs are available from 1 PSI (0.07 Bar) to 45 PSI (3.10 Bar)

**TABLE 2**

Common Vacuum Setting	Vacuum Spring Part No.
1" Hg (0.03 Bar)	5104-671

Vacuum springs are available from 0.5"Hg (0.02 Bar) to 7"Hg (0.24 Bar)

**TABLE 3 - See NOTE**

Seal Material	Pressure Seal	Vacuum Seal
Viton	5005-552	20361
EPDM	5005-651	5005-652
Perfluoroelastomer	5005-585	5005-586
Silicone	5005-615	5005-614

**TABLE 4**

Seal Material	Pressure plate with o ring
Viton	179/0040VS
EPDM	179/0040ES
Perfluoroelastomer	179/0040PERS
Silicone	179/0040SS



1" BSP Minnow IBC Relief Valve - 1" BSP male connection. Suitable for a pressure range of between 1 - 45 PSI (0.07 - 3.10 Bar). Contact parts manufactured in 316 stainless steel fitted with Viton seals as standard. Complete with PTFE tank seal.

**Options** - combined pressure/vacuum version. Alternative seal materials available. Manual vent button option. Ventlock option. 1" BSP female connection available. 1"NPT version.

## Specification

Weight	0.18 Kg
Seal Temperature Range :	
Viton	-20°C to +200°C
Perfluoroelastomer	-15°C to +240°C
EPDM	-20°C to +150°C
Silicone	-20°C to +200°C

Operating Instructions available - OPIN05

Test certificates supplied as standard.

Visual inspection and service (where necessary) is recommended on a regular basis.

## Range

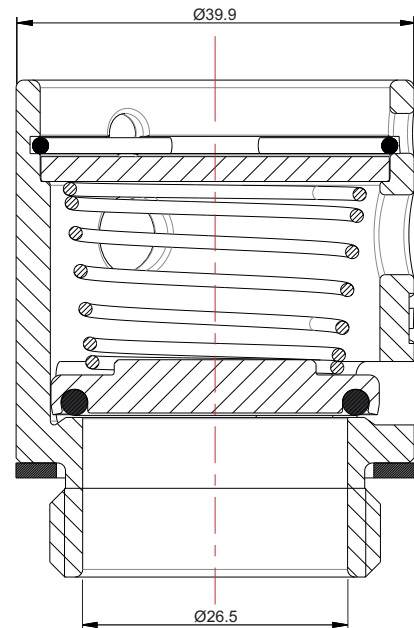
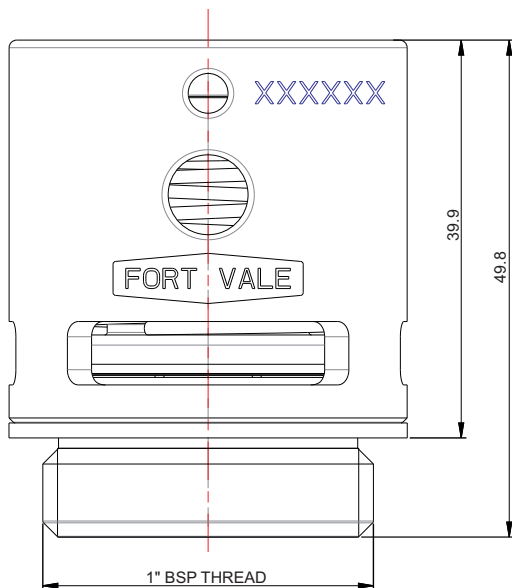
Part No.	Description
65/XXX00	1" BSPM standard valve
65/XXX00NPT	1" NPT standard valve
65B/XXX00	1" BSPM valve with manual vent button
65BT/XXX00	1" BSPM valve with manual vent button & TIR facility
68/XXX00	1" BSPM valve with manual vent button & ventlock facility
66/XXX00	1" BSPF standard valve
69/XXX00	1" BSPF valve with manual vent button & ventlock facility

## Associated Parts

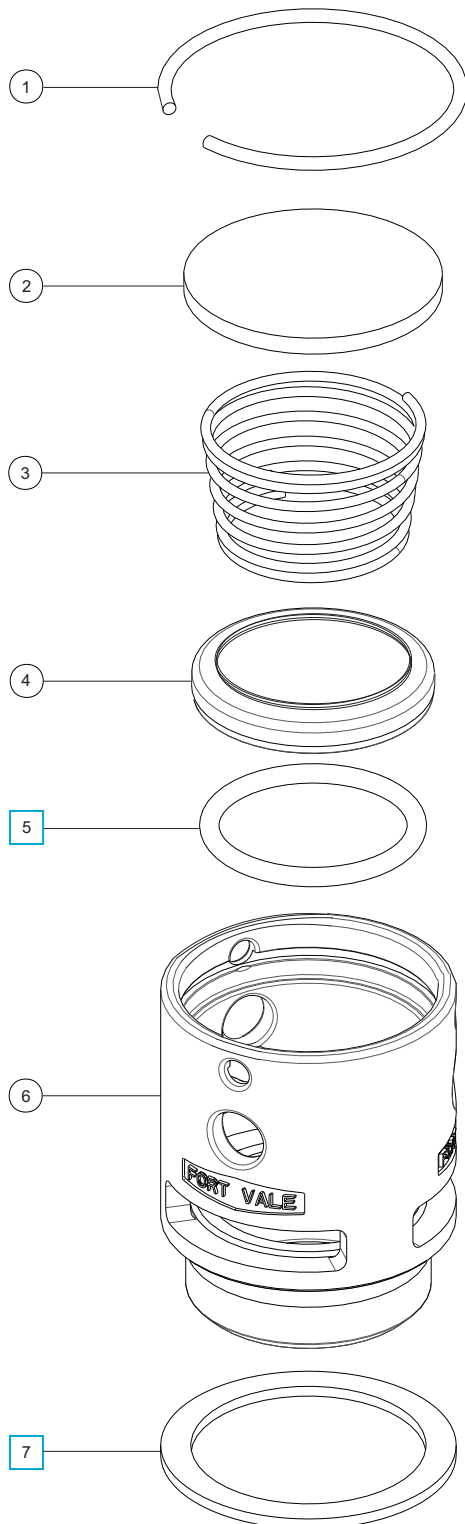
Part No.	Description
600/1025	1" tank weld-in socket
600/1026	1" tank weld-in nipple
179/0300	1" clamped type gauze ring

## Fitting Details

Example shown 65/XXX00



## Parts drawing

Item	Description	Part No.
1	Retaining clip (below 10 PSI/0.69 Bar)	5120-015
	Retaining clip (above 10 PSI/0.69 Bar)	5120-021
2	Top cap	179/0010
3	Pressure spring <b>See Table 1</b>	5104-XXX
4	Pressure plate <b>See NOTE</b>	179/0050XX
5	Pressure o ring <b>See Table 2 &amp; NOTE</b>	5005-XXX <input type="checkbox"/>
6	Body	179/0100
7	PTFE gasket	5005-553 <input type="checkbox"/>

### SEAL KIT

Part number **65/XPSK** contains all parts marked   
(Part number varies according to seal material).

**NOTE** - Special tooling is necessary to peen a pressure O ring into a pressure plate. If you need a spare pressure O ring or pressure plate, we recommend that you order a pressure plate with a factory-fit O ring (**See Table 2**).

**TABLE 1**

Common Pressure Settings	Pressure Spring Part No.
3 PSI (0.21 Bar)	5104-653
6 PSI (0.41 Bar)	5104-656
9 PSI (0.62 Bar)	5104-659
30 PSI (2 Bar)	5104-695

Pressure springs are available from 1 PSI (0.07 Bar) to 45 PSI (3.10 Bar)

**TABLE 2 - See NOTE**

Seal Material	Pressure o ring	Pressure plate with o ring
Viton	5005-552	179/0050VS
EPDM	5005-651	179/0050ES
Perfluoroelastomer	5005-585	179/0050PERS
Silicone	5005-615	179/0050SS



1" BSP Minnow Ventlock IBC Relief Valve - 1" BSP male connection. Suitable for a pressure range of between 1 - 9 PSI (0.07 - 0.62 Bar) and a vacuum range of between 0.5" - 7" Hg (0.02 - 0.24 Bar). Contact parts manufactured in 316 stainless steel fitted with Viton seals as standard. Complete with manual vent button, ventlock facility and PTFE tank seal.

The locking bracket can only be used at pressures of 9 PSI and below. For greater pressures, a valve without the locking bracket is required (See REL019 & REL020)

**Options** - Alternative seal materials available. 1" BSP Female thread connection available. 1" NPT version.

## Specification

Weight	0.2 Kg
Seal Temperature Range :	
Viton	-20°C to +200°C
Perfluoroelastomer	-15°C to +240°C
EPDM	-20°C to +150°C
Silicone	-20°C to +200°C

Test certificates supplied as standard.

Visual inspection and service (where necessary) is recommended on a 6 monthly basis.

## Range

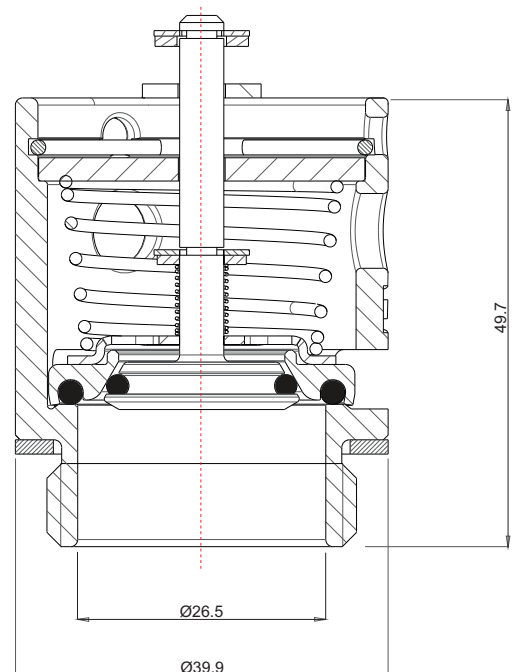
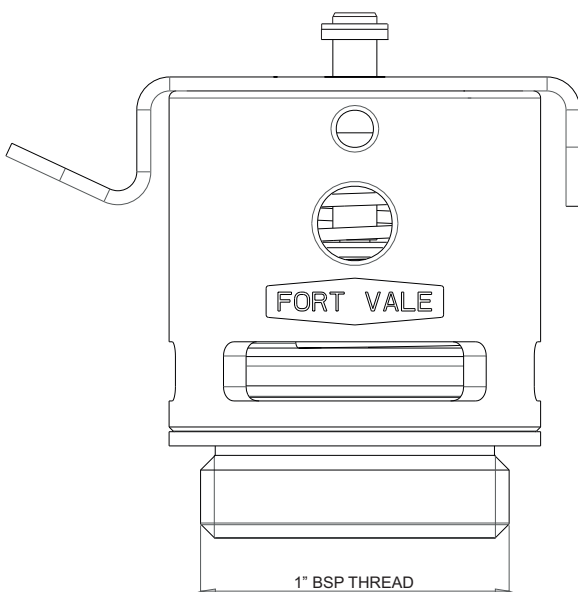
Part No.	Description
65/XXXXXX	1" BSPM standard valve
65/XXXXXXNPT	1" NPT standard valve
65B/XXXXXX	1" BSPM valve with manual vent button
65BT/XXXXXX	1" BSPM valve with manual vent button & TIR facility
68/XXXXXX	1" BSPM valve with manual vent button & ventlock facility
66/XXXXXX	1" BSPF standard valve
69/XXXXXX	1" BSPF valve with manual vent button & ventlock facility

## Associated Parts

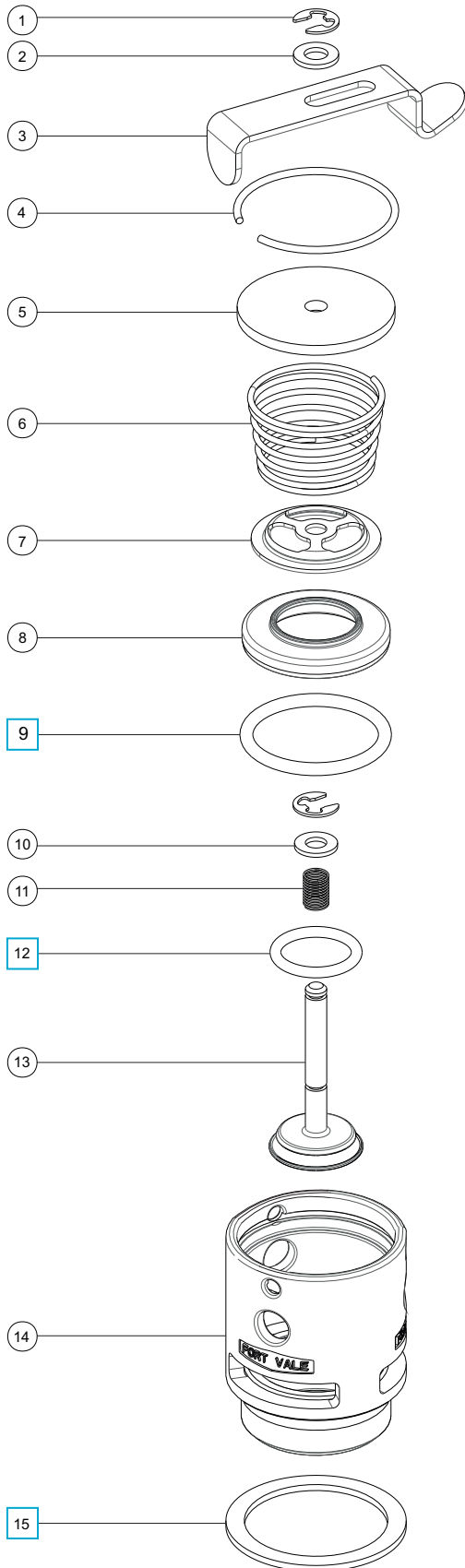
Part No.	Description
600/1025	1" Tank weld-in socket
600/1026	1" Tank weld-in nipple
179/0300	1" Clamped type gauze ring

## Fitting Details

Example shown 68/XXXXXX



## Parts drawing



Item	Description	Part No.
1	Circlip (2)	5120-002
2	Plain washer	5113-015
3	Locking bracket	179/0150
4	Retaining clip (below 20 PSI/1.38 Bar)	5120-015
5	Top cap	179/0060
6	Pressure spring <b>See Table 1</b>	5104-XXX
7	Poppet guide	179/0055
8	Pressure plate <b>See NOTE</b>	179/0040XX
9	Pressure o ring <b>See Table 3 &amp; NOTE</b>	5005-XXX <input type="checkbox"/>
10	Plain washer	5113-017
11	Vacuum spring <b>See Table 2</b>	5104-XXX
12	Vacuum o ring <b>See Table 3</b>	5005-XXX <input type="checkbox"/>
13	Vacuum poppet	179/0090
14	Body	179/0100
15	PTFE gasket	5005-553 <input type="checkbox"/>

### SEAL KIT

Part number **65/XPVSK** contains all parts marked  (Part number varies according to seal material).

**NOTE** - Special tooling is necessary to peen a pressure O ring into a pressure plate. If you need a spare pressure O ring or pressure plate, we recommend that you order a pressure plate with a factory-fit O ring (**See Table 4**).

**TABLE 1**

Common Pressure Settings	Pressure Spring Part No.
3 PSI (0.21 Bar)	5104-653
6 PSI (0.41 Bar)	5104-656
9 PSI (0.62 Bar)	5104-659

Pressure springs are available from 1 PSI (0.07 Bar) to 9 PSI (0.62 Bar)

### PLEASE NOTE!

The locking bracket can only be used at pressures of 9 PSI and below. For greater pressures, a valve without the locking bracket is required. (See REL019 & REL020)

**TABLE 2**

Common Vacuum Setting	Vacuum Spring Part No.
1" Hg (0.03 Bar)	5104-671

Vacuum springs are available from 0.5"Hg (0.02 Bar) to 7"Hg (0.24 Bar)

**TABLE 3 - See NOTE**

Seal Material	Pressure O ring	Vacuum O Ring
Viton	5005-552	20361
EPDM	5005-651	5005-652
Perfluoroelastomer	5005-585	5005-586
Silicone	5005-615	5005-614

**TABLE 4**

Seal Material	Pressure plate with o ring
Viton	179/0040VS
EPDM	179/0040ES
Perfluoroelastomer	179/0040PERS
Silicone	179/0040SS