



1½" BSP Twinact Relief Valve - 1½" BSP male connection. Suitable for a pressure range of between 1 to 64 PSI (0.07 to 4.41 Bar) and a vacuum range of between 0.5" to 28" Hg (0.02 to 0.94 Bar). Contact parts manufactured in 316 stainless steel fitted with Fortyt (FEP encapsulated silicone O ring) seals as standard. Complete with manual vent button and CNAF tank seal.

Options - pressure only version. 50mm DIN11851 connection for hygienic applications. Viton seal available. Other seal materials available. Clamped gauze ring available.

Specification

Weight	0.76 Kg
Fortyt seal Temperature Range	-55°C to +200°C
Viton seal Temperature Range	-20°C to +200°C

i Operating Instructions available - OPIN03

In-house test certificates confirming valve settings and serial numbers are supplied as standard.

Visual inspection and service (where necessary) is recommended on a regular basis.

Range

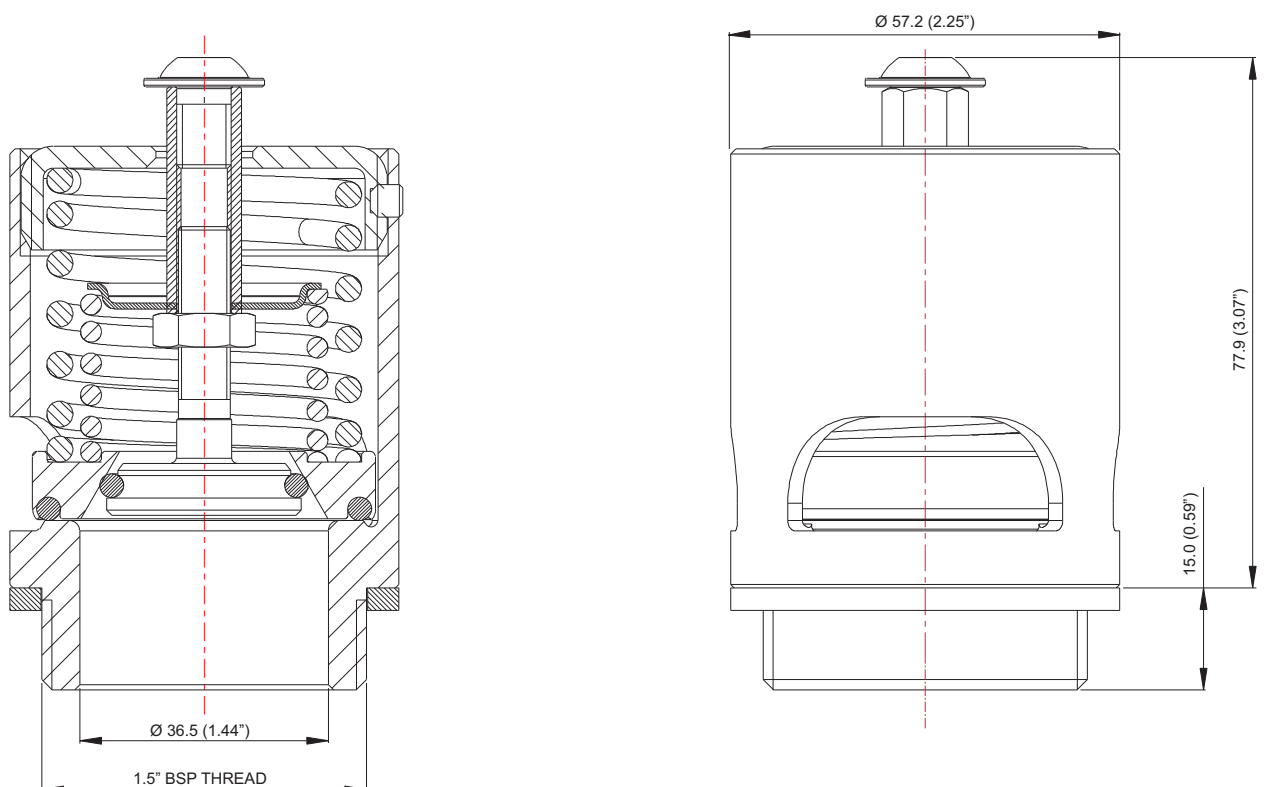
Part No.	Description
30/XXXXXX	Standard pressure/vacuum valve
30/XXXX00	Standard pressure only valve
3M/XXXXXX	1½" Twinact 50mm DIN11851 connection
30/XXXXXXH	1½" Twinact with Alloy C276 wetted parts

Associated Parts

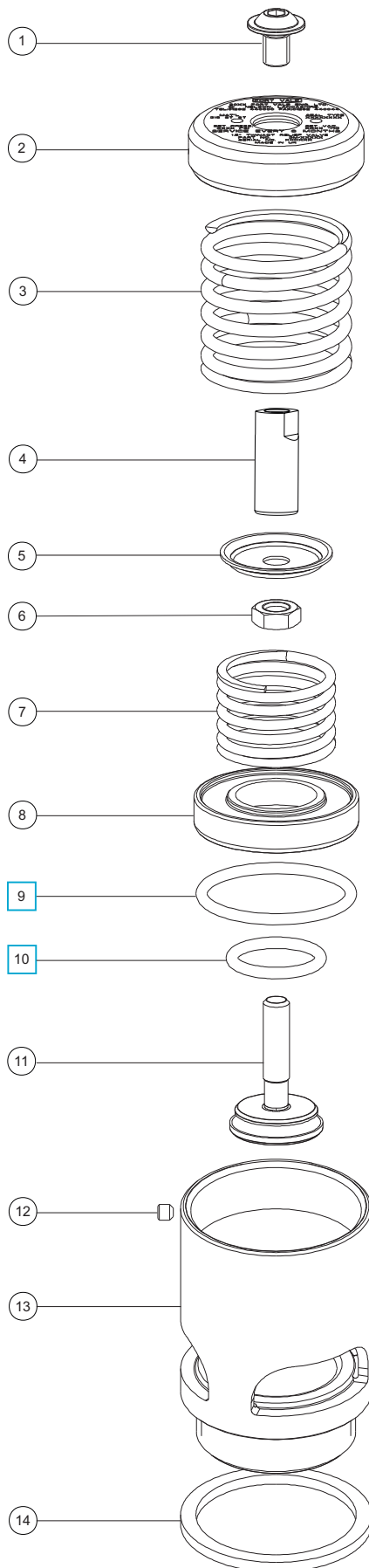
Part No.	Description
600/1010	1½" tank weld-in socket
200/5000	1½" clamped gauze ring
5005-012	PTFE tank seal

Fitting Details

Example shown : 30/XXXXXX



Parts drawing



Item	Description	Part No.
1	Flanged button screw	5111-9812
2	Top cap	11004
3	Pressure spring See Table 1	5104-XXX
4	Spring stem	10984
5	Spring pad	11006XX
6	M8 half nut	5112-004
7	Vacuum spring See Table 2	5104-XXX
8	Pressure plate See NOTE	11002X
9	Pressure O ring See Table 3 & NOTE	5005-XXX <input type="checkbox"/>
10	Vacuum O ring See Table 3	5005-XXX <input type="checkbox"/>
11	Vacuum poppet	11003
12	Grubscrew	5121-001
13	Body assembly	11001
14	CNAF tank seal	5005-011

SEAL KIT - contains all parts marked

Part number **30/1PVSK** contains Fortyt O rings

Part number **30/0PVSK** contains Viton O rings

NOTE - Special tooling is necessary to peen a pressure O ring into a pressure plate. If you need a spare pressure O ring or pressure plate, we recommend that you order a pressure plate with a factory-fit O ring (**See Table 4**).

TABLE 1

Common Pressure Settings	Pressure Spring Part No
3 PSI (0.21 Bar)	5104-703
29 to 32 PSI (2.0 – 2.21 Bar)	5104-730

Pressure springs are available from 1 PSI (0.07 Bar) to 64 PSI (4.41 Bar)

TABLE 2

Common Vacuum Settings	Vacuum Spring Part No
0.5" Hg (0.02 Bar)	5104-760
1" Hg (0.03 Bar)	5104-761
3" Hg (0.10 Bar)	5104-765

Vacuum springs are available from 0.5"Hg (0.02 Bar) to 28"Hg (0.94 Bar)

TABLE 3 - See NOTE

Seal Material	Pressure O ring	Vacuum O ring
Fortyt	5005-118	5005-114
Viton	5005-110	5005-112

TABLE 4

Seal Material	Pressure plate with O ring
Fortyt	11002F
Viton	11002V



C SPANNER - PART NUMBER 400/3000

For relief valve fitting and removal.

Size range 1¼" to 3".