

4" 45° Highlift Footvalve with Hydraulic Actuator - inlet flange drilled 8 x 18mm holes equi-spaced on a 210mm PCD (DIN125 PN10). Outlet flange drilled 8 x 18mm holes equi-spaced on a 180mm PCD (DIN100 PN10). Footvalve body with 'Superseat' (alloy 625) seating area. All other contact parts manufactured in 316 stainless steel, fitted with a Fortyt main seal. Fitted with a hydraulic actuator with 1/8" BSP connection.

**Options** - Manually operated version. A full range of 30°, 45° and 90° Highlift footvalves is available.

## Specification

Weight	18.7 Kg
<b>Valve Design Conditions:</b>	
Design Pressure (MAWP)	4 Bar (58 PSI)
Test Pressure	6 Bar (87 PSI)
Design Temperature	-40°C to 205°C (-40°F to 401°F)

Approved to EN14433

<b>Hydraulic Cylinder Design Conditions:</b>	
Design Pressure (MAWP)	200 Bar (2900 PSI)
Test Pressure	300 Bar (4350 PSI)
Design Temperature	-40°C to 100°C (-40°F to 212°F)

Operating Instructions available - OPIN55

## Range

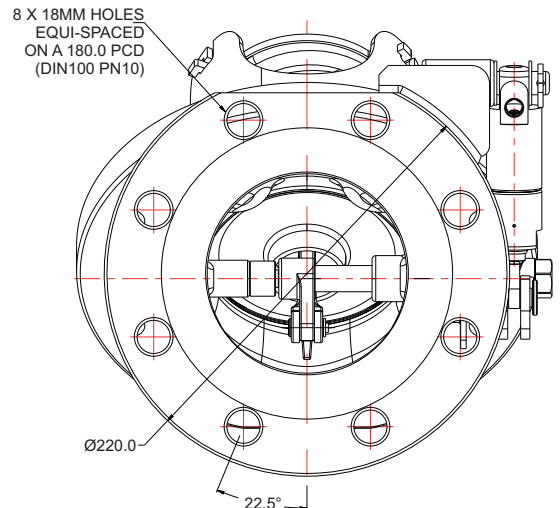
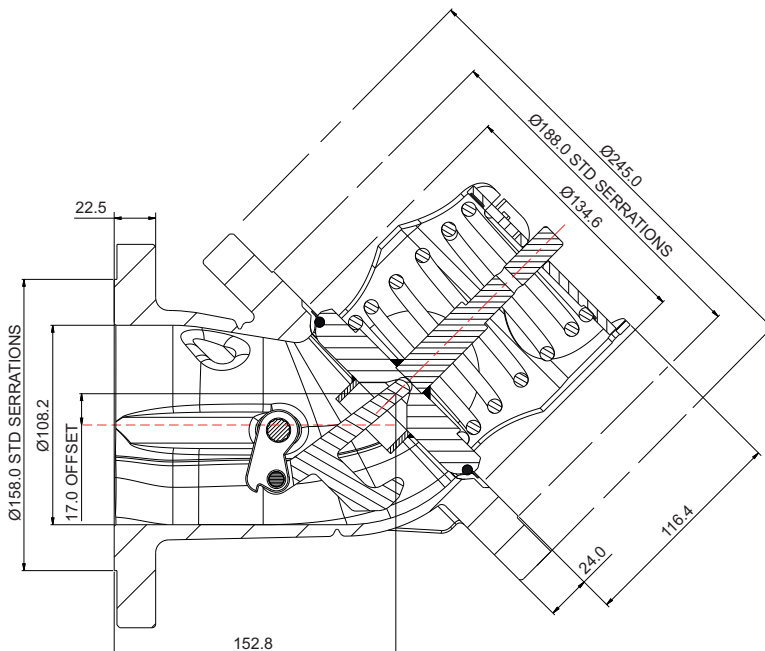
Part No.	Description
854/0170GS	4" 45° Highlift footvalve - hydraulically actuated
854/0000	4" 45° Highlift footvalve - manually operated

## Associated Parts

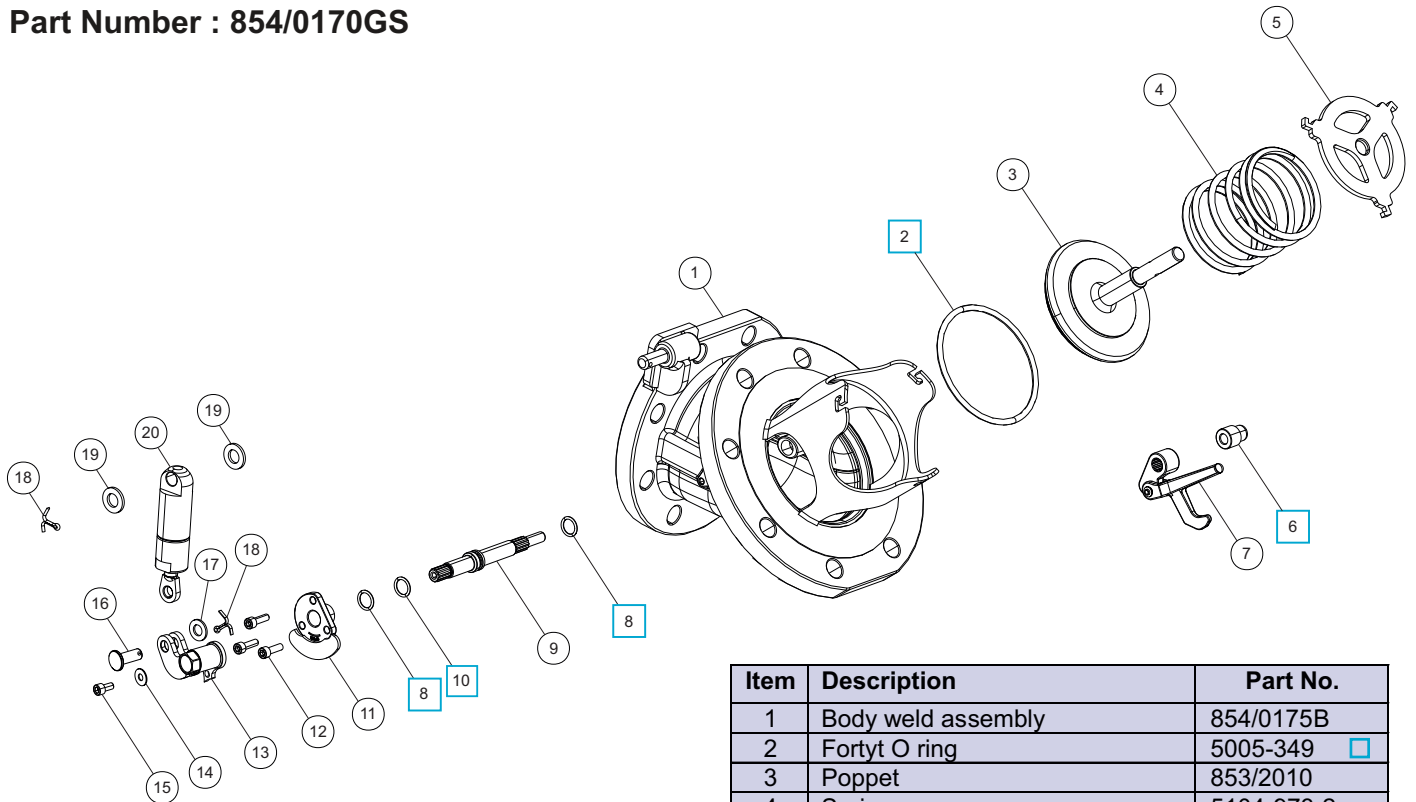
Part No.	Description
854/9000	Tank weld-in flange
5005-467	CNAF/PTFE inlet gasket
5005-437/1P1	Glass filled PTFE outlet gasket
854/3525	Outlet bolting kit

## Fitting Details

Part Number: 854/0170GS



**Parts drawing**

**Part Number : 854/0170GS**


Item	Description	Part No.
1	Body weld assembly	854/0175B
2	Fortyt O ring	5005-349 <input type="checkbox"/>
3	Poppet	853/2010
4	Spring	5104-973-2
5	Bayonet	854/2026
6	Crankshaft end bush	20362 <input type="checkbox"/>
7	Crank block and lifting finger	854/0300
8	PTFE O ring (2)	20363 <input type="checkbox"/>
9	Spindle	853/0010
10	Viton O ring	20361 <input type="checkbox"/>
11	Stuffing plate	854/0136
12	M6 cap screw (3)	5111-017
13	Crank arm	178/0261
14	Retaining washer	5113-039
15	M6 cap screw	5111-034
16	Cross pin	178/0259
17	M10 plain washer	5113-009
18	Split pin (2)	5220-008
19	M12 plain washer (2)	5113-006
20	Hydraulic cylinder	178/0260

**SEAL KIT**

 Part number **854/00SK** contains all parts marked