

150mm Reedley Hot Product Valve - suitable for discharge of bitumen and other heavy oils. Designed for mounting horizontally in the side of the vessel.

150mm inlet, 100mm weld prepared outlet. Manually operated via a handwheel. Complete with a fixed splash guard and a padlock security system. Contact parts manufactured in 304/316 stainless steel, spindle manufactured in 1.4462 duplex. Poppet seal manufactured in 25% glass filled PTFE. Handwheel assembly and outlet pipe machined with a shear groove to ensure that the valve stays closed in case of accidental impact.

Specification

Weight	65 Kg
Design Pressure (MAWP)	3.5 Bar (51 PSI)
Test Pressure	5.25 Bar (76 PSI)
Design Temperature Range	-20°C to 250°C (-4°F to 482°F)

Approved to BS EN14433.

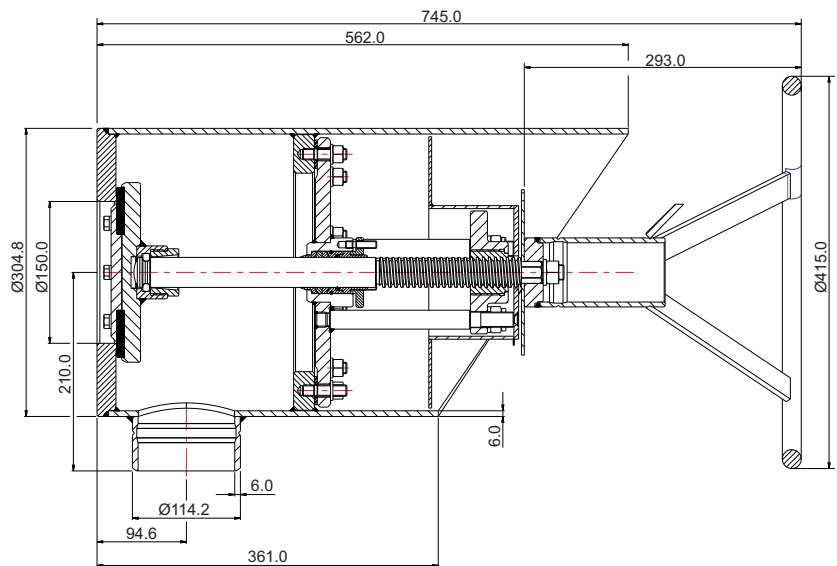
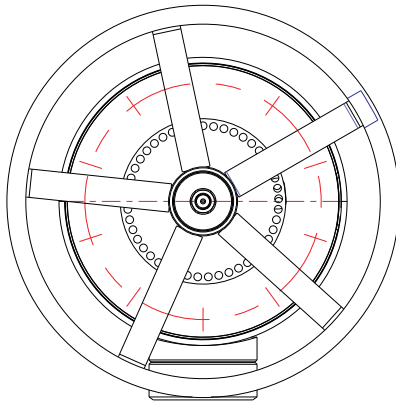
Associated Parts

Associated Parts	Part No.
100mm butterfly valve with congealing cargo closure plate - manually actuated	468/75HTB
100mm butterfly valve with congealing cargo closure plate - pneumatically actuated	468/75HTBPN

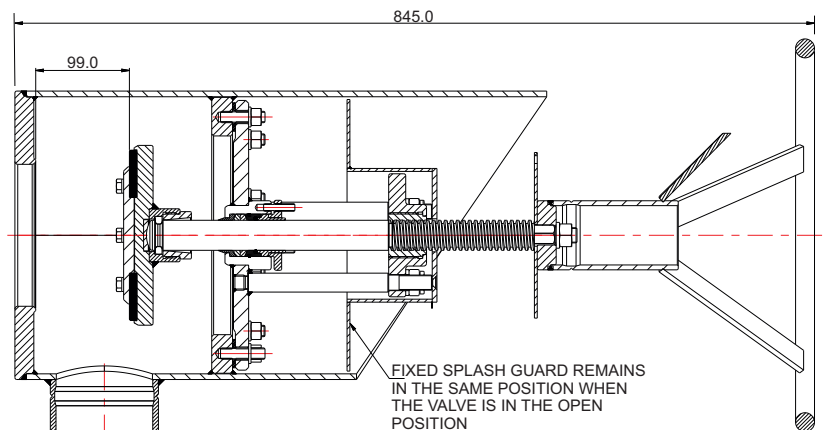
Fitting Details

Part Number: 262/2000

Valve shown in the CLOSED position

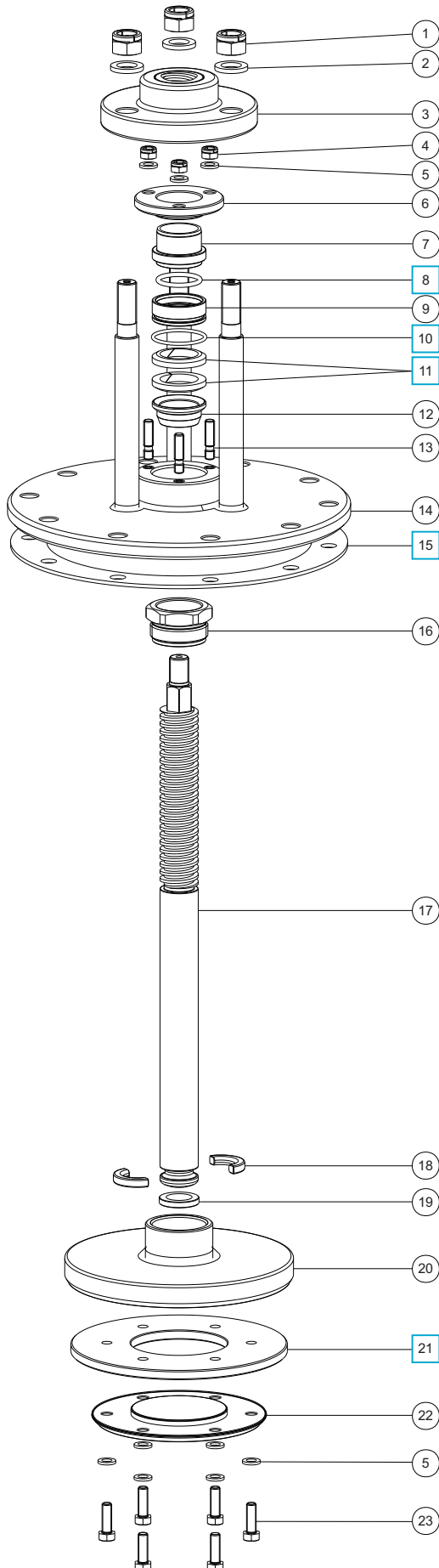


Valve shown in the OPEN position



Parts drawing

Part number: 262/2150 - Internal Assembly



Item	Description	Part No.
1	M16 self locking nut (3)	5112-053
2	M16 spring washer(3)	5113-012
3	Threaded flange assembly	262/1037
4	M8 self locking nut (3)	5112-031
5	M8 spring washer (9)	5113-003
6	Stuffing clamp	262/1035
7	Packing clamp bush	262/1051
8	Viton O ring	ORB218VR <input type="checkbox"/>
9	Wiper bearing	262/1052
10	Viton O ring	ORB129VR <input type="checkbox"/>
11	Gland packing (2)	262/1024 <input type="checkbox"/>
12	Wiper bearing	262/1049
13	M8 x 33mm stud (3)	S0396/10
14	Tie bar weld assembly	262/1059
15	Sigma gasket *See Note	262/1007 <input type="checkbox"/>
16	Stuffing nut	262/1033
17	Spindle	262/2003
18	Thrust bearing pair	262/1028
19	Thrust bearing	262/1027
20	Poppet	262/1013
21	Poppet seal disc	262/1026 <input type="checkbox"/>
22	Seal clamp plate	262/1025
23	M8 x 25mm hex bolt (6)	5111-048

Note: Item 15 Sigma gasket 262/1007 is not included in 262/2150 internal assembly and must be purchased separately.

SEAL KIT

Part number **262/20SK** contains all parts marked