

**3" 90° Cleanflow Footvalve** - inlet flange drilled 8 x 14mm holes equi-spaced on a 178mm PCD; outlet flange drilled 4 x 17mm holes equi-spaced on a 160mm PCD with flats milled top and bottom. Footvalve body with 'Superseat' (alloy 625) seating area. All other contact parts manufactured in 316 stainless steel with Fortyt O ring to main poppet as standard.

**Options** - Available with alloy C276 seating area or with a replaceable seat. Different outlet flange drillings and main seal materials are available. A steam-heated version with conical poppet is available for solidifying cargoes. We can offer valves with extended bodies and with pneumatic or hydraulic actuators. A full range of 30°, 45° and 180° Cleanflow footvalves is available.

## Specification

Weight	15 Kg *See Note
Design Pressure (MAWP)	4 Bar (58 PSI)
Test Pressure	6 Bar (87 PSI)
Design Temperature	-30°C to 200°C (-22°F to 392°F)

**Note:** Weight and dimensions vary according to valve specification.

To make sure that the tank stays sealed if an accident occurs, the valve body has a shear groove that is designed to fail so that the internal part of the valve stays closed and attached to the tank.

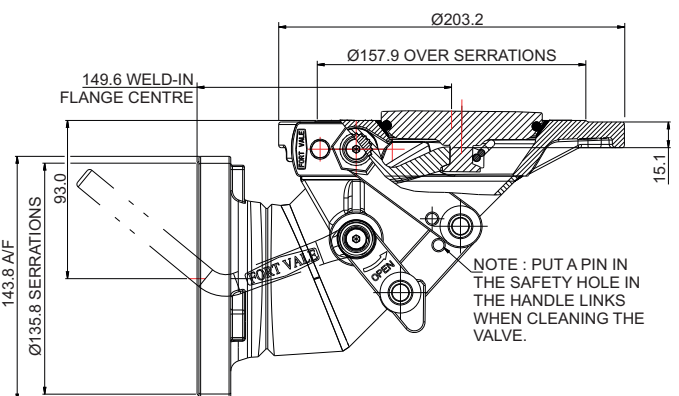
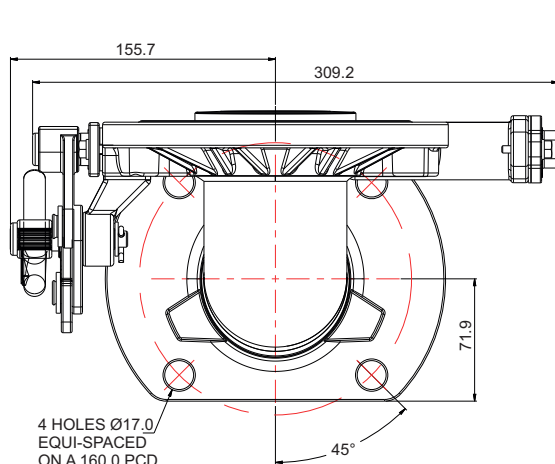
Comparison tests between the Cleanflow and the Highlift footvalves conclude that there is a 38% increase in flow and a 27% reduction in discharge time.

Design approval by Lloyds Register of Shipping.  
Approved to BS EN14433.

**i** Operating Instructions available - OPIN28 & OPIN47

## Fitting Details

Part Number : 844/3000A



## Range

Part No.	Specification
844/3000A	Std. body, manually operated
844/7400A	Extended body, manually operated
844/3080ASS	Std. body, pneumatically operated
844/7700ASS	Extended body, pneumatically operated, slotted outlet

## Associated Parts

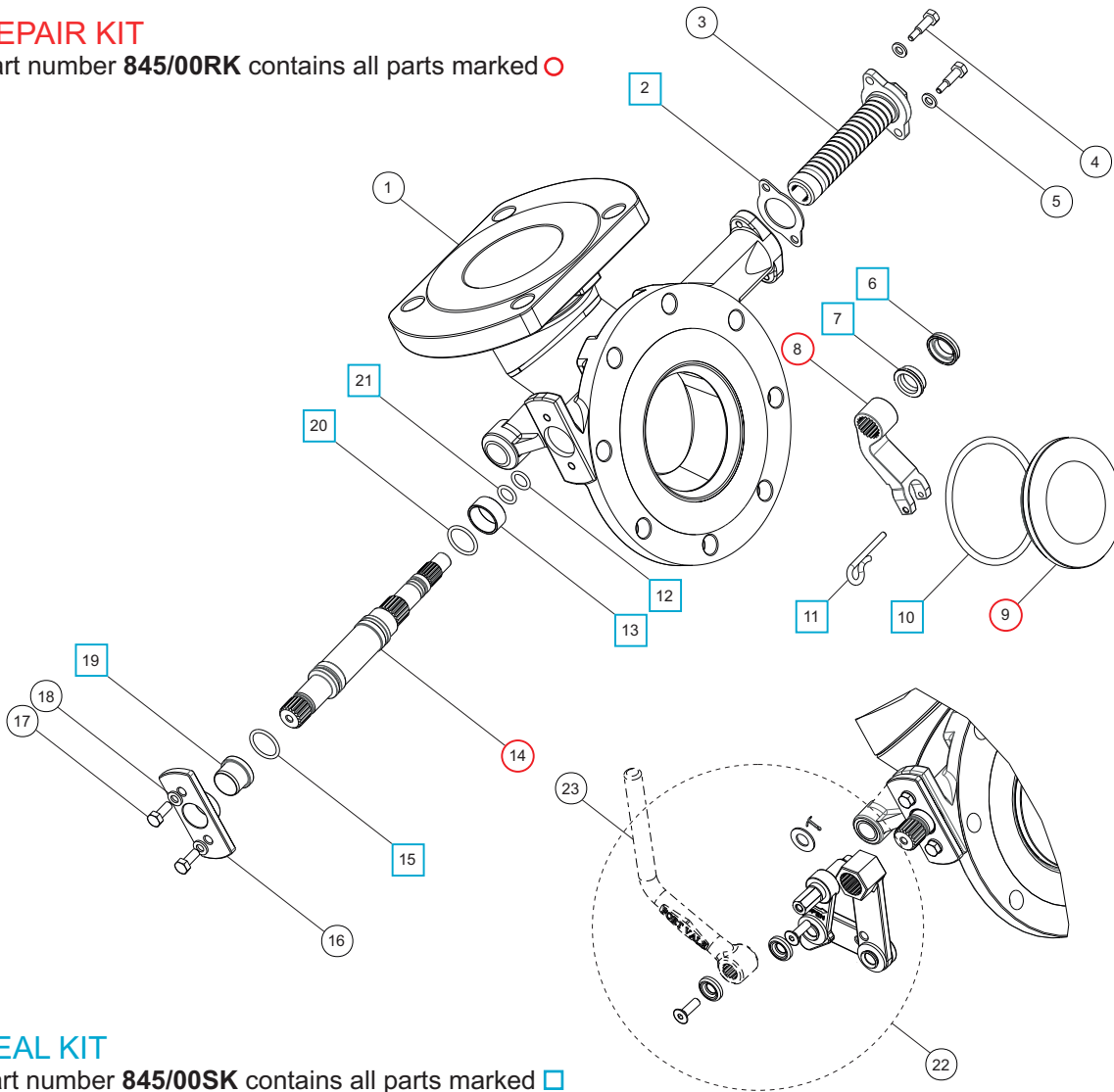
Associated Parts	Part No.
Tank pad	324/9000
Stud kit	845/2040
Bolting kit – 4 hole outlet	311/3000
Inlet gasket – 8 hole	5005-015
Outlet gasket	5005-049

**Parts drawing**



**REPAIR KIT**

Part number **845/00RK** contains all parts marked ○



**SEAL KIT**

Part number **845/00SK** contains all parts marked □

Item	Description	Part No.
1	Body	844/2075B
2	Spring boss gasket	5005-845 <span style="color: red;">○</span> <span style="color: blue;">□</span>
3	Spring assembly	845/0050
4	Clamp screw (2)	845/0017
5	Spring washer (2)	5113-008
6	Bush seal	845/0064 <span style="color: red;">○</span> <span style="color: blue;">□</span>
7	Seal energizer	845/0063 <span style="color: red;">○</span> <span style="color: blue;">□</span>
8	Lifting fork	845/0010 <span style="color: red;">○</span>
9	Poppet	845/0040 <span style="color: red;">○</span>
10	Fortyt O ring	5005-104 <span style="color: red;">○</span> <span style="color: blue;">□</span>
11	Retaining pin	845/0015 <span style="color: red;">○</span> <span style="color: blue;">□</span>
12	Perfluoroelastomer O ring	10133PHT <span style="color: red;">○</span> <span style="color: blue;">□</span>

Item	Description	Part No.
13	Spindle bearing	845/0062 <span style="color: red;">○</span> <span style="color: blue;">□</span>
14	Spindle	845/0200 <span style="color: red;">○</span>
15	Viton O ring	5005-336 <span style="color: red;">○</span> <span style="color: blue;">□</span>
16	Stuffing clamp	845/0016
17	Clamp bolt (2)	5111-022
18	Spring washer (2)	5113-008
19	Stuffing seal	845/0061 <span style="color: red;">○</span> <span style="color: blue;">□</span>
20	Perlast O ring	5005-384 <span style="color: red;">○</span> <span style="color: blue;">□</span>
21	PTFE O ring	5005-008 <span style="color: red;">○</span> <span style="color: blue;">□</span>
22	Handle linkage assembly	324/8910
23	Handle	T.B.A. *See Note



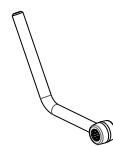
**SELF ADHESIVE DECAL**

Part No. 845/0320  
Text in English, German & French

Please see separate data sheet for details on remote closure kits

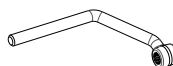
A detailed step-by-step repair manual is now available for our Cleanflow range of footvalves. Please contact our Sales team for further information.

**Note:** Please specify the style of handle required at the time of order.



**STANDARD CLEANFLOW HANDLE**

Part No. 324/8670



**STANDARD HIGHLIFT HANDLE**

Part No. 330/5010