



3" 30° MKIII Highlift Footvalve - inlet flange dual drilled 8 x 14mm holes equi-spaced on a 178mm PCD and 4 x 18mm holes equi-spaced on a 178mm PCD; outlet flange drilled 4 x 17mm holes equi-spaced on a 160mm PCD. Footvalve body with 'Superseat' (alloy 625) seating area. All other contact parts manufactured in 316 stainless steel with a Fortyt poppet O ring.

Options - Available with alloy C276 sealing area. A range of poppet O ring materials and outlet flange drillings is available. A steam-heated version is available for congealing cargoes. The Highlift range includes 30°, 45°, 90° and 180° options. A range of bolting kits and outlet gaskets is available.

Specification

Weight	8.6 Kgs *See Note
Design Pressure (MAWP)	4 Bar (58 PSI)
Hydraulic Test Pressure	6 Bar (87 PSI)
Design Temperature Range	-40°C to 200°C (-40°F to 392°F)

***Note:** Weight and dimensions vary according to the valve specification.

Approved to BS EN14433.

To make sure that the tank stays sealed if an accident occurs, the valve body has shear groove that is designed to break so that the internal part of the valve stays closed and attached to the tank.

Range

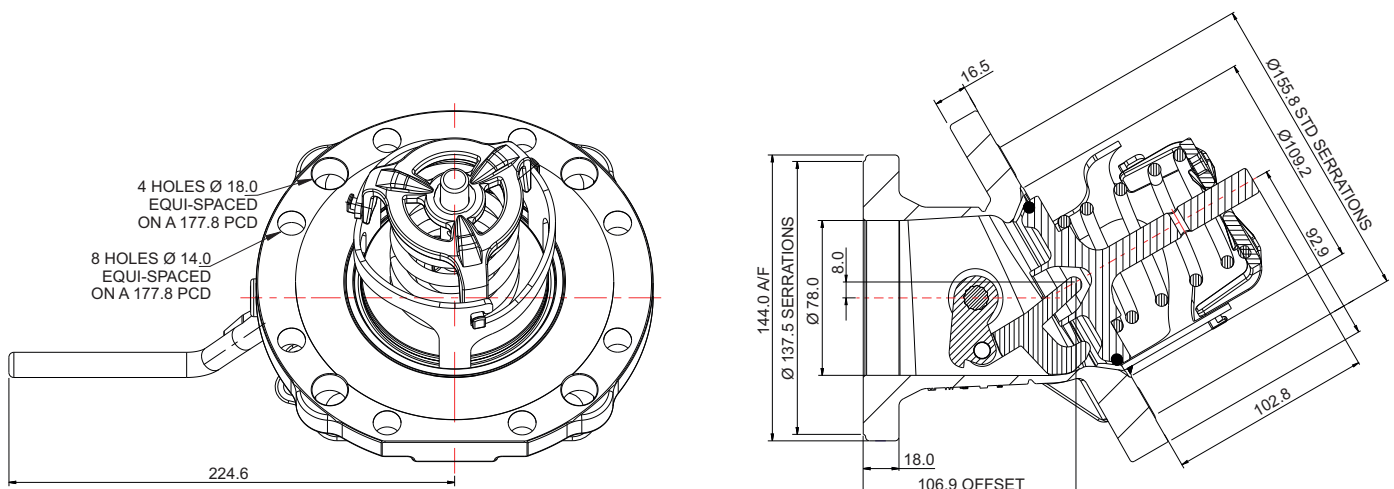
Part No.	Description
830/3000A	Superseat (alloy 625), 4 hole outlet
830/3000ASH	Steam heated. 8 hole inlet, 4 hole outlet

Associated Parts

Associated Parts	Part No.
Tank weld-in flange - 8 hole	324/9000
Stud kit to suit 8 hole inlet	324/2070
CNAF/PTFE inlet gasket - 8 hole	5005-015
Tank weld-in flange - 4 hole	341/001L
Stud kit to suit 4 hole inlet	311/3700
CNAF/PTFE inlet gasket - 4 hole	5005-032
CNAF/PTFE outlet gasket - undrilled	5005-049
CNAF/PTFE square outlet gasket - 4 hole	5005-195
Outlet bolting kit	368/1100

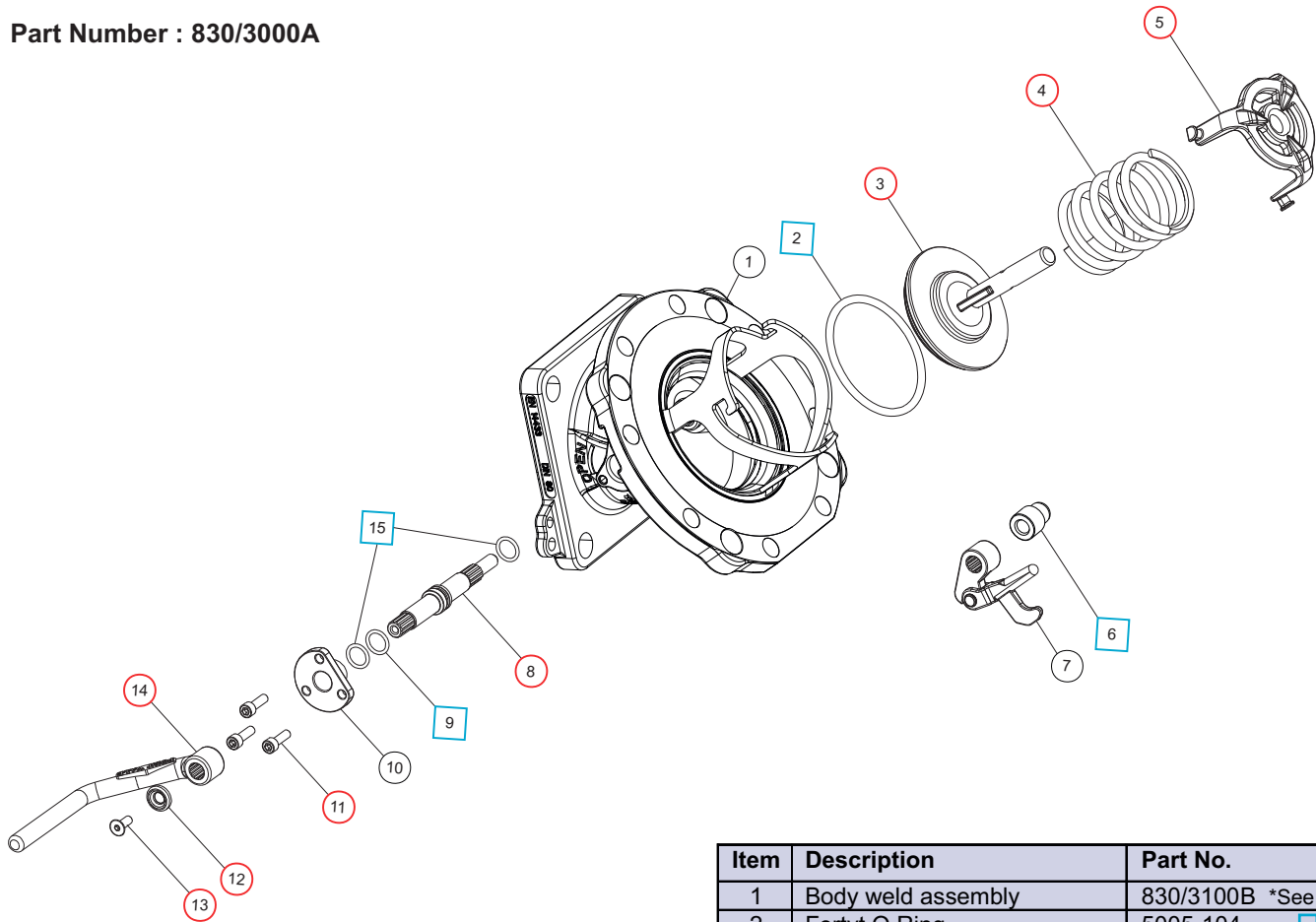
Fitting Details

Part Number : 830/3000A



Parts drawing

Part Number : 830/3000A

**SEAL KIT**

Part number **826/00SK**
Contains all parts marked

REPAIR KIT

Part number **826/00RKA**
Contains all parts marked

Item	Description	Part No.
1	Body weld assembly	830/3100B *See Note
2	Fortyt O Ring	5005-104
3	Solid poppet	324/2020
4	Spring	5104-971
5	Spring top plate	290/6104
6	PTFE crankshaft end bush	20362
7	Crank block assembly (30°)	821/0300
8	Spindle	821/0010
9	Viton O ring	20361
10	Stuffing clamp	324/1004
11	M6 x 20mm capscrew (3)	5111-017
12	Handle retaining washer	20370
13	Handle retaining screw	5111-030
14	Handle	330/5010
15	PTFE O ring (2)	20363

*Note: Part number varies according to valve specification

**SPINDLE & CRANK BLOCK ASSEMBLY - PART NO. 821/0200**

Includes spindle, crank block assembly, O rings and end bush
(Item nos. 6 7 8 9 & 15)

**SELF ADHESIVE DECAL - PART NO. 326/0300**

Text in English, German and French