

3" 45° MKIII Highlift Footvalve - inlet flange drilled 8 x 14mm holes equi-spaced on a 178mm PCD; outlet flange drilled 4 x 17mm holes on a 160mm PCD. Footvalve body with 'Superseat' (alloy 625) seating area. All other contact parts manufactured in 316 stainless steel. Fitted with a Forty poppet O ring.

Options - Available with alloy C276 seating area. A range of poppet O ring materials and outlet flange drillings is available. A steam-heated version is available for congealing cargoes. The Highlift range includes 30°, 45°, 90° and 180° options. A range of bolting kits and outlet gaskets is available.

Specification

Weight	8.9 Kgs *See Note
Design Pressure (MAWP)	4 Bar (58 PSI)
Hydraulic Test Pressure	6 Bar (87 PSI)
Design Temperature Range	-40°C to 200°C -40°F to 392°F

Note: Weight and dimensions vary according to the valve specification.

To make sure that the tank stays sealed if an accident occurs, the valve body has a shear groove that is designed to break so that the internal part of the valve stays closed and attached to the tank.

Design approval by Lloyds Register of Shipping
Approved to EN14433:2006

Range

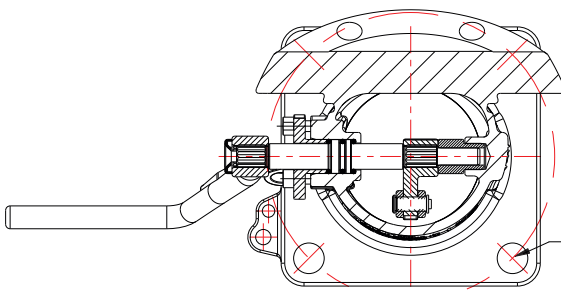
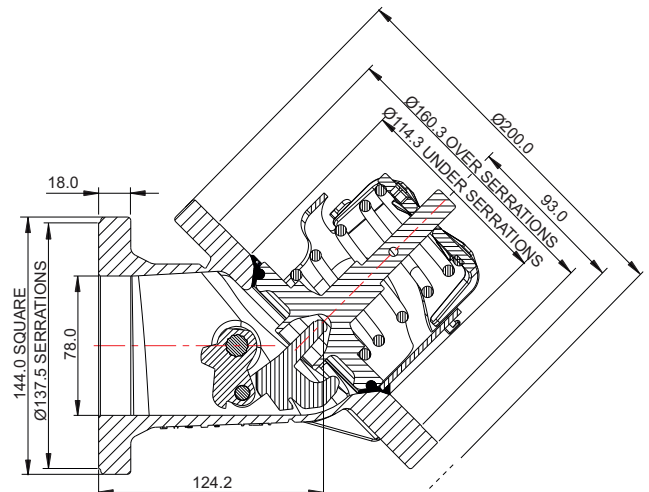
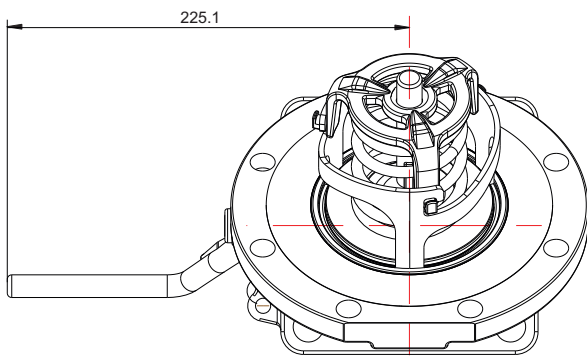
Part No.	Description
826/1200A	Superseat (alloy 625), 4 hole outlet
826/1200AHS	Alloy C276 seat, 4 hole outlet

Associated Parts

Associated Parts	Part No.
Tank pad	324/9000
Stud kit	324/2070
Standard bolting kit – 4 hole outlet	311/3500
8 hole inlet gasket – CNAF/PTFE	5005-015
Standard outlet gasket – CNAF/PTFE	5005-049

Fitting Details

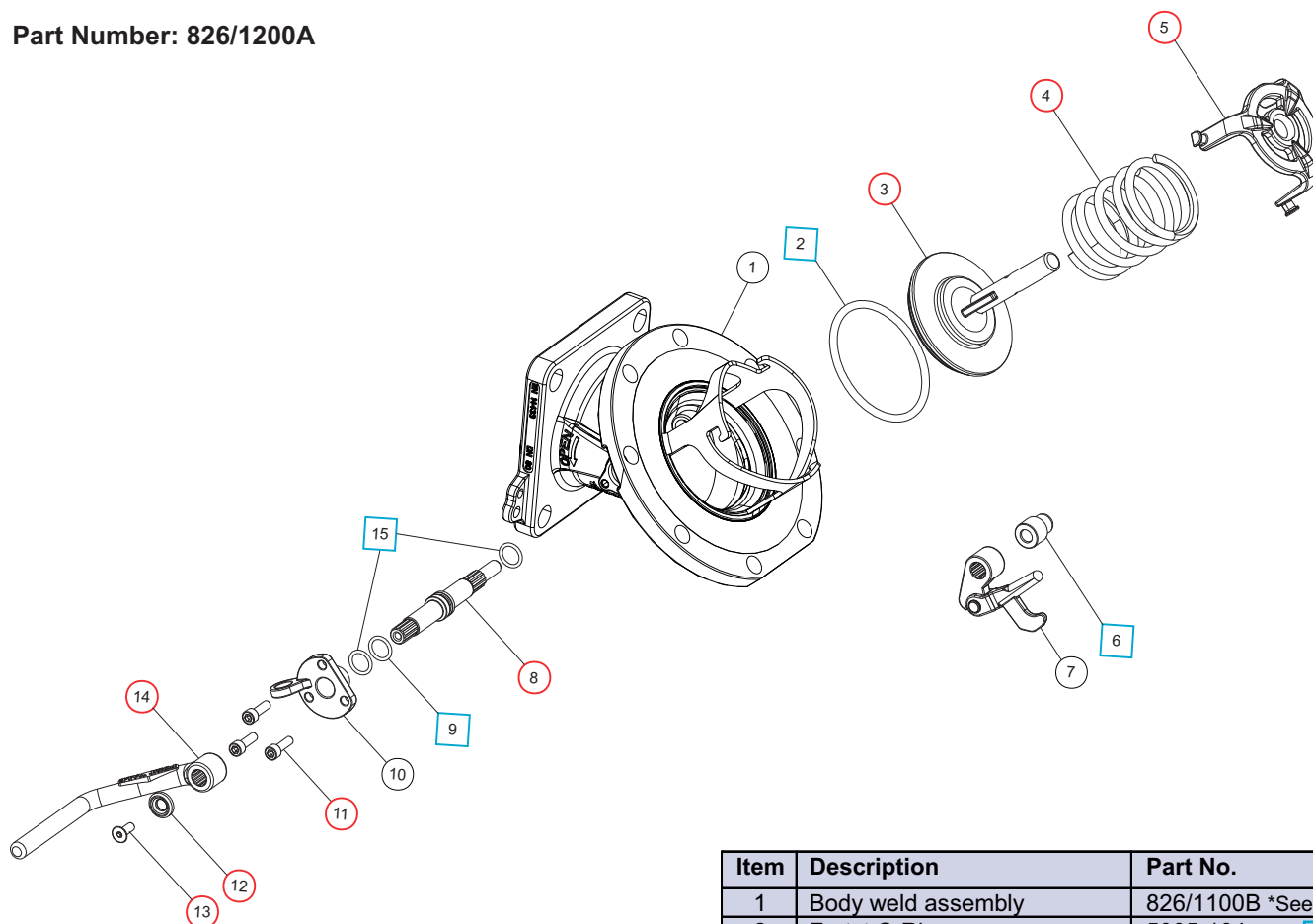
Part Number : 826/1200A



4 HOLES Ø17.0
EQUI-SPACED ON
A 160.0 PCD

Parts drawing

Part Number: 826/1200A



SEAL KIT

Part number **826/00SK**
Contains all parts marked

REPAIR KIT

Part number **826/00RKA**
Contains all parts marked

Item	Description	Part No.
1	Body weld assembly	826/1100B *See Note
2	Fortyt O Ring	5005-104
3	Solid poppet	324/2020
4	Spring	5104-971
5	Spring top plate	290/6104
6	PTFE crankshaft end bush	20362
7	Crank block assembly	821/0300
8	Spindle	821/0010
9	Viton O ring	20361
10	Stuffing clamp	324/1001
11	M6 capscrew (3)	5111-017
12	Handle retaining washer	20370
13	Handle retaining screw	5111-030
14	Handle	330/5010
15	PTFE O ring (2)	20363

Note: Part number varies according to valve specification



SPINDLE & CRANK BLOCK ASSEMBLY - PART NO. 821/0200

Includes spindle, crank block assembly, O rings and end bush
(Item nos. 6 7 8 9 & 15)



SELF ADHESIVE DECAL - PART NO. 326/0300

Text in English, German and French

Please see separate data sheet for details on remote closure kits

A detailed step-by-step repair manual is available for our Highlift range of footvalves. Please contact our Sales team for further information.