



3" 90° Tankstream Footvalve - 3" to 3" 90° footvalve assembly. Inlet flange drilled 12 x 14mm holes on a 6.25" PCD. 6 inlet holes are plugged with a plastic plug. Outlet flange drilled 8 x 10.5mm holes on a 124mm PCD. Contact parts manufactured in 316 stainless steel with Fortyt or Viton O ring.

Options - 3" to 2" footvalve assembly version.

Specification

Weight	7.5 Kg
Design Pressue (MAWP)	4 Bar (58 PSI)
Service Test Pressure	6 Bar (87 PSI)
Design Temperature Range	-20°C to +200°C -4°F to +392°F

Range

Part No.	Description
28F/0000F	3" to 3" footvalve with Fortyt seal
28F/0000V	3" to 3" footvalve with Viton seal

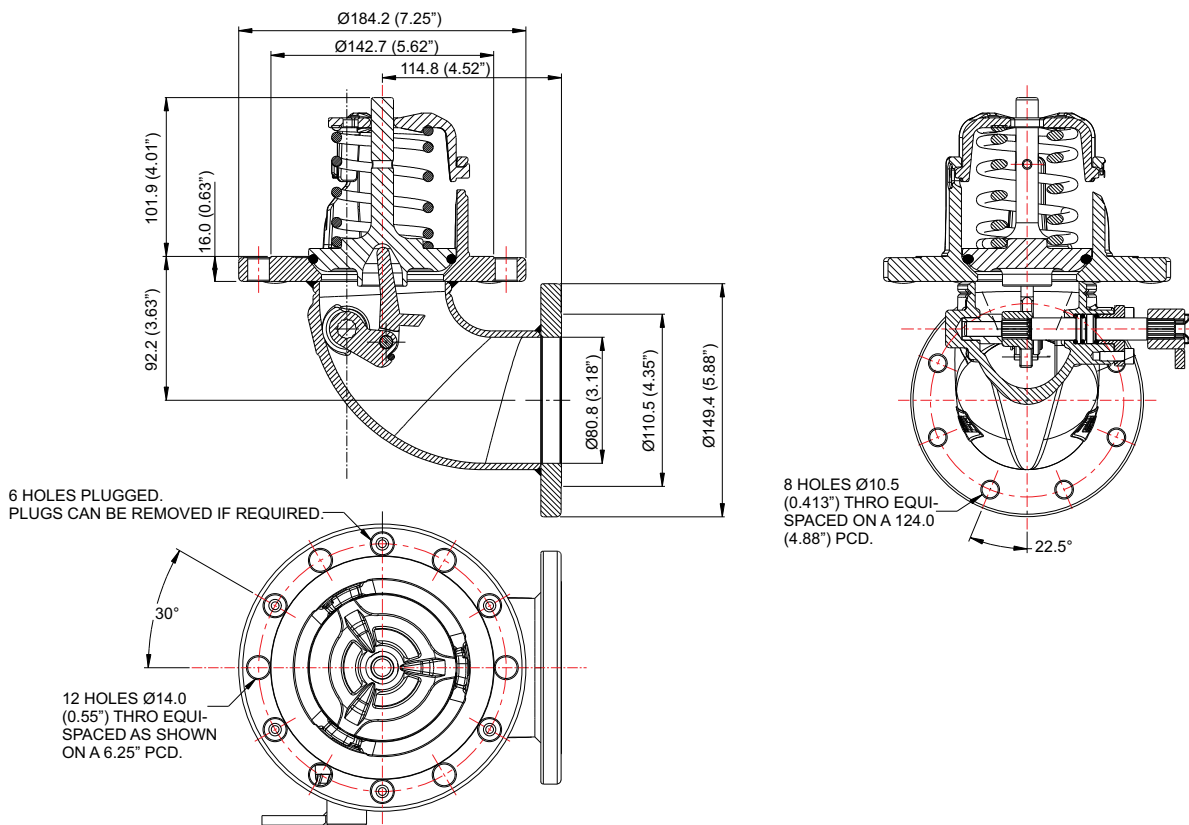
Associated Parts

Part Number	Description
11954/S	Tank weld in flange
290/1300	M12 stud kit
5005-016	Tank to footvalve PTFE gasket
299/7116	3" TTMA mating flange
5005-445	Outlet gasket

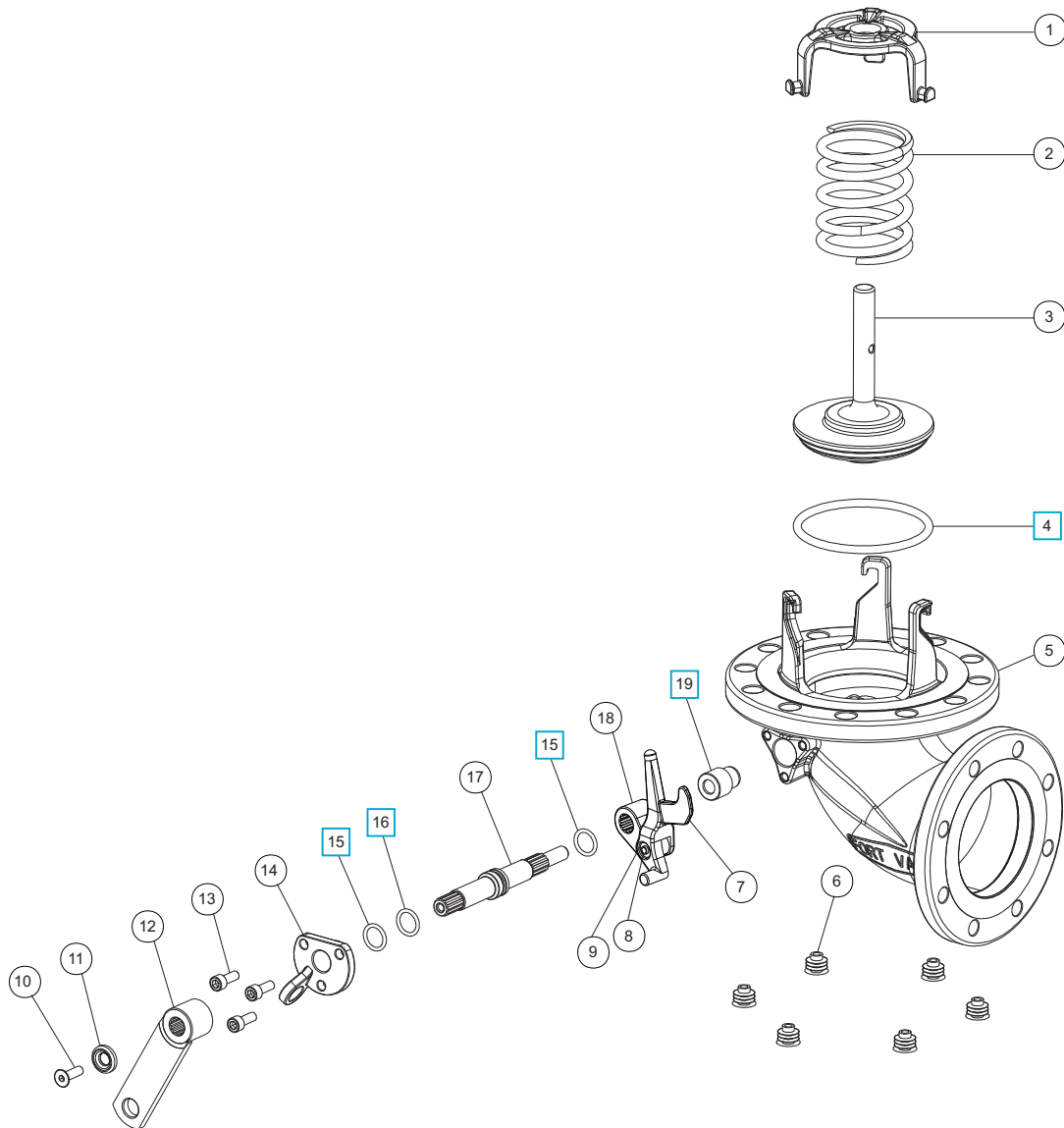
To ensure that the tank remains sealed in the event of an accident, the valve body incorporates a shear groove, designed to fail in such a way as to leave the internal part of the valve closed and attached to the tank body.

Fitting Details

Part Number : 28F/0000X



Parts drawing



Item	Description	Part No.
1	Spring top plate	290/6104
2	Closure spring	5104-971
3	Solid poppet	324/2020
4	Fortyt O ring *See Note	5005-104 <input type="checkbox"/>
5	3" to 3" footvalve body assembly	28F/0003
6	Plastic plug (6)	5028-227
7	Lifting finger	821/0056
8	Pivot pin	821/0034
9	Plain washer	5113-015
10	Countersunk bolt	5111-019

Item	Description	Part No.
11	Retaining washer	20370
12	Crank arm	20607
13	Capscrew (3)	5111-017
14	Stuffing clamp	324/1001
15	PTFE O ring (2)	20363 <input type="checkbox"/>
16	Viton O ring	20361 <input type="checkbox"/>
17	Spindle	821/0010
18	Crank block	821/0025
19	Crankshaft end bush	20362 <input type="checkbox"/>

***Note:** Part number varies according to specification.

SEAL KIT

Part number **826/00SK** contains all parts marked