



1½" Sampling Valve Assembly - comprising: 1½" 90° footvalve - inlet flange drilled 6 x 14mm holes equi-spaced on a 114.3mm PCD; right hand operated extended handle; outlet reducing to ¾" NB pipe terminating with a ¾" ball valve fitted with a ¾" BSP check cap. Contact parts manufactured in 316 stainless steel and Viton main seals.

Options - length of assembly can be manufactured to suit customer requirements, from a minimum of 200mm. ¾" and 1" reduced outlet options. Assembly can be terminated with different options .

## Specification

Weight	8.2 Kg *NB
Design Pressure (MAWP)	4 Bar (58 PSI)
Test Pressure	6 Bar (87 PSI)
Design Temperature Range	-20°C to 125°C (-4°F to 257°F)

\*NB: Weight varies according to specification.

 Operating Instructions available - OPIN58

## Associated Parts

Part No.	Associated Parts
20594/T	Tank weld-in flange
5005-050	CNAF/PTFE envelope gasket
290/1300	Stud kit

## Range

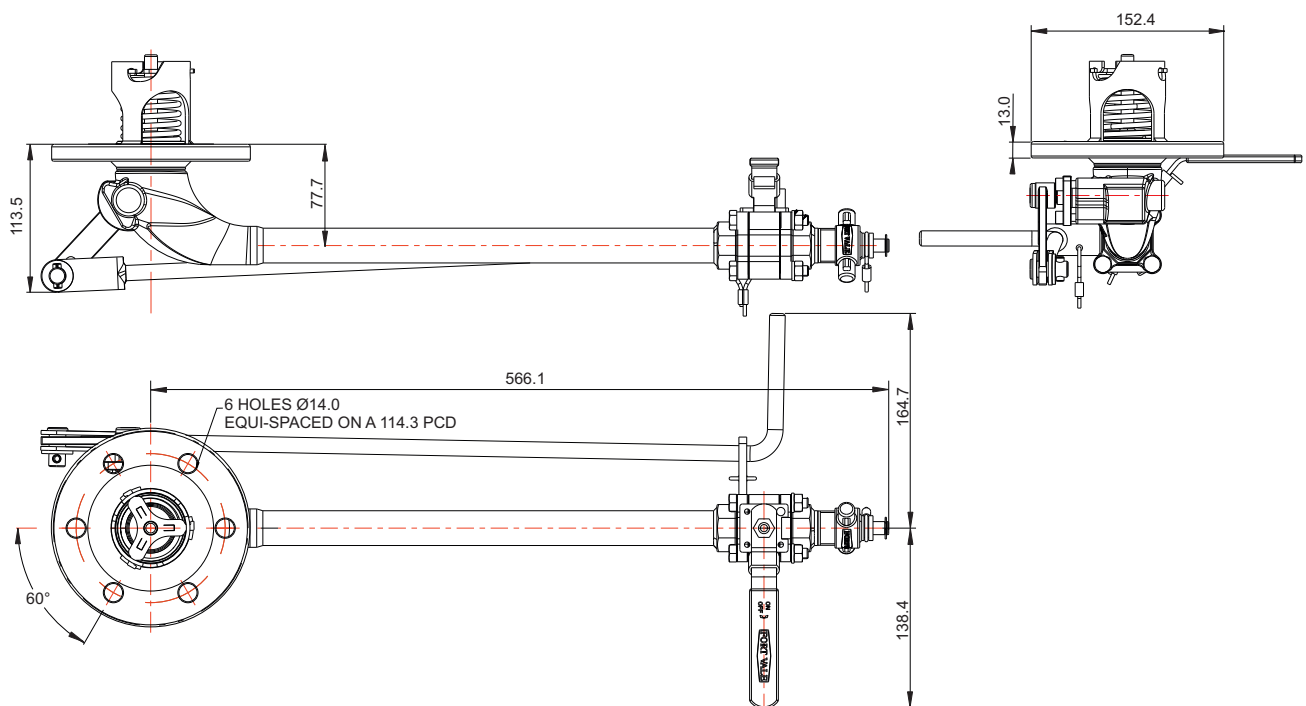
Part No.	Length*	Options
338/2850	300 mm	¾" reduced outlet, 90° elbow
338/2800	567 mm	¾" reduced outlet
338/2900	780 mm	¾" reduced outlet, 90° elbow

**Length\*** - this dimension refers to the overall length of the assembly from the footvalve inlet centre line to the end of the outlet assembly, including the cap (where fitted).

All the above options comprise of a 90° footvalve with sampling ball valve. Please refer to the '**Options**' information above as these assemblies can be manufactured to suit customer requirements.

## Fitting Details

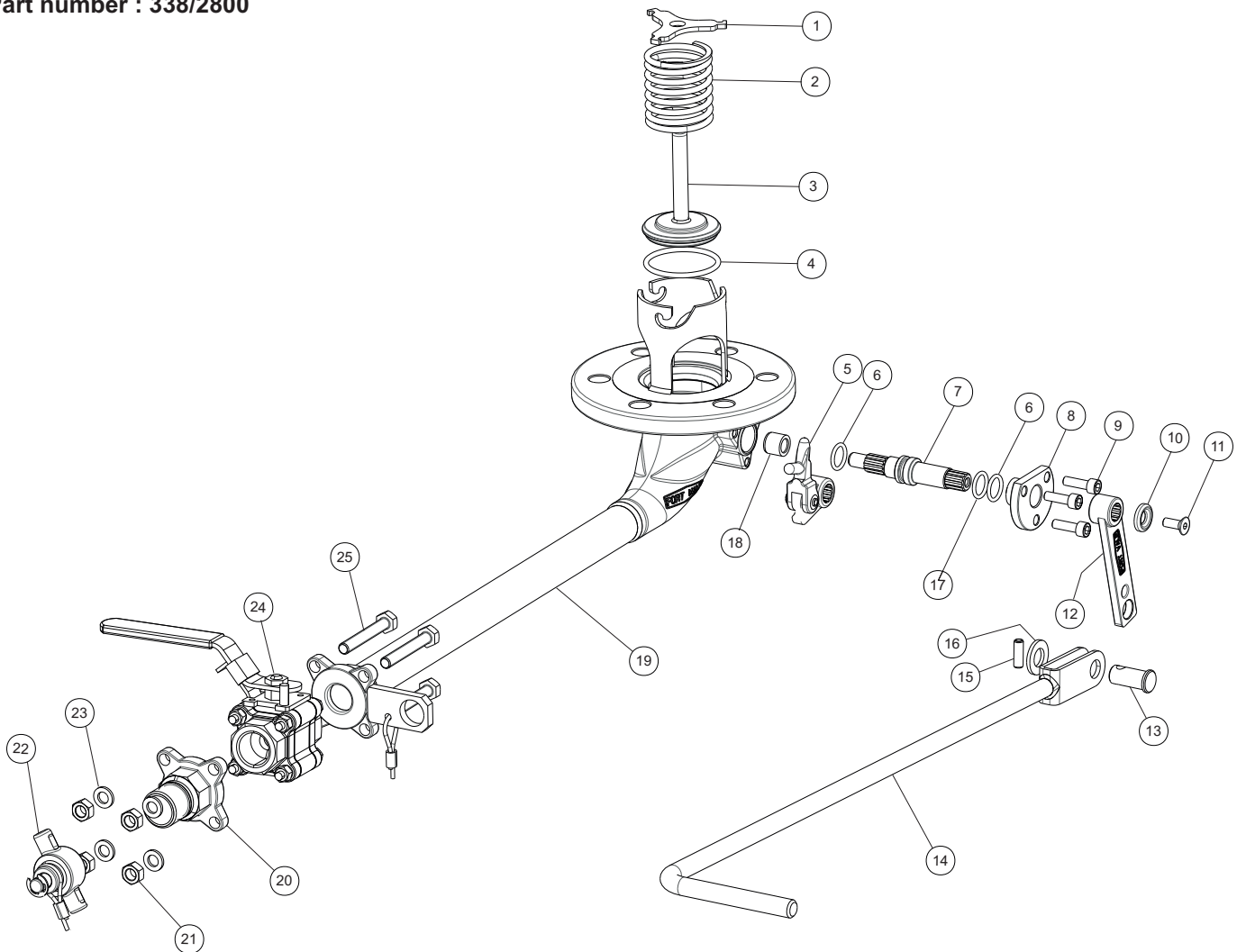
Example shown : 338/2800



## Fitting Details



Part number : 338/2800



Item	Description	Part No.	
1	Bayonet cap	338/2153	○
2	Spring	5104-718	○
3	Poppet weld assembly	337/0010AF	○
4	Viton O Ring	5005-172	□ ○
5	Crank block	821/0050	
	Lifting finger	821/0049	
	Pivot pin	821/0034	
	Washer	5113-015	
6	PTFE O Rng (2)	20363	□ ○
7	Crank shaft	821/0013	○
8	Stuffing clamp	324/1004	
9	M6 socket capscrew (3)	5111-017	○
10	Retaining washer	20370	○
11	M6 countersunk bolt	5111-030	○
12	Splined handle	338/2801	

Item	Description	Part No.	
13	Linkage pin	S0346/4	
14	Handle weld assembly	290/1032	
15	Seloc pin	5118-001	
16	M12 washer	5123-003	
17	Viton O Ring	20361	□ ○
18	PTFE spindle bush	20360	□ ○
19	Extended body assembly *NB	338/2100A	
20	¾" BSP outlet assembly	338/2106	
21	M8 full nut (4)	5112-001	
22	¾" BSP check cap assembly	10306CK	
23	M8 flat washer (4)	5113-003	
24	¾" BSP ball valve	410/500F	
25	M8 hex head bolt (4)	5111-101	

## SEAL KIT

Part number 338/00SK contains all parts marked □

## REPAIR KIT

Part number 338/00RK contains all parts marked ○

\*NB Part number may vary according to assembly specification.