



3" 90° Helifuel Bottom Outlet Assembly - Highlift style footvalve with extended outlet, terminated with a flanged 105mm "Drytyt" dry disconnect tank unit fitted with a pressure-tight cap. Contact parts manufactured in 316 stainless steel with Fortyt footvalve main seal. Drytyt tank unit fitted with low temperature Viton seal. Cap fitted with Fortyt seal.

Specifically designed to fit DNV 2.7-1 Helifuel offshore tanks.

Options - range of assembly lengths. Pneumatically operated version. Other seal combinations available. Cleanflow assembly available.

Specification

Weight	20 Kg *See Note
Design Pressure (MAWP)	4 Bar (58 PSI)
Service Test Pressure	6 Bar (87 PSI)
Design Temperature Range	-20°C to 200°C (-4°F to 392°F)

Note : Weight varies according to specification

To ensure that the tank remains sealed in the event of an accident, the footvalve body incorporates a shear groove, designed to fail in such a way as to leave the internal part of the valve closed and attached to the tank body.

i Operating Instructions available - OPIN59

Range

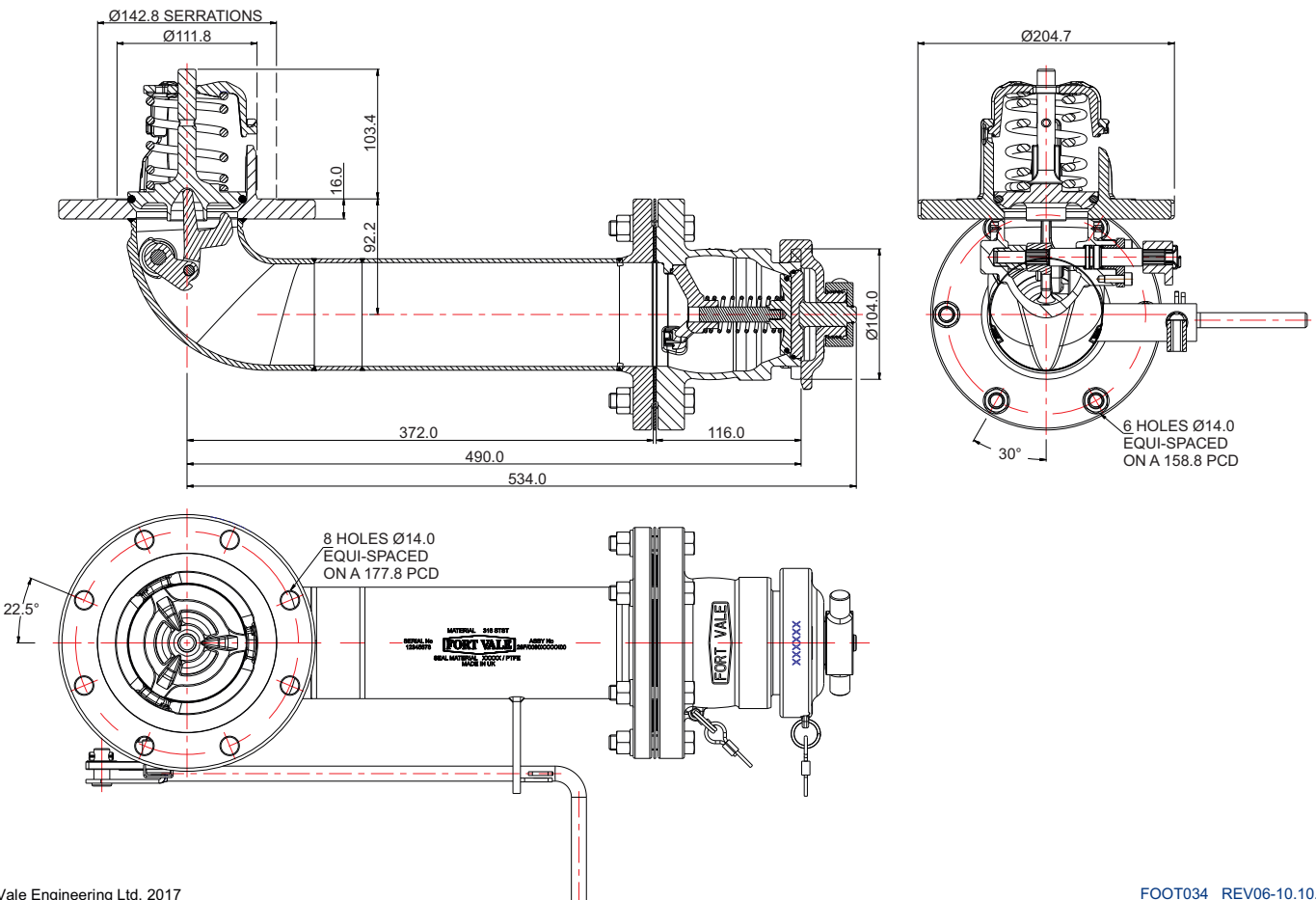
Part No.	Description
28F/00900490F00	3" 90° extended Highlift footvalve with 105mm Drytyt & cap
806/5400ASS	3" 90° extended pneumatic Cleanflow footvalve with 105mm Drytyt & cap

Associated Parts

Part No.	Associated Parts
324/9000	Tank weld-in flange
5005-015	CNAF/PTFE envelope gasket
324/2040	M12 x 8 stud kit with nuts and washers
915/5480F	105mm pressure-tight cap, Fortyt seal

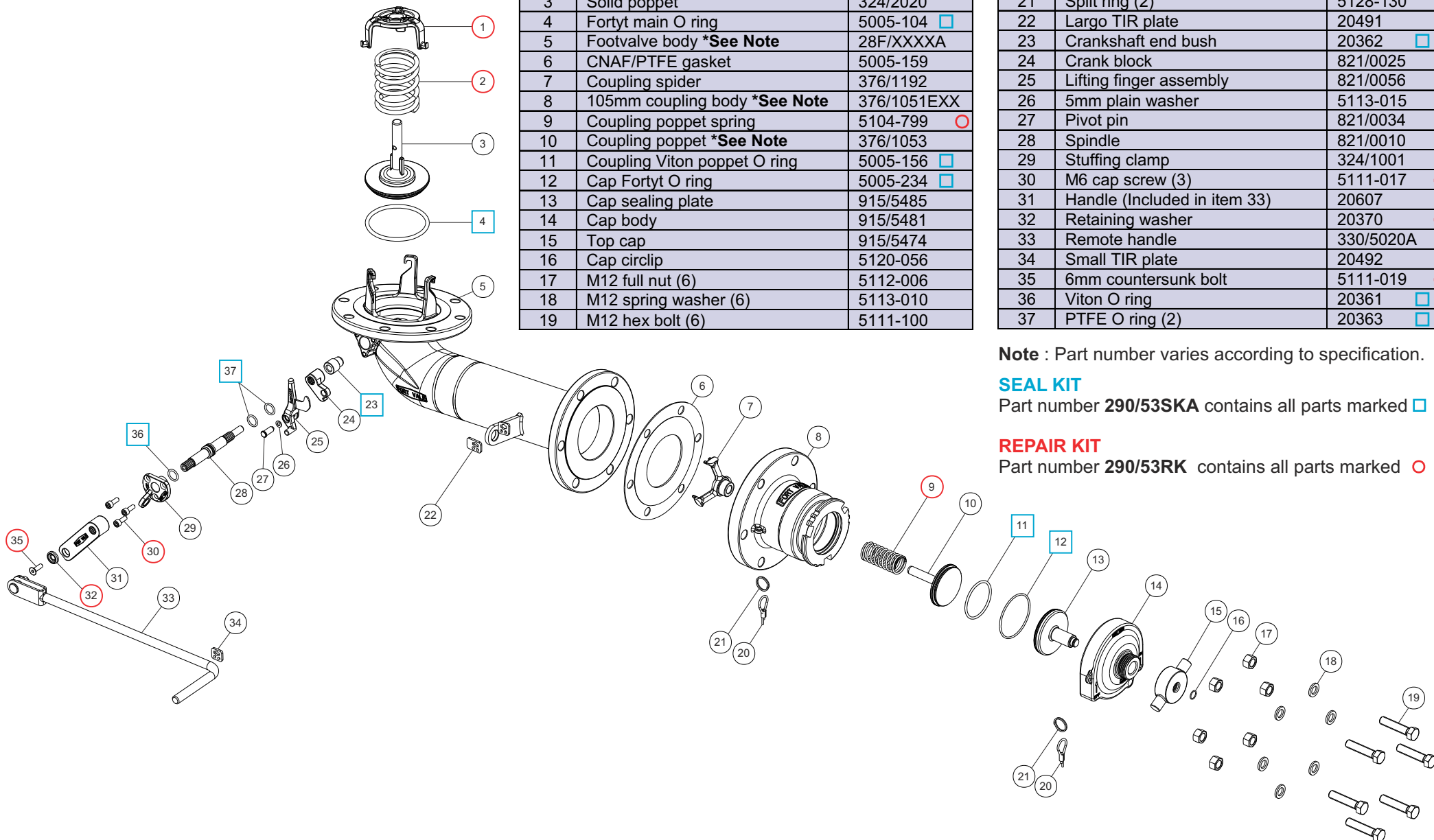
Fitting Details

Example shown : 28F/00900490F00



Item	Description	Part No.	
1	Spring top plate	290/6104	○
2	Closure spring	5104-971	○
3	Solid poppet	324/2020	
4	Fortyt main O ring	5005-104	□
5	Footvalve body *See Note	28F/XXXXA	
6	CNAF/PTFE gasket	5005-159	
7	Coupling spider	376/1192	
8	105mm coupling body *See Note	376/1051EXX	
9	Coupling poppet spring	5104-799	○
10	Coupling poppet *See Note	376/1053	
11	Coupling Viton poppet O ring	5005-156	□
12	Cap Fortyt O ring	5005-234	□
13	Cap sealing plate	915/5485	
14	Cap body	915/5481	
15	Top cap	915/5474	
16	Cap circlip	5120-056	
17	M12 full nut (6)	5112-006	
18	M12 spring washer (6)	5113-010	
19	M12 hex bolt (6)	5111-100	

Item	Description	Part No.	
20	2.5mm st/st wire (2)	SF2.5 & 6110-005	
21	Split ring (2)	5128-130	
22	Largo TIR plate	20491	
23	Crankshaft end bush	20362	□
24	Crank block	821/0025	
25	Lifting finger assembly	821/0056	
26	5mm plain washer	5113-015	
27	Pivot pin	821/0034	
28	Spindle	821/0010	
29	Stuffing clamp	324/1001	
30	M6 cap screw (3)	5111-017	○
31	Handle (Included in item 33)	20607	
32	Retaining washer	20370	○
33	Remote handle	330/5020A	
34	Small TIR plate	20492	
35	6mm countersunk bolt	5111-019	○
36	Viton O ring	20361	□
37	PTFE O ring (2)	20363	□



Note : Part number varies according to specification.

SEAL KIT

Part number **290/53SKA** contains all parts marked □

REPAIR KIT

Part number **290/53RK** contains all parts marked ○