

3" 30° Cleanflow Footvalve - inlet flange drilled 8 x 14mm holes equi-spaced on a 178mm PCD; square outlet flange drilled 4 x 17mm holes on a 160mm PCD. Contact parts manufactured in 316 stainless steel with Fortyt O ring to main poppet as standard.

**Options** - Other poppet seal materials available. Footvalve may be manufactured in other metals. A range of outlet flange configurations available. Conical poppet available for solidifying cargoes. Steam heated option. Available with replaceable seat area. Full range of 45°, 90° and 180° Cleanflow footvalves. A range of bolting kits and outlet gaskets is available.

### Specification

Weight	8.3 Kg *See note
Design Pressure (MAWP)	4 Bar (58 PSI)
Test Pressure	6 Bar (87 PSI)
Design Temperature Range	-40°C to 200°C (-40°F to 392°F)

\* **NB** Data varies according to valve specification.

To ensure that the tank remains sealed in the event of an accident, the valve body incorporates a shear groove designed to fail in such a way as to leave the internal part of the valve closed and attached to the tank.

Comparison tests between the Cleanflow and the Highlift footvalves conclude that there is a 38% increase in flow and a 27% reduction in discharge time.

Design approval by Lloyds Register of Shipping.

Approved to BS EN14433.

**i** Operating Instructions available - OPIN28 & OPIN47.

### Range

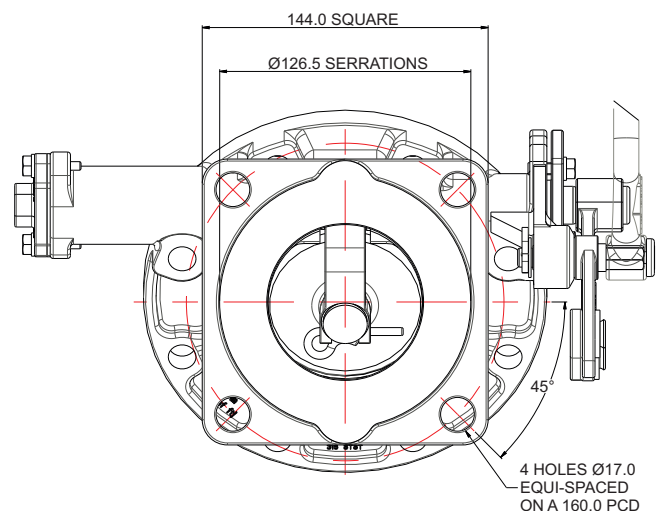
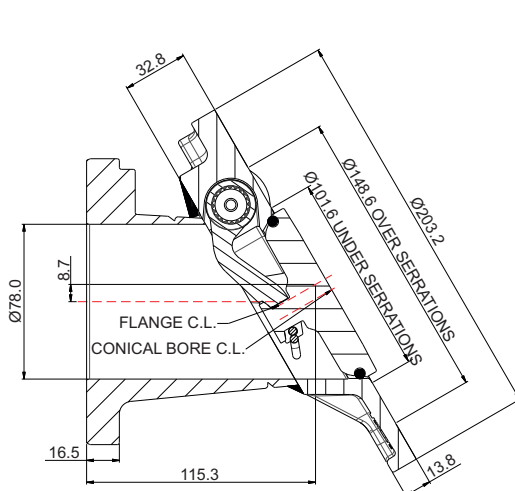
Part No.	Outlet flange drilling
848/1000A	4 hole to suit clamped butterfly valve
848/0000A	6 hole to suit flanged butterfly valve or ball valve

### Associated Parts

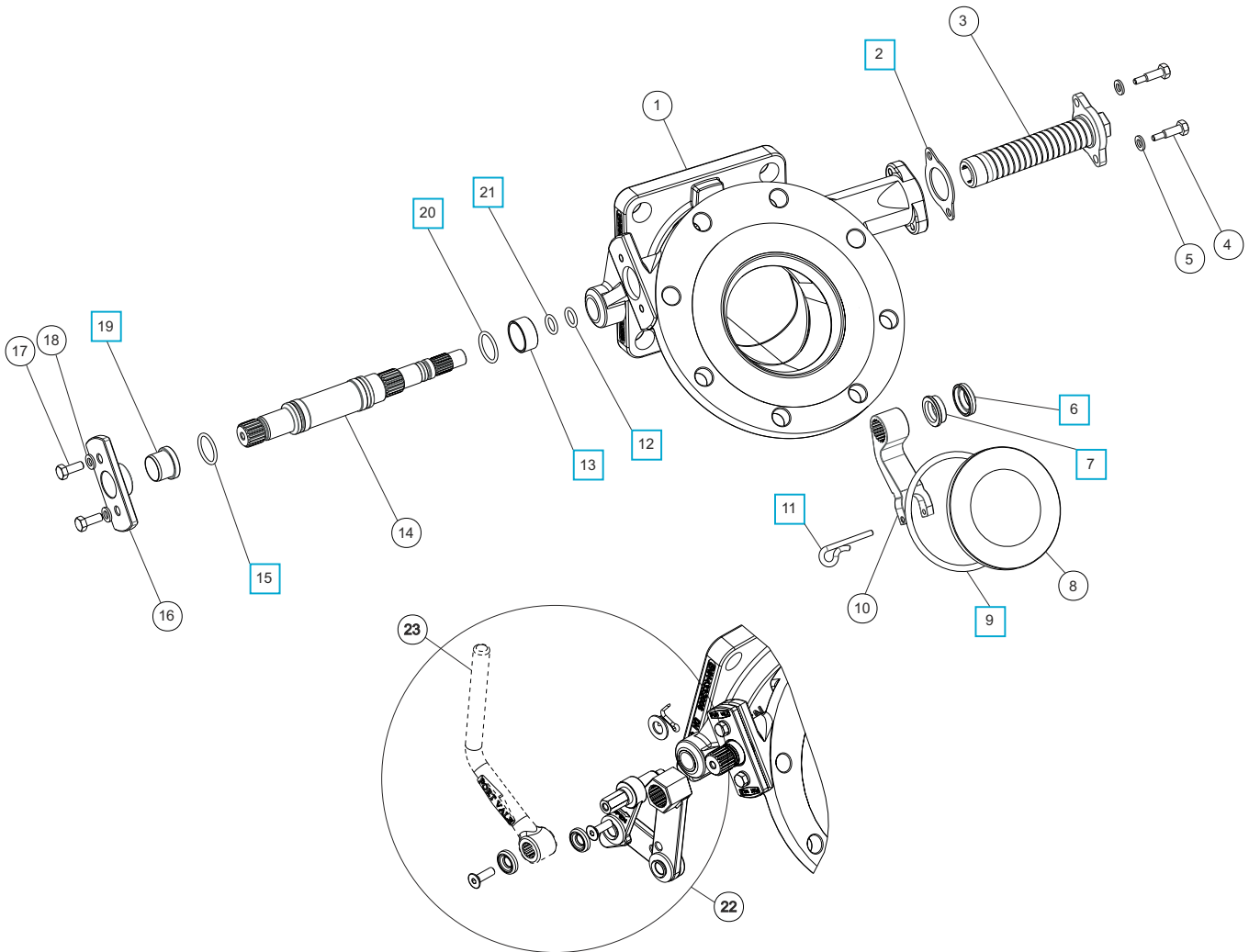
Associated Parts	Part No.
Tank pad	324/9030
Stud kit	845/2040
Bolting kit – 4 hole outlet	311/3500
Bolting kit – 6 hole outlet	360/0300
Inlet gasket – 8 hole	5005-015
Outlet gasket	5005-049
Outlet gasket – 6 hole	5005-169

### Fitting Details

Part No. 848/1000A



Parts drawing



**SEAL KIT**

Part number **845/00SK** contains all parts marked

**REPAIR KIT**

Part number **845/00RK** contains all part marked

Item	Description	Part No.
1	Body	848/1100
2	Spring boss gasket	5005-845 <input type="radio"/> <input type="checkbox"/>
3	Spring assembly	845/0050
4	Clamp screw (2)	845/0017
5	Spring washer (2)	5113-008
6	Bush seal	845/0064 <input type="radio"/> <input type="checkbox"/>
7	Seal energizer	845/0063 <input type="radio"/> <input type="checkbox"/>
8	Poppet	845/0040 <input type="radio"/>
9	Fortyt O ring	5005-104 <input type="radio"/> <input type="checkbox"/>
10	Lifting fork	845/0010 <input type="radio"/>
11	Retaining pin	845/0015 <input type="radio"/> <input type="checkbox"/>
12	Perfluoroelastomer O ring	10133PHT <input type="radio"/> <input type="checkbox"/>

Item	Description	Part No.
13	Spindle bearing	845/0062 <input type="radio"/> <input type="checkbox"/>
14	Spindle	845/0200 <input type="radio"/>
15	Viton O ring	5005-336 <input type="radio"/> <input type="checkbox"/>
16	Stuffing clamp	845/0016
17	Clamp bolt (2)	5111-022
18	Spring washer (2)	5113-008
19	Stuffing seal	845/0061 <input type="radio"/> <input type="checkbox"/>
20	Perlast O ring	5005-384 <input type="radio"/> <input type="checkbox"/>
21	PTFE O ring	5005-008 <input type="radio"/> <input type="checkbox"/>
22	Handle linkage assembly	324/8910
23	Handle	T.B.A. *See note



**SELF ADHESIVE DECAL**

Part No. 845/0320  
Text in English, German & French

Please see separate data sheet for details on remote closure kits

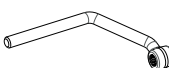
A detailed step-by-step repair manual is now available for our Cleanflow range of footvalves. Please contact our Sales team for further information.

**N.B.** Please specify the style of handle required at the time of order.



**STANDARD CLEANFLOW HANDLE**

Part No. 324/8670



**STANDARD HIGHLIFT HANDLE**

Part No. 330/5010