



3" 45° Cleanflow Footvalve - inlet flange drilled 8 x 14mm holes equi-spaced on a 178mm PCD; outlet flange drilling as shown below. Footvalve body with 'Superseat' (alloy 625) seating area. All other contact parts are manufactured in 316 stainless steel. Fitted with a Forty poppet O ring.

Options - Available with alloy C276 seating area. A range of poppet seal materials and outlet flange drillings are available. A conical poppet and steam heating is available for congealing cargoes. The Cleanflow range includes 30°, 45°, 90° and 180° options. A range of bolting kits and outlet gaskets is available.

Specification

Weight	9.87 Kg *See Note
Design Pressure (MAWP)	4 Bar (58 PSI)
Test Pressure	6 Bar (87 PSI)
Design Temperature	-40°C to 200°C (-40°F to 392°F)

*Note Weight and dimensions vary according to valve specification.

Comparison tests between the Cleanflow and the Highlift footvalves conclude that there is a 38% increase in flow and a 27% reduction in discharge time.

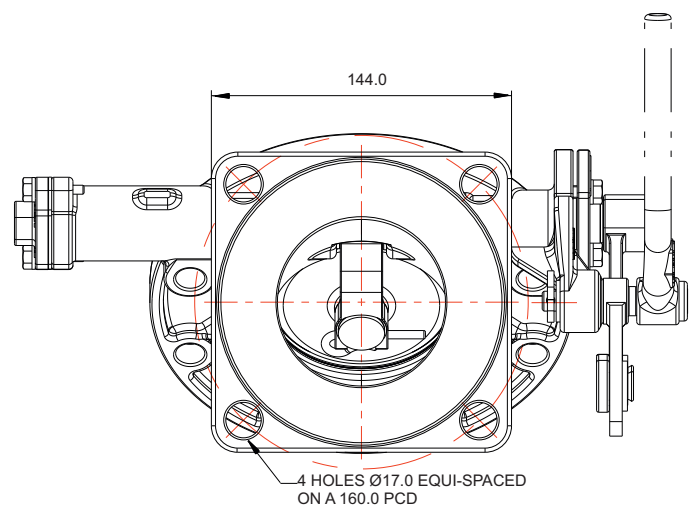
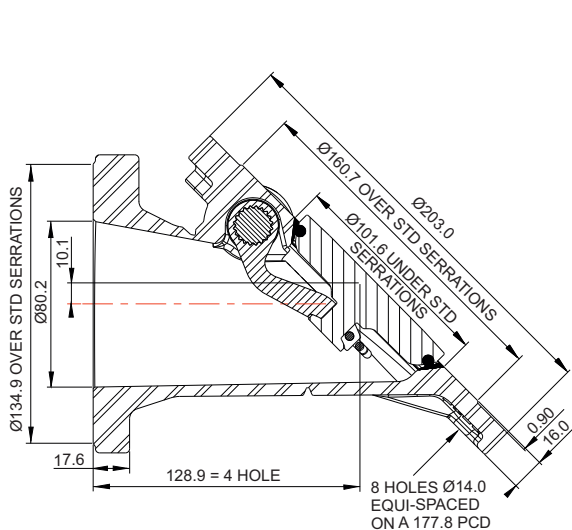
Design approval by Lloyds Register of Shipping.

Approved to BS EN14433.

 Operating Instructions available - OPIN28 & OPIN47

Fitting Details

Standard 3" 45° Cleanflow - Part No. 845/1200A



Range

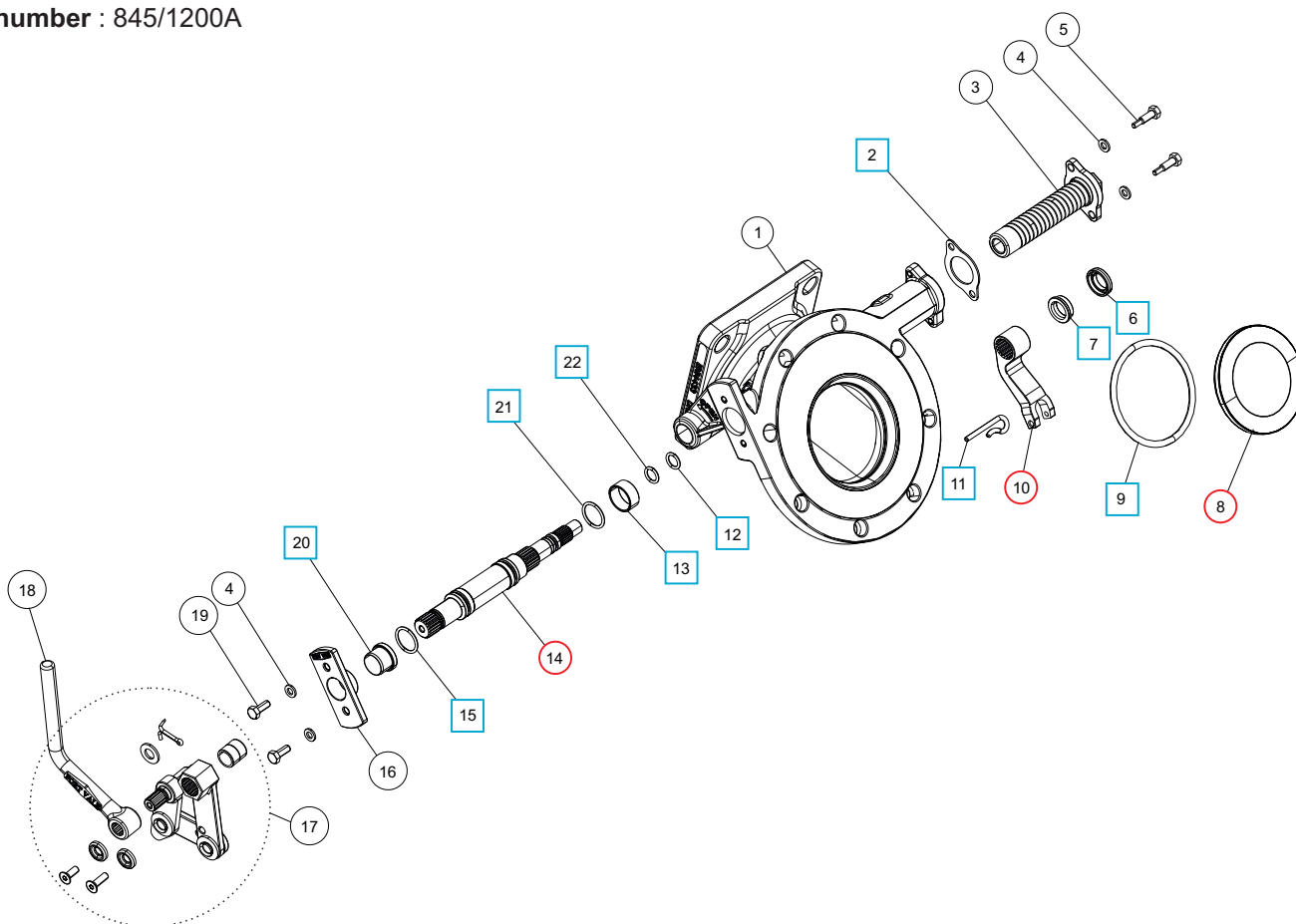
Part No.	Description
845/1200A	Superseat (alloy 625), 4 hole outlet
845/1200AHS	Alloy C276 seat, 4 hole outlet

Associated Parts

Associated Parts	Part No.
Tank pad	324/9000
Stud kit	845/2040
Bolting kit – 4 hole outlet	311/3500
Bolting kit – 6 hole outlet	360/0300
Inlet gasket – 8 hole	5005-015
Outlet gasket	5005-049
Outlet gasket – 6 hole	5005-169

Parts drawing

Part number : 845/1200A



SEAL KIT

Part number **845/00SK** contains all parts marked □

Item	Description	Part No.
1	Body	845/1100B
2	Spring housing gasket	5005-845 □ ○
3	Spring assembly	845/0050
4	M6 spring washer (4)	5113-008
5	M6 hex bolt (2)	845/0017
6	Bush seal	845/0064 □ ○
7	Seal energizer	845/0063 □ ○
8	Poppet	845/0040 ○
9	Fortyt O ring	5005-104 □ ○
10	Lifting fork	845/0010 ○
11	Retaining pin	845/0015 □ ○

REPAIR KIT

Part number **845/00RK** contains all parts marked ○

Item	Description	Part No.
12	Perlast O ring	10133PHT □ ○
13	Spindle bearing	845/0062 □ ○
14	Spindle	845/0200 ○
15	Viton O ring	5005-336 □ ○
16	Stuffing clamp flange	845/0016
17	Handle linkage assembly	324/8910
18	Handle *See note below	324/8670
19	M6 x 16mm hex bolt (2)	5111-022
20	Stuffing seal	845/0061 □ ○
21	Perlast O ring	5005-384 □ ○
22	PTFE O ring	5005-008 □ ○



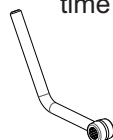
SELF ADHESIVE DECAL

Part No. 845/0320
Text in English, German & French

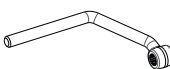
Please see separate data sheet for details on remote closure kits

A detailed step-by-step repair manual is now available for our Cleanflow range of footvalves. Please contact our Sales team for further information.

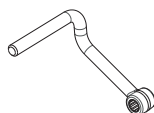
N.B. Please specify the style of handle required at the time of order.



STANDARD CLEANFLOW HANDLE
Part No. 324/8670



STANDARD HIGHLIFT HANDLES
Part No. 330/5010



Part No. 324/8671