



3" Flanged Butterfly Valve - inlet flange dual drilled: 6 x 14mm holes on a 168.3mm PCD and 4 x 18mm holes on a 160mm PCD. Outlet flange with 4 x 17mm open slots on a 146.1mm minor PCD. Left hand operated with TIR and padlock facility to handle. Contact parts manufactured in 316 stainless steel with PTFE main seal.

Options - different flange drillings and seal materials are available. Semi-spherical closure plate for congealing cargo.

Specification

Weight	6.9 Kgs
Design Pressure (MAWP)	6.9 Bar (100 PSI)
Test Pressure	10.35 Bar (150 PSI)
Design Temperature	-40°C to 200°C (-40°F to 392°F)

Approved to BS EN14432

Range

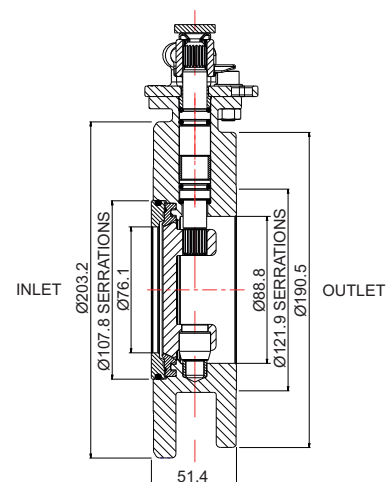
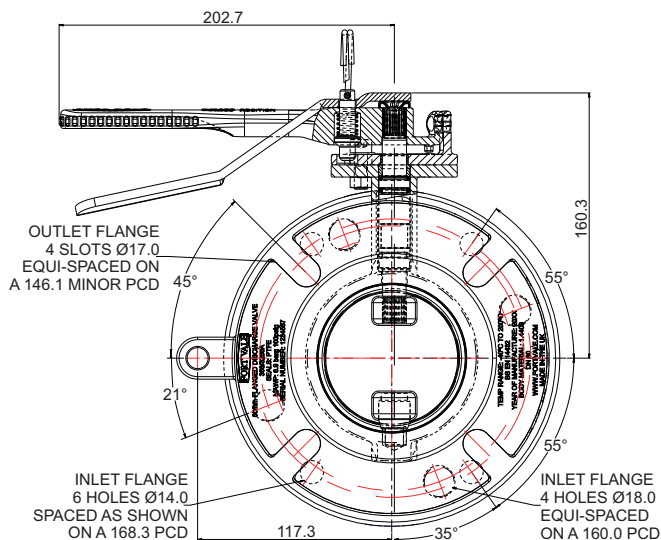
Part No.	Description
368/3280A	Inlet flange dual drilled, 6 hole/4 hole
368/3180A	Inlet flange dual drilled, 4 hole/4 hole
368/3160A	Inlet flange with flat, drilled 6 holes

Associated Parts

Associated Parts	Part No.
CNAF/PTFE dual drilled inlet gasket	5005-770
CNAF/PTFE inlet gasket - 6 hole	5005-222
CNAF/PTFE inlet gasket - 4 hole	5005-034
Solid PTFE outlet gasket	5005-417
Dished blind flange	312/0022CM
Outlet bolting kit	311/3500
Pivot pin	368/7506

Parts drawing

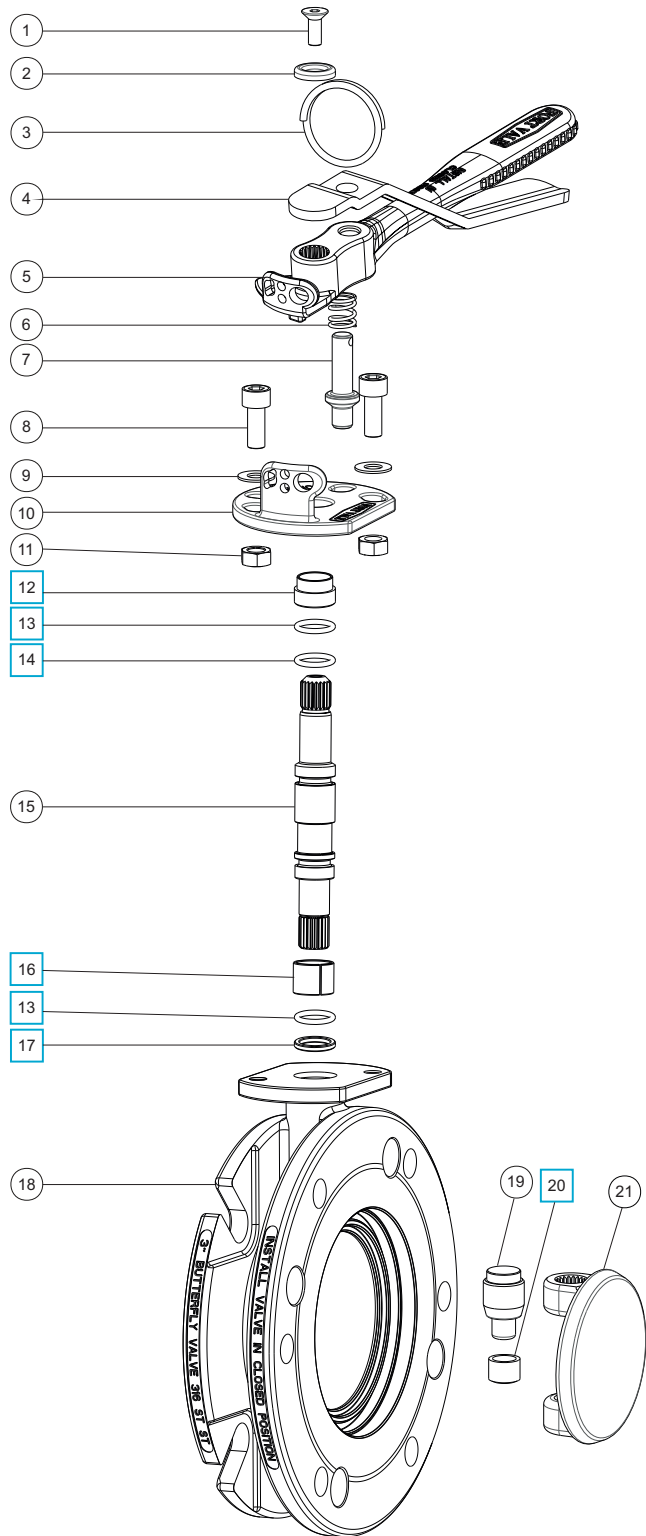
Part number: 368/3280A



Parts drawing



Part number: 368/3280A



Item	Description	Part No.
1	Sockethead setscrew	5111-030
2	Washer	20370
3	Split ring	368/0011
4	Operating lever	368/9837
5	Handle	368/0050
6	Handle location spring	368/0012
7	Handle location pin	368/0010
8	Sockethead capscrew (2)	5111-255
9	Plain washer (2)	5113-005
10	Stuffing clamp	368/0040
11	Full nut (2)	5112-001
12	PTFE stuffing clamp bush	368/0301
13	PTFE O ring (2)	20363
14	Viton O ring	20361
15	Spindle	368/0200
16	Split bearing	252/0517
17	PTFE spindle seat	368/0009
18	Body	368/9192
19	Bottom spindle	368/0036
20	PTFE bottom bush	368/0035
21	Closure plate	368/0400
22	PTFE main seal	368/0002
23	Nitrile O ring	5005-342
24	Seal clamp plate	368/9148

SEAL KIT

Part number **368/00SK** contains all parts marked



SELF ADHESIVE DECAL - PART NO. 368/0300

Text in English, German and French