

3" Unify Road Tanker Butterfly Valve - weld-prepared inlet and 3" BSP threaded outlet. Contact parts manufactured in 316 stainless steel with PTFE main seal.

Options - body may be supplied with or without 3/8" BSP venting port. Inlet adaptor available straight, angled or with 85mm I/D.

Range

Part No.	Body	Inlet Adaptor
368/2500AVA	Vented 3/8" BSP	Angled
368/2500ANA	Non-vented	Angled
368/2500SVA	Vented 3/8" BSP	Straight
368/2500SNA	Non-vented	Straight
368/2500BVA	Vented 3/8" BSP	85mm I/D
368/2500BNA	Non-vented	85mm I/D
368/2500NVA	Vented 3/8" BSP	No inlet adaptor
368/2500NNA	Non-vented	No inlet adaptor

Specification

Weight	5.76 Kgs
Design Pressure (MAWP)	6 Bar (87 PSI)
Service Test Pressure	10 Bar (145 PSI)
Design Temperature Range	-40°C to 200°C -40°F to 392°F

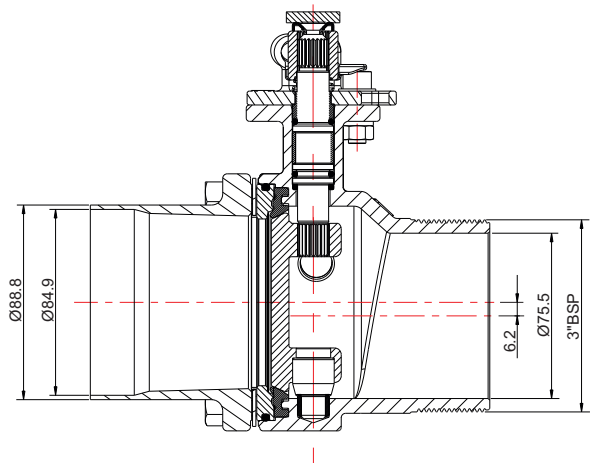
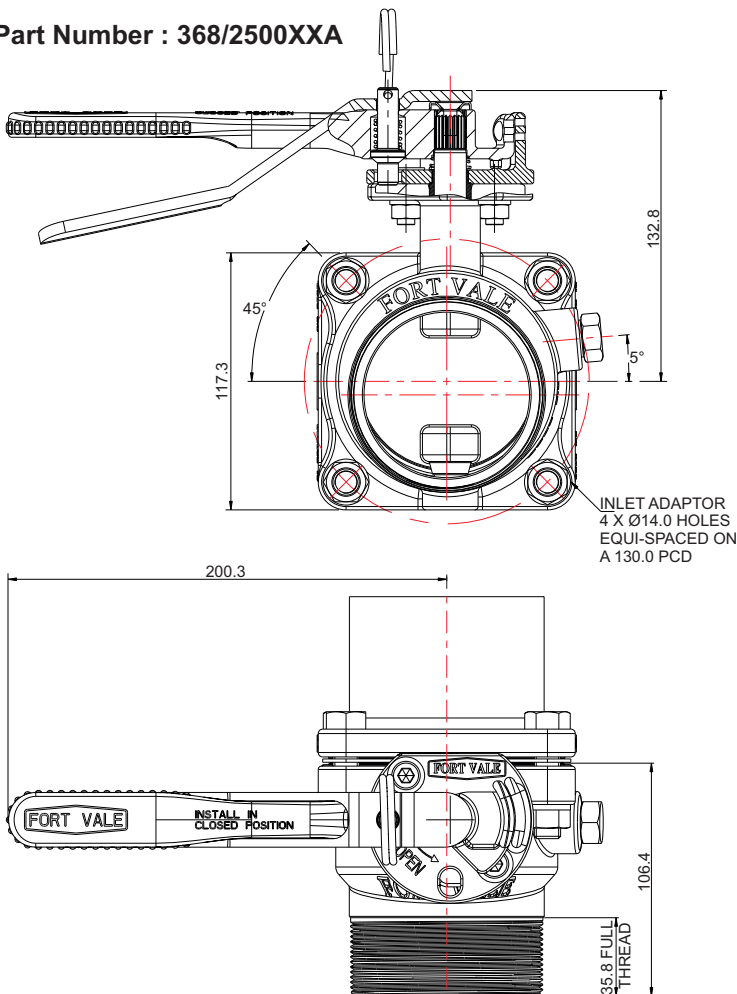
Approved to BS EN14432.

Associated Parts

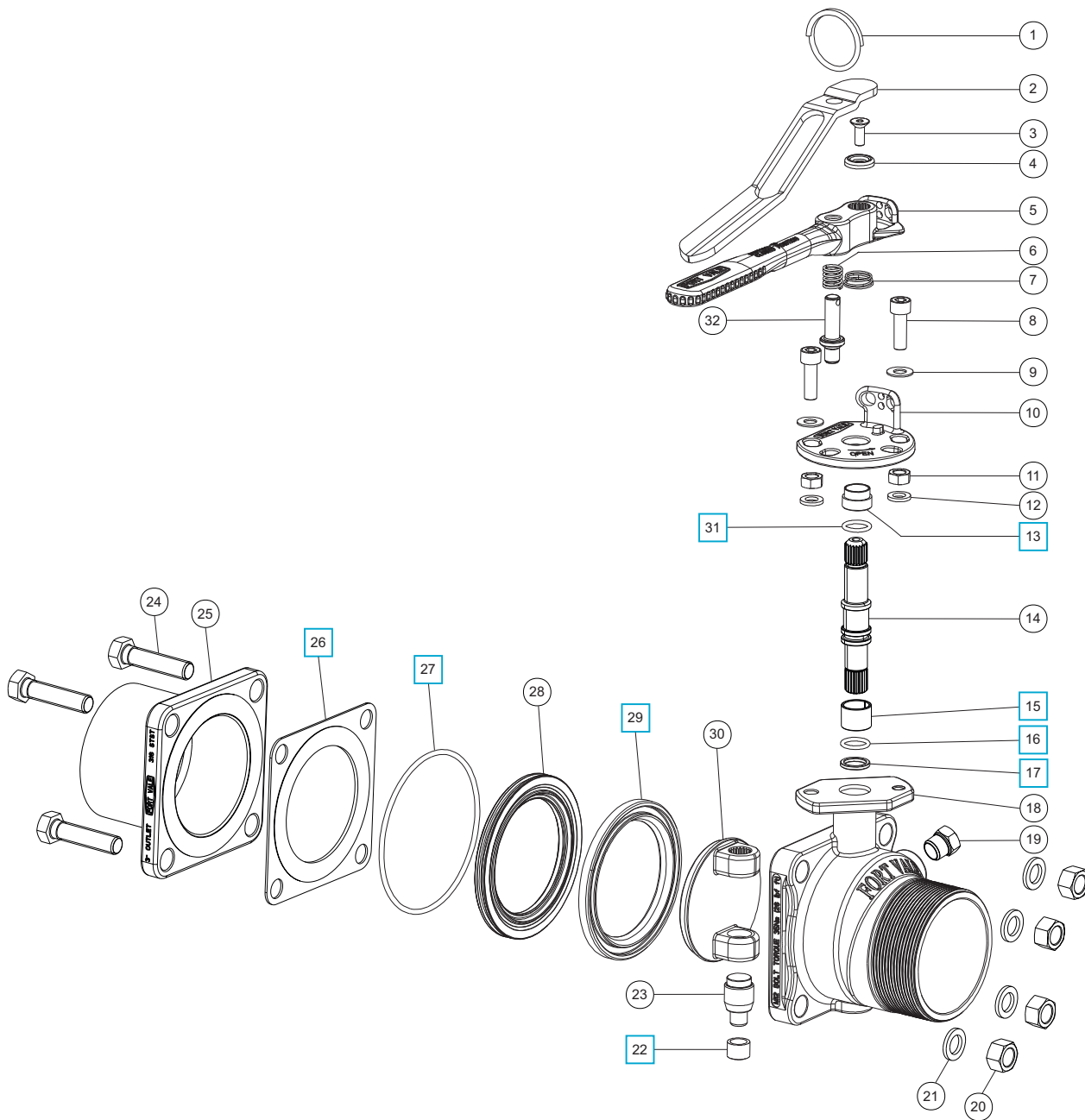
Part Number	Description
10303PS	3" BSP blank cap with PTFE seal

Fitting Details

Part Number : 368/2500XXA



Parts drawing



Item	Description	Part No.
1	Split ring	368/0011
2	Handle lever	368/9837
3	Countersunk bolt	5111-030
4	Retaining washer	20370
5	Butterfly handle	368/0050
6	Handle spring	368/0012
7	Electrical continuity spring	368/0014
8	M8 cap screw (2)	5111-148
9	M8 plain washer (2)	5113-005
10	Stuffing clamp	368/0040
11	M8 full nut (2)	5112-001
12	M8 spring washer (2)	5113-003
13	Stuffing clamp bush	368/0301 <input type="checkbox"/>
14	Spindle	368/0201
15	Split bearing	252/0517 <input type="checkbox"/>
16	Viton O ring	20361 <input type="checkbox"/>
17	PTFE spindle seat	368/0009 <input type="checkbox"/>

Item	Description	Part No.
18	Butterfly valve body with vent	368/2520
	Butterfly valve body without vent	368/2510
19	3/8" BSP taper plug *See note	5128-011
20	M12 full nut (4)	5112-006
21	M12 spring washer (4)	5113-010
22	Bottom bush	368/0035 <input type="checkbox"/>
23	Bottom spindle	368/0036
24	M12 hex bolt (4)	5111-032
25	Inlet flange **See note	368/94XX
26	CNAF/PTFE gasket	5005-707 <input type="checkbox"/>
27	Nitrile O ring	5005-342 <input type="checkbox"/>
28	Seal clamp	368/9148
29	PTFE main seal	368/0002 <input type="checkbox"/>
30	Closure plate	368/0400
31	PTFE O ring	20363 <input type="checkbox"/>
32	Handle location pin	368/0010

***Note** Item 19 is required only on the vented assembly.
****Note** Item 25 part no. varies according to specification.

SEAL KIT

Part number **368/25SK** contains all parts marked