



3" Clamped Butterfly Valve - left hand operated with TIR to handle and padlock facility. Contact parts manufactured in 316 stainless steel with PTFE main seal.

Options - lockable handle. "Congealing cargo" version with semi-spherical closure plate. Right hand operated version. Range of 2" and 4" clamped valves. TW style body available.

Specification

Weight	3.5 Kg
Design Pressure (MAWP)	6 Bar (87 PSI)
Test Pressure	10 Bar (145 PSI)
Design Temperature	-40°C to 200°C (-40°F to 392°F)

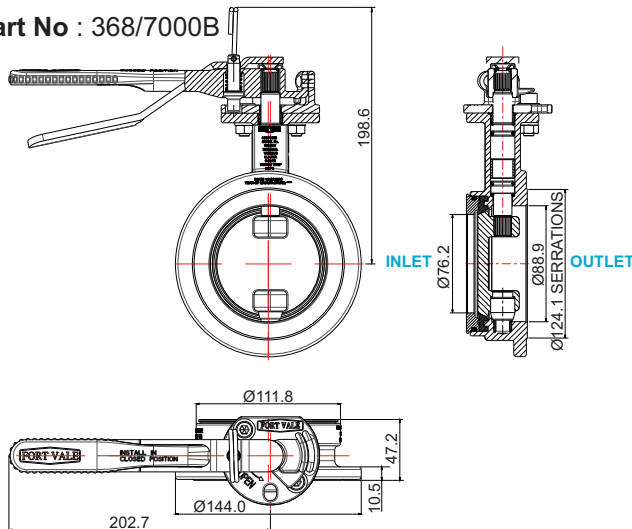
Design approvals by Lloyds Register of Shipping, Rijksdienst, SNCF, RMRS. Approved to BS EN14432

Range

Part No.	Description
368/7000B	Left hand standard butterfly valve
368/9110B	Left hand with semi-spherical closure plate
368/4000A	Right hand standard butterfly valve

Fitting Details

Part No : 368/7000B

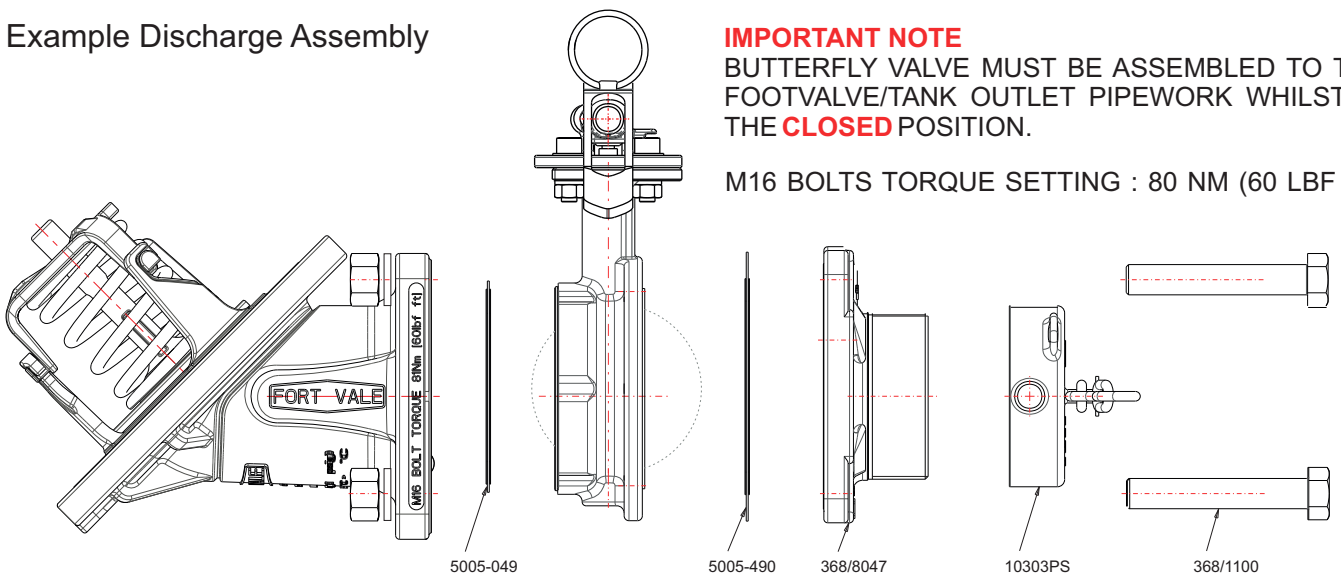


Associated Parts

Associated Parts	Part No.
CNAF/PTFE inlet gasket	5005-049
CNAF/PTFE outlet gasket	5005-490
CNAF/PTFE square inlet gasket - 4 hole	5005-198
CNAF/PTFE square outlet gasket - 4 hole	5005-195
Bolting kit	368/1100
3" BSP outlet flange	368/8047
3" BSP blank cap with PTFE washer	10303PS
3" Camlock outlet flange	368/8058
3" Camlock blank cap	90/DC300
3" NPT outlet flange	368/8049
3" NPT blank cap with PTFE washer	425/3250

Assembly Details

Example Discharge Assembly

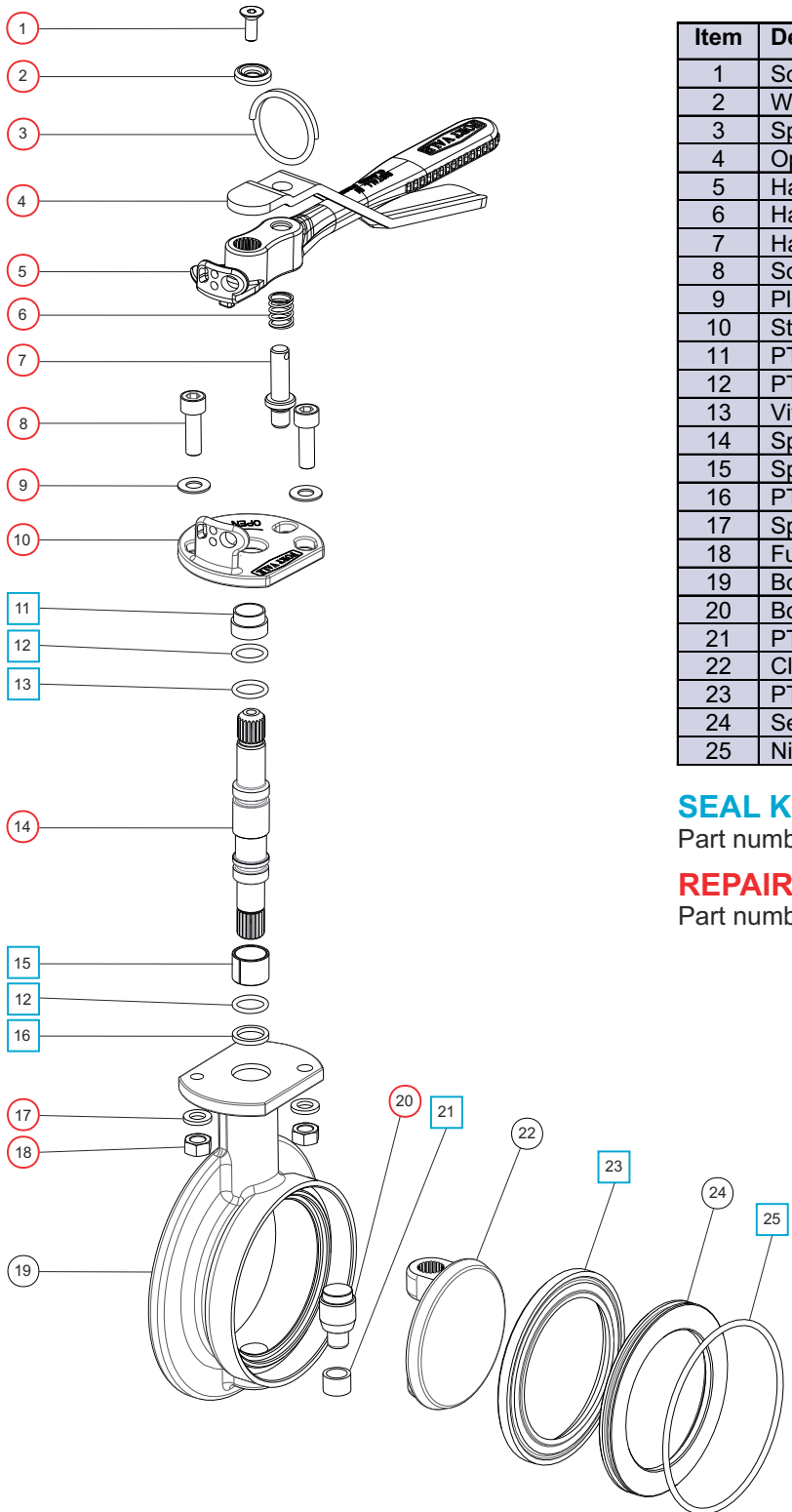


IMPORTANT NOTE

BUTTERFLY VALVE MUST BE ASSEMBLED TO THE FOOTVALVE/TANK OUTLET PIPEWORK WHILST IN THE **CLOSED** POSITION.

M16 BOLTS TORQUE SETTING : 80 NM (60 LBF FT)

Parts drawing



Item	Description	Part No.	
1	Sockethead setscrew	5111-030	○
2	Washer	20370	○
3	Split ring	368/0011	○
4	Operating lever	368/9837	○
5	Handle	368/0050	○
6	Handle location spring	368/0012	○
7	Handle location pin	368/0010	○
8	Sockethead capscrew (2)	5111-148	○
9	Plain washer (2)	5113-005	○
10	Stuffing clamp	368/0040	○
11	PTFE stuffing clamp bush	368/0301	□○
12	PTFE O ring (2)	20363	□○
13	Viton O ring	20361	□○
14	Spindle	368/0200	○
15	Split bearing	252/0517	□○
16	PTFE spindle seat	368/0009	□○
17	Spring washer (2)	5113-003	○
18	Full nut (2)	5112-001	○
19	Body	368/0150	
20	Bottom spindle	368/0036	○
21	PTFE bottom bush	368/0035	□○
22	Closure plate	368/0400	
23	PTFE main seal	368/0002	□○
24	Seal clamp plate	368/0045	
25	Nitrile O ring	5005-342	□○

SEAL KIT

Part number **368/00SK** contains all parts marked □

REPAIR KIT

Part number **368/00RKA** contains all parts marked ○



SELF ADHESIVE DECAL - PART NO. 368/0300

Text in English, German and French

A detailed step-by-step repair manual is now available for our range of discharge butterfly valves. Please contact our Sales team for further information.