



3" Full Bore Firesafe / Lethal Service Ball Valve - inlet and outlet flange drilled 8 x 18mm holes equi-spaced on a 160mm PCD. Contact parts manufactured in 316 stainless steel fitted with TFM PTFE main seal.

NOTE : The Firesafe specification ball valve is **not** suitable for a Lethal Service application. The Lethal Service specification ball valve is suitable for both a Firesafe and a Lethal Service application.

Options - left hand or right hand operated. 1", 2" and 3" Firesafe/Lethal Service ball valves available.

Specification

Weight	17.0 Kgs
Design Pressure (MAWP)	16 Bar (232 PSI)
Test Pressure	24 Bar (348 PSI)
Min. Design Temperature	-40°C (-40°F)
Max. Design Temperature	205°C (401°F)

Approved to : BS EN14432, EN12516-2, EN10497, API 607.

Range

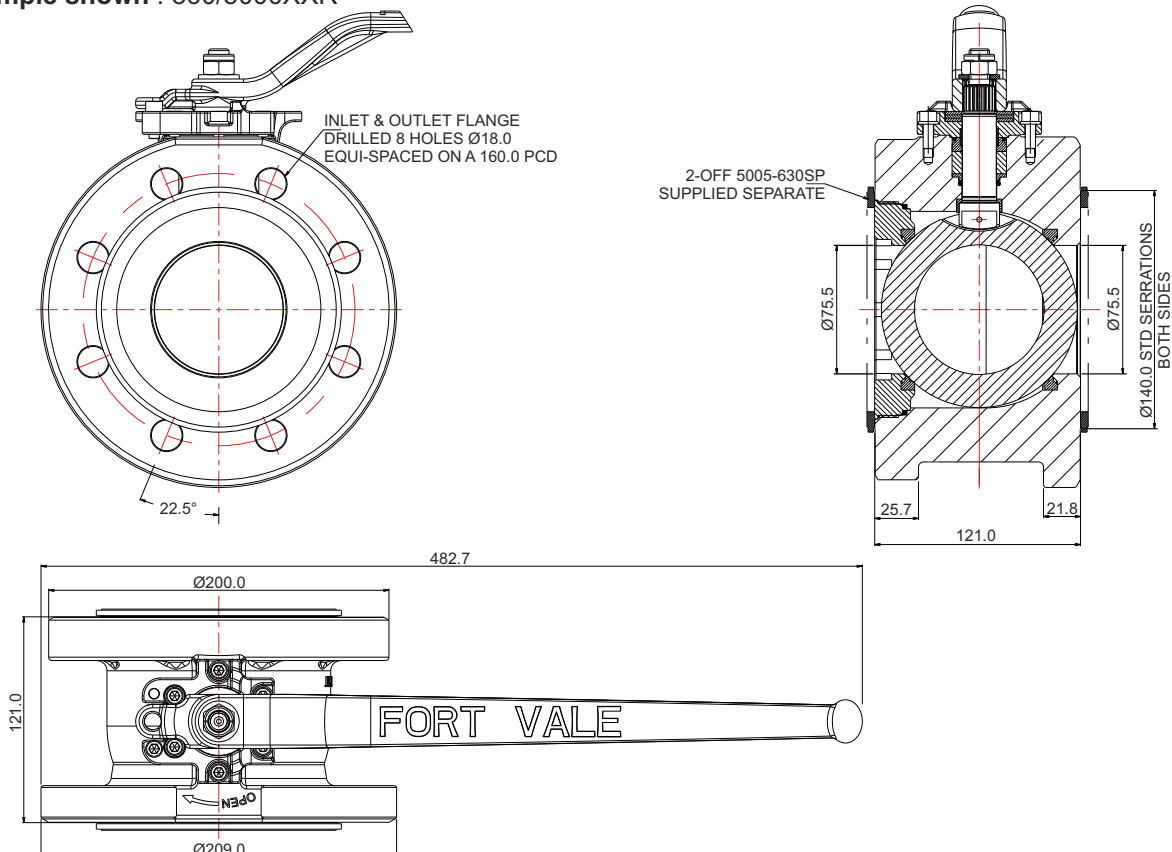
Part No.	Description
360/5000FSL	3" Firesafe Ball Valve – left hand
360/5000FSR	3" Firesafe Ball Valve – right hand
360/5000LSL	3" Lethal Service/Firesafe Ball Valve – left hand
360/5000LSR	3" Lethal Service/Firesafe Ball Valve – right hand

Associated Parts

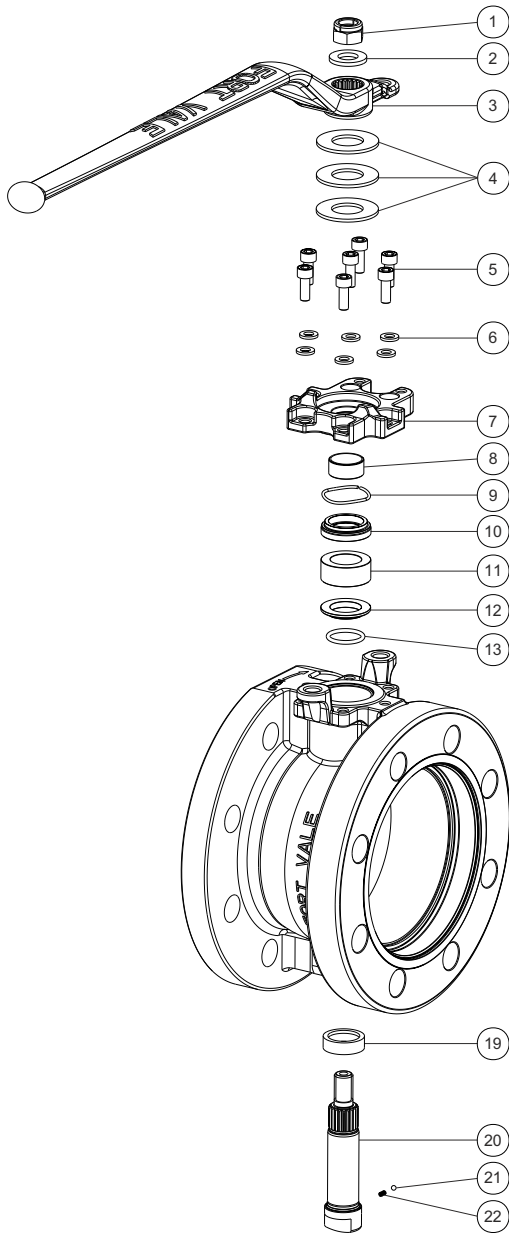
Part No.	Description
5005-630SP	Stainless steel/graphite spiral wound gasket – suits 3" ball valve inlet & outlet

Fitting Details

Example shown : 360/5000XXR



Parts drawing



Item	Description	Part No.
1	M12 locking nut *See Note	5112-007-XX
2	M12 washer	5123-003
3	Handle	360/3416FS
4	20mm Belleville washer (3)	5113-041
5	M6 cap screw (7) *See Note	5111-015-XX
6	M6 spring washer (6)	5113-008
7	Retaining gland *See Note	360/5005XX
8	Bearing bush	360/0182
9	Wave spring	360/3351
10	Stuffing gland	360/0180
11	Gland seal	360/3353
12	Stuffing gland	360/0181
13	Perfluoroelastomer o ring	5005-928HT
14	3" ball valve body *See Note	360/5014XX
15	TFM PTFE ball seal (2)	360/3402FS
16	Ball *See Note	360/3401XX
17	Body seal	360/0106GR
18	Seal retainer	360/0176/2
19	Bearing bush	360/3421FS
20	Spindle	360/3422FS
21	3mm ball	10154SS
22	Plunger spring	370-3469

Note : Part number varies according to specification.