



1" Full Bore Firesafe / Lethal Service Ball Valve - inlet and outlet flange drilled 4 x 18mm holes equi-spaced on a 89mm PCD. Contact parts manufactured in 316 stainless steel fitted with TFM PTFE main seal.

NOTE : The Firesafe specification ball valve is **not** suitable for a Lethal Service application. The Lethal Service specification ball valve is suitable for both a Firesafe and a Lethal Service application.

Options - left hand or right hand operated. 1", 2" and 3" Firesafe/Lethal Service ball valves available.

Specification

Weight	4.77 Kgs
Design Pressure (MAWP)	16 Bar (232 PSI)
Test Pressure	24 Bar (348 PSI)
Min. Design Temperature	-40°C (-40°F)
Max. Design Temperature	205°C (401°F)

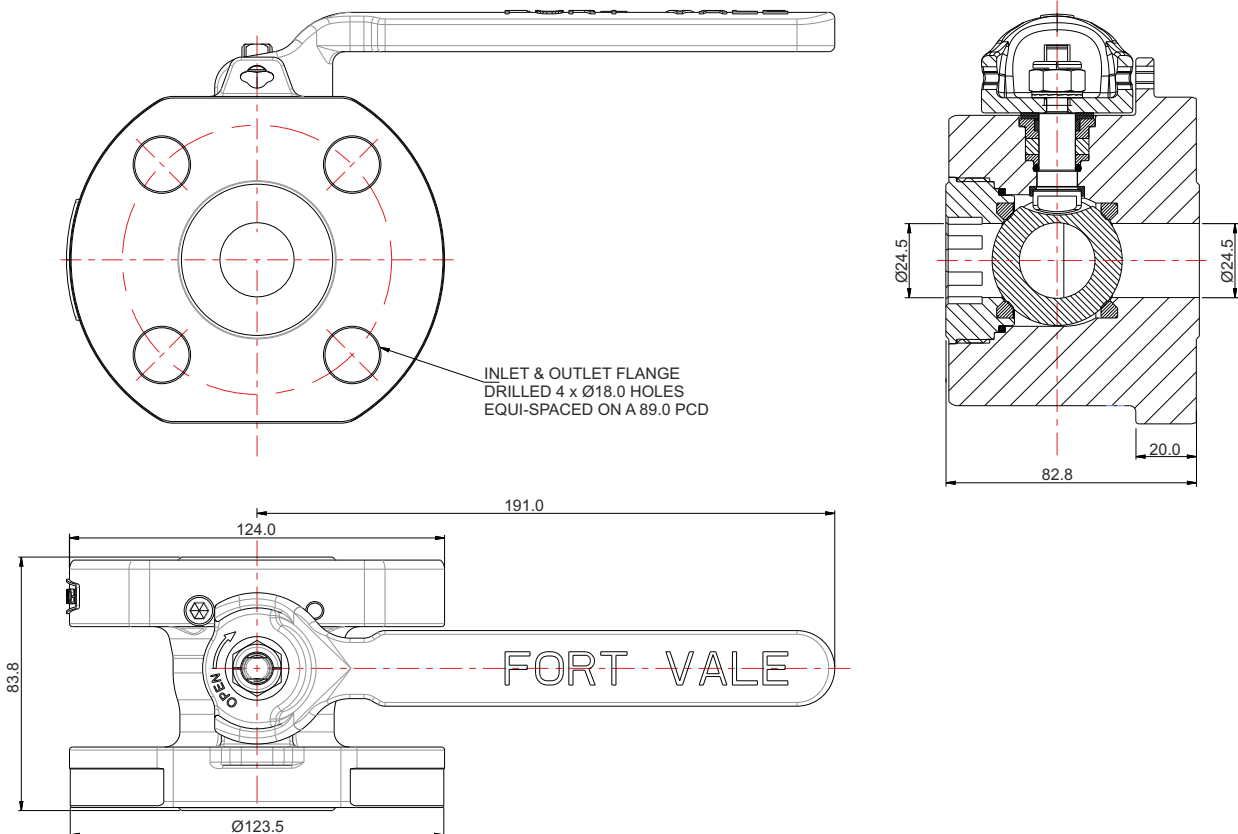
Approved to : BS EN14432, EN12516-2, EN10497, API 607.

Range

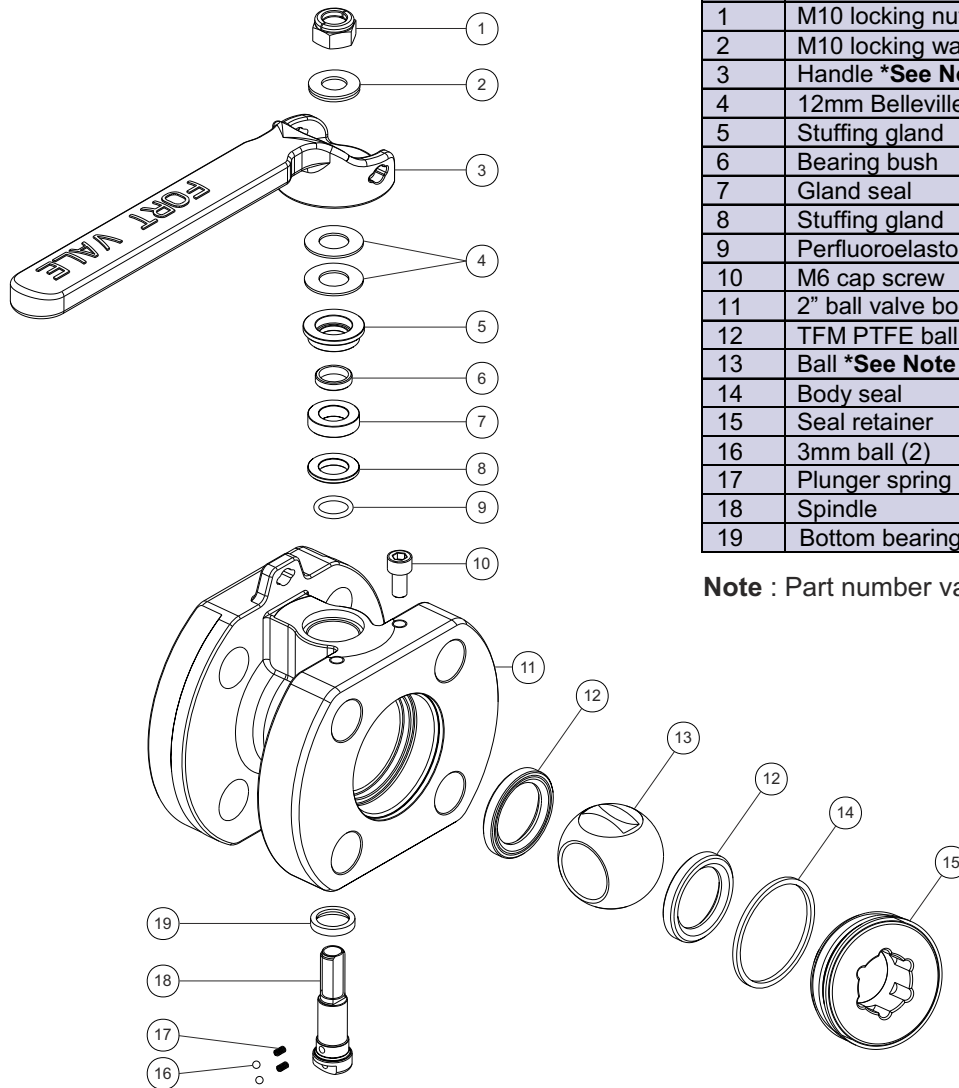
Part No.	Description
310/5000FSL	1" Firesafe Ball Valve – left hand
310/5000FSR	1" Firesafe Ball Valve – right hand
310/5000LSL	1" Lethal Service/Firesafe Ball Valve – left hand
310/5000LSR	1" Lethal Service/Firesafe Ball Valve – right hand

Fitting Details

Example shown : 310/5000XXR



Parts drawing



Item	Description	Part No.
1	M10 locking nut *See Note	5112-008-XX
2	M10 locking washer (pair)	5113-191
3	Handle *See Note	310/0125XX
4	12mm Belleville washer (2)	5113-045
5	Stuffing gland	310/3458
6	Bearing bush	310/3443
7	Gland seal	310/0133
8	Stuffing gland	310/0130
9	Perfluoroelastomer o ring	5005-212PER
10	M6 cap screw	5111-034
11	2" ball valve body *See Note	310/5010XX
12	TFM PTFE ball seal (2)	310/0102FS
13	Ball *See Note	370/1002XX
14	Body seal	310/0106GR
15	Seal retainer	310/0176/2
16	3mm ball (2)	10154SS
17	Plunger spring (2)	370-3469
18	Spindle	310/0120FS
19	Bottom bearing	310/0104FS

Note : Part number varies according to specification.