



PFA Lined 80mm Full Bore Ball Valve - inlet flange drilled 4 x 18mm holes on a 160mm PCD; outlet flange drilled 4 x 18mm slots equi-spaced on a 146 to 160mm PCD. (3" BSTD to DIN80) Left hand operated with TIR to handle. Valve manufactured in stainless steel with PTFE main seal. All parts in contact with the cargo lined with PFA.

Options - right hand operated version. Range of PFA lined ball valves (See RANGE)

Specification

Weight	12.9 Kg
Design Pressure (MAWP)	6.9 Bar (100 PSI)
Test Pressure	10.34 Bar (150 PSI)
Design Temperature Range	-40°C to 130°C -40°F to 266°F

Valve complies with EN14432:2006 and RID norms.

Range

Part No.	Description
530/P100	25mm PFA lined reduced bore ball valve
370/P100	50mm PFA lined full bore ball valve
360/P030X	80mm PFA lined full bore ball valve

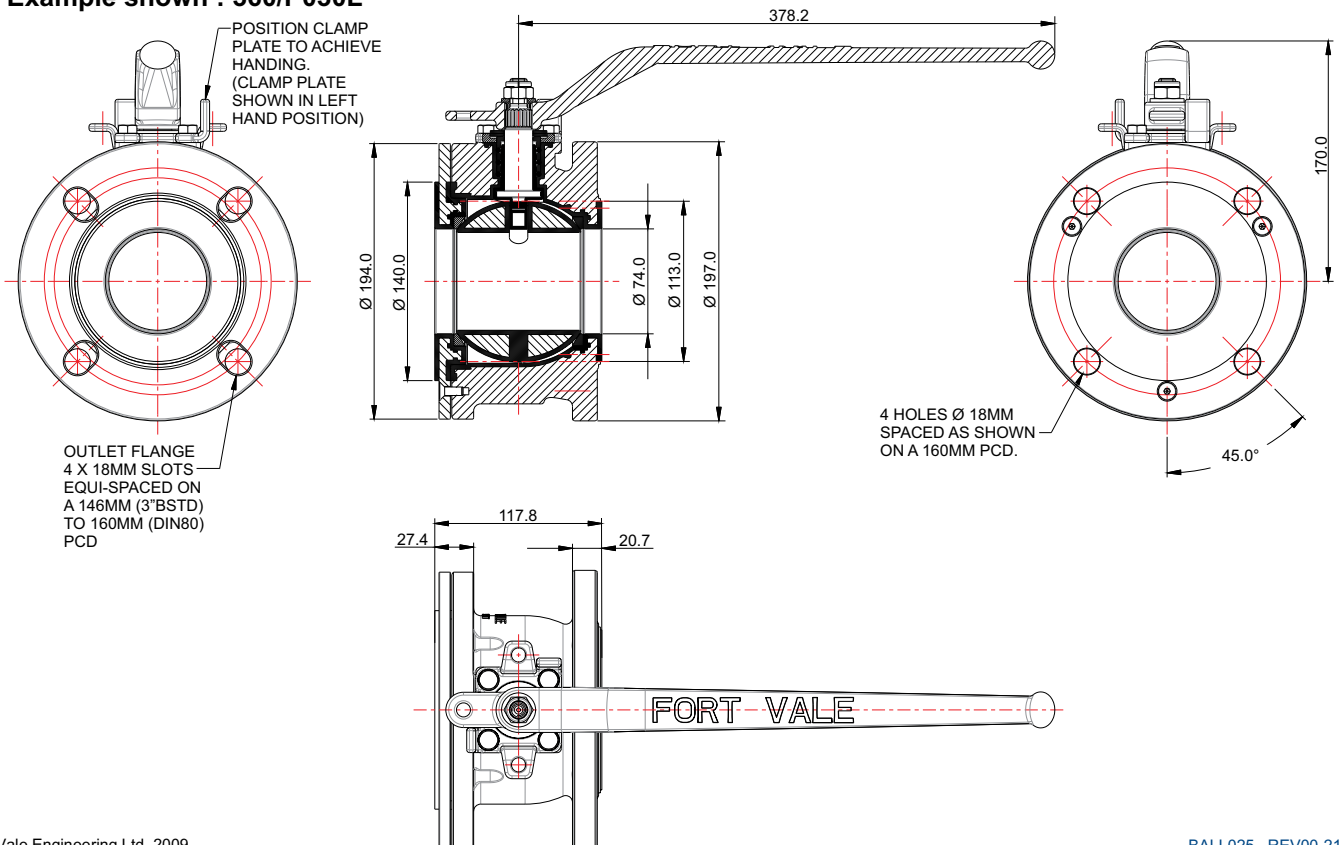
X in part number denotes whether left (L) or right (R) hand valve.

Associated Parts

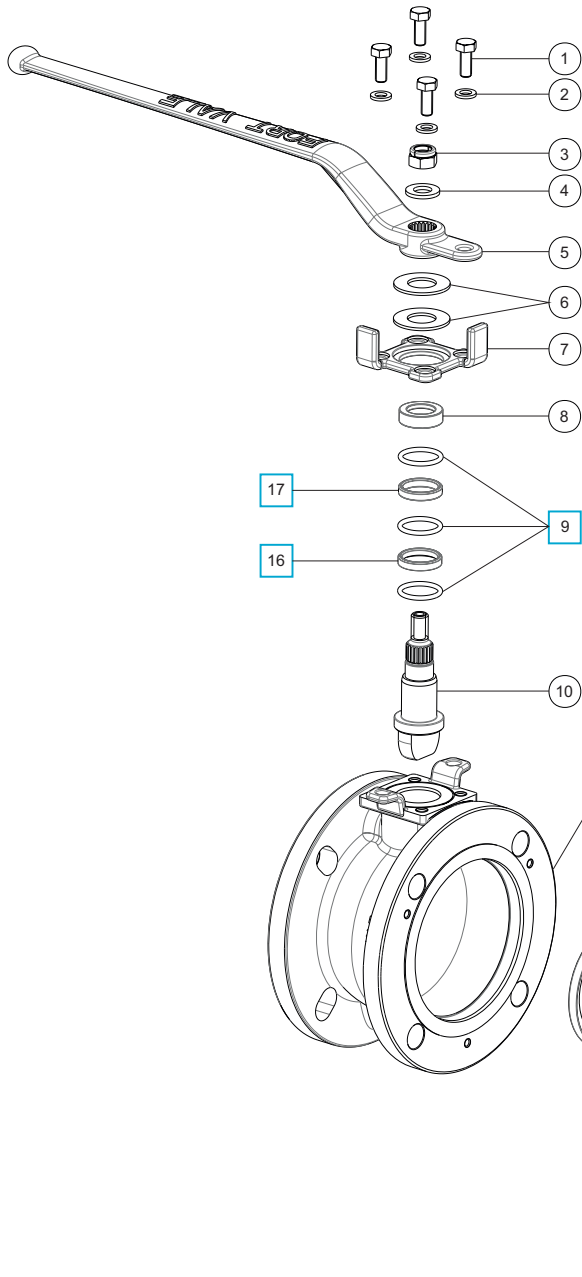
Part No.	Associated Parts
368/0500P	3" BSP PFA lined outlet flange
368/8047L	3" BSP Halar lined eccentric outlet flange
5005-417	Solid PTFE outlet gasket
360/8095P	PFA lined blind flange

Fitting Details

Example shown : 360/P030L



Parts drawing



Item	Description	Part No.
1	M8 hex bolt (4)	5111-046
2	M8 spring washer (4)	5113-003
3	M12 locking nut	5112-007
4	M12 washer	5123-003
5	Handle	360/3416
6	20mm washer (2)	5113-041
7	Clamp plate	360/3406/1
8	Stainless steel stuffing collar	360/3464
9	PTFE O ring (3)	5005-654
10	PFA lined spindle	360/3422PL
11	PFA lined body	360/P020
12	PTFE front & rear seal (2)	360/3402/5
13	PFA coated ball	360/3401PL
14	PFA lined clamp plate	360/3462PL
15	M6 countersunk bolt (3)	5111-030
16	Bottom stuffing collar	360/3413/1
17	Top stuffing collar	360/3412/1

SEAL KIT

Part number 360/P0SK contains all parts marked