



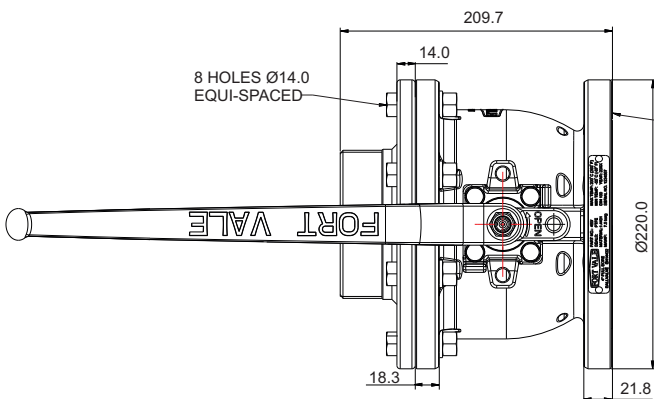
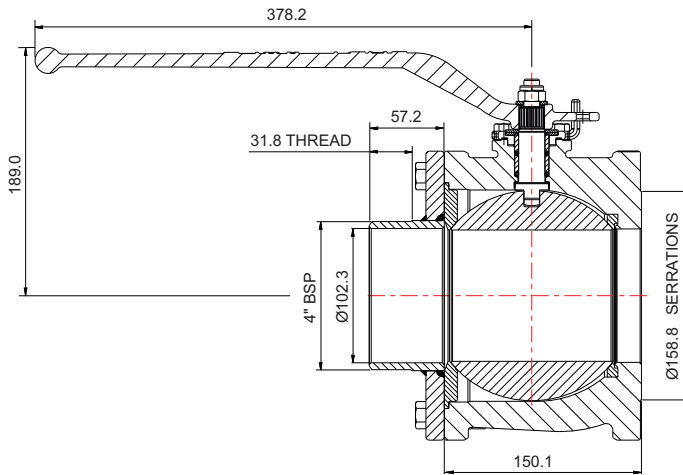
4" BSP Full Bore Ball Valve - inlet flange drilled 8 x 18mm holes equi-spaced on a 180mm PCD (DIN100 PN16); outlet flange 4" BSP. Available with left hand or right hand operation. Manufactured in 316 stainless steel fitted with PTFE seals.

Options - available in sizes from 2" to 5" in stainless steel or carbon steel. Steam-heated version. Alternative outlet connections.

Above photograph shows 460/5050X specification.

Fitting Details

Part Number : 460/5000X



8 HOLES Ø14.0
EQUI-SPACED

INLET FLANGE:
8 HOLES Ø18.0
EQUI-SPACED
ON A 180 PCD

Specification

Weight	26.1 Kg
Design Pressure (MAWP)	7.5 Bar (108.75 PSI)
Hydraulic Test Pressure	11.25 Bar (163.1 PSI)
Design Temperature Range	-55°C to 200°C -67°F to 392°F

Approved to BS EN14432.

i Operating Instructions available - OPIN25

Range

Part No.	Description
460/5000L	4" BSP ball valve with left hand operation
460/5000R	4" BSP ball valve with right hand operation
460/5000XSH	4" BSP ball valve with steam heating provision
460/5050X	4" ball valve with DIN100 PN16 outlet

Parts drawing



Part Number : 460/5000X

Item	Description	Part No.
1	M8 hex bolt (4)	5111-046
2	M8 spring washer (4)	5113-003
3	Self-locking nut	5112-007
4	M12 washer	5123-003
5	Handle	360/3416
6	Belleville washer (2)	5113-041
7	Clamp plate	360/5005
8	Top stuffing collar	360/3412
9	PTFE O ring (2)	5005-113 <input type="checkbox"/>
10	Bottom stuffing collar	360/3413
11	Bottom bearing	360/3421 <input type="checkbox"/>
12	Spindle	360/3422
13	Body	460/5020
14	Rear seal	460/5056 <input type="checkbox"/>
15	4" solid ball	460/5057
16	Front seal	460/5055 <input type="checkbox"/>
17	4"BSP outlet flange	460/5060
18	M12 full nut (8)	5112-006
19	M12 spring washer (8)	5113-010
20	M12 Hex bolt (8)	5111-023

SEAL KIT

Part number 460/50SK contains all parts marked

