



3" Blacko Ball Valve - inlet flange drilled 6 x 14mm holes (see below) on a 168.3mm PCD; 3" BSP male outlet connection. Left hand operated with TIR facility to handle. Contact parts manufactured in 316 stainless steel with PTFE seals.

Options - Right hand operation. Steam heated version.

Specification

Weight	15.9 Kg
Design Pressure (MAWP)	7 Bar (101.5 PSI)
Hydraulic Test Pressure	10.5 Bar (152.3 PSI)
Design Temperature Range	-40°C to 200°C (-40°F to 392°F)

M12 bolts torque setting : 65 Nm (48 LBF FT)

Approved to BS EN14432 & BS EN14025

Range

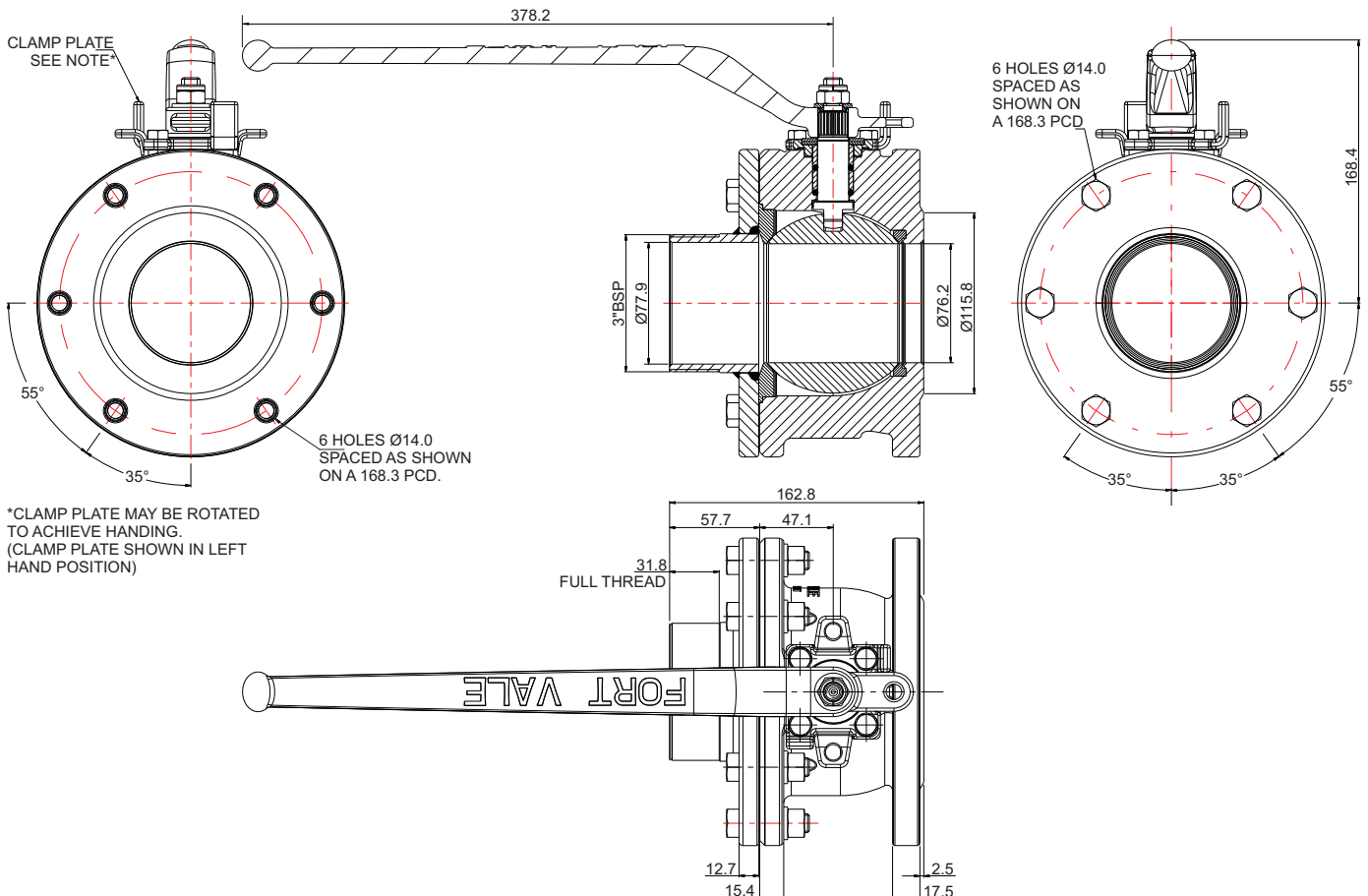
Part No.	Description
360/5000L	Left hand operated, TIR
360/5000R	Right hand operated, TIR
360/5000XSH	Steam heated, left or right hand operated

Associated Parts

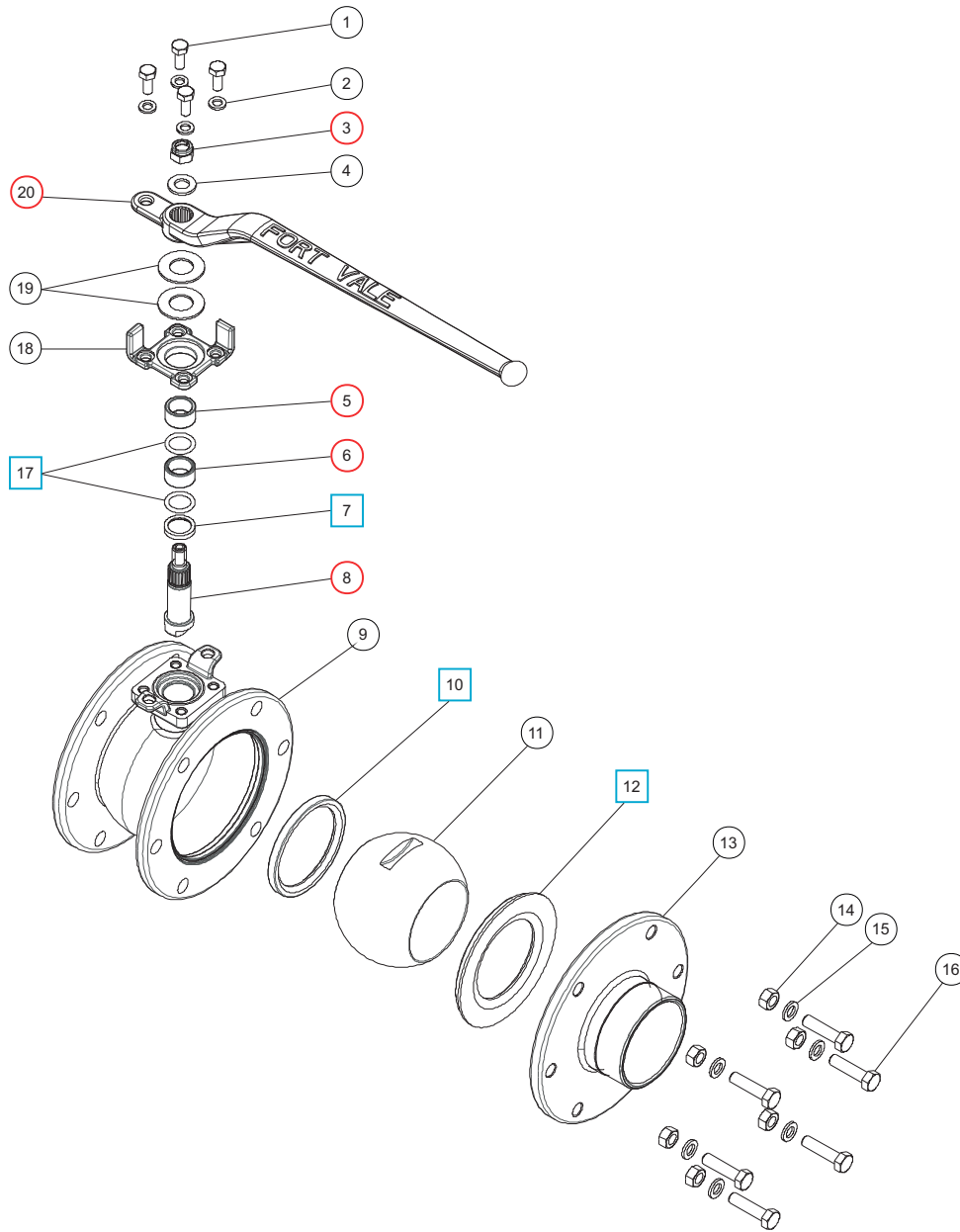
Part No.	Description
20378	Mating flange
360/0300	Inlet bolting kit
20406	Bobbin adaptor for 3" table D outlet
5005-036	Outlet gasket 3" Table D
360/8070	Blind flange
311/3000	Outlet bolting kit
10303PS	3" BSP dust cap with PTFE washer
10329P	3" dust cap washer

Fitting Details

Example shown : 360/5000L



Parts drawing

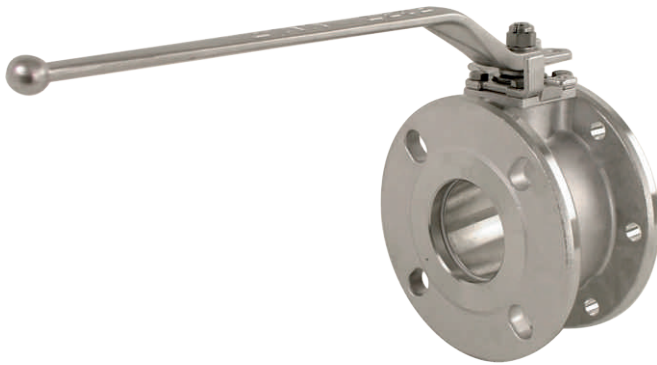


Item	Description	Part No.
1	M8 hex head bolt (4)	5111-822
2	M8 flat section spring washer (4)	5113-003
3	M12 self locking nut	5112-007 ○
4	M12 washer	5123-003
5	Top stuffing collar	360/3412 ○
6	Bottom stuffing collar	360/3413 ○
7	Bottom bearing	360/3421 □○
8	Spindle	360/3422 ○
9	3" flanged ball valve body	360/5014
10	Back seal	360/3402 □○

Item	Description	Part No.
11	Solid ball plug	360/3401
12	Front seal	360/3405 □○
13	3" BSP male outlet flange	20409/14
14	M12 full nut (6)	5112-006
15	M12 flat section spring washer (6)	5113-010
16	M12 hex head bolt (6)	5111-023
17	PTFE O ring (2)	5005-113 □○
18	Clamp plate	360/5005
19	20mm Belleville washer (2)	5113-041
20	Handle weld assembly	360/3416 ○

SEAL KIT part number **360/50SK** contains all parts marked □

REPAIR KIT part number **360/50RK** contains all parts marked ○



3" Blacko Ball Valve Assembly - inlet flange drilled 6 x 14mm holes on a 168mm PCD. Slotted 4 hole outlet flange. Left hand operated. Contact parts manufactured in 316 stainless steel with PTFE seals.

Options - right hand operation. Steam heated version. Available with high temperature seals. A version with 4 hole inlet is also available.

Specification

Weight	12.5 Kg
Design Pressure (MAWP)	7.5 Bar (108.8 PSI)
Hydraulic Test Pressure	11.25 Bar (163.2 PSI)
Design Temperature Range	-40°C to 200°C (-40°F to 392°F)

Approved to BS EN14432

Associated Parts

Associated Parts	Part No.
Outlet flange	368/0500
Outlet gasket	5005-417
Blind flange	360/8095
Bolting kit (outlet)	311/3500
Mating flange	20378
Inlet gasket to suit 20378 mating flange	5005-169
Bolting kit (inlet)	360/0300

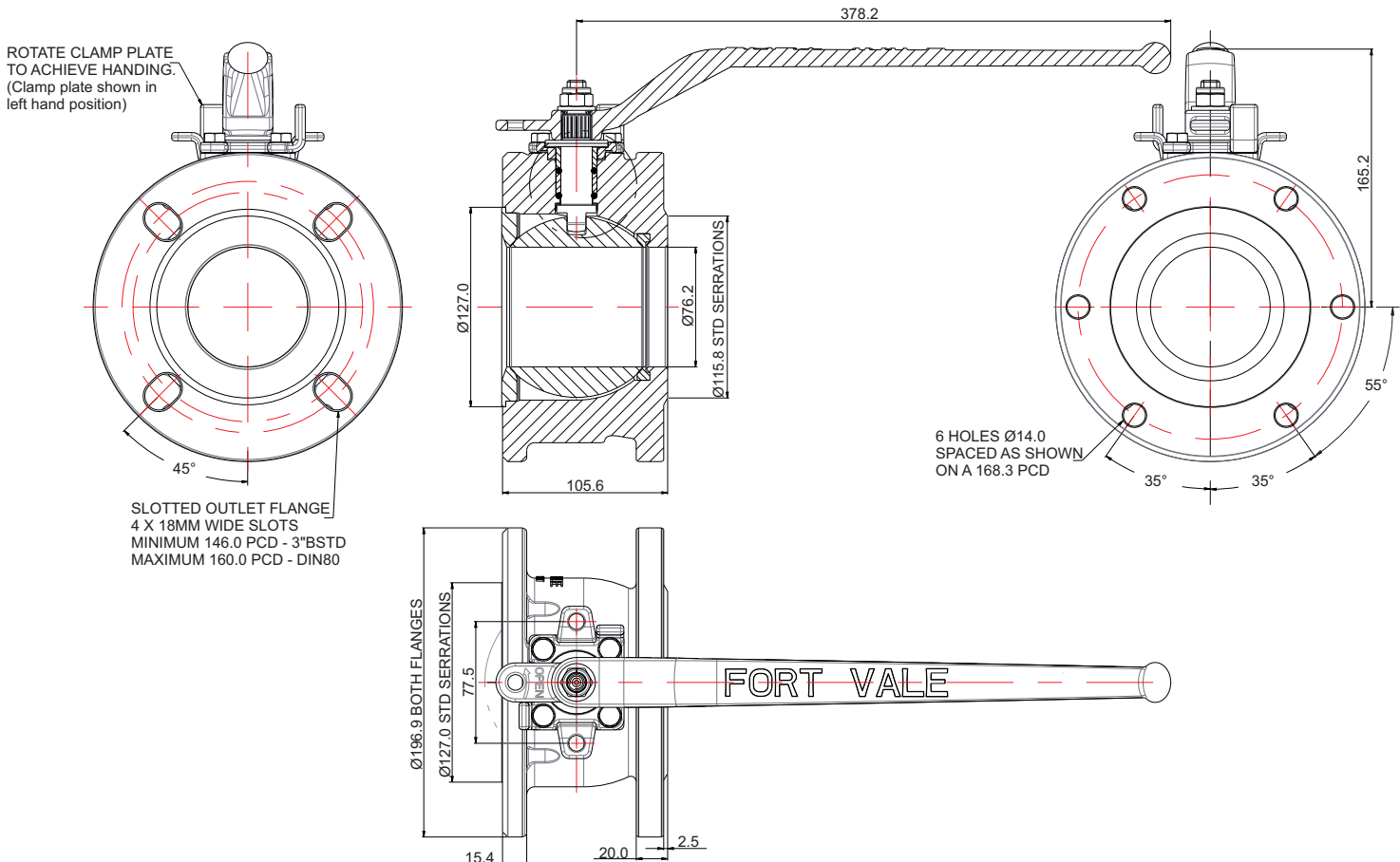
Range

Part No.	Description
360/5050X	3" standard ball valve, 6 hole inlet, 4 hole outlet
360/5050XHT	Fitted with high temperature seals
360/5050XSH	Steam heated valve
360/5030X	3" standard ball valve, 4 hole inlet, 4 hole outlet
360/5030XSH	Steam heated valve

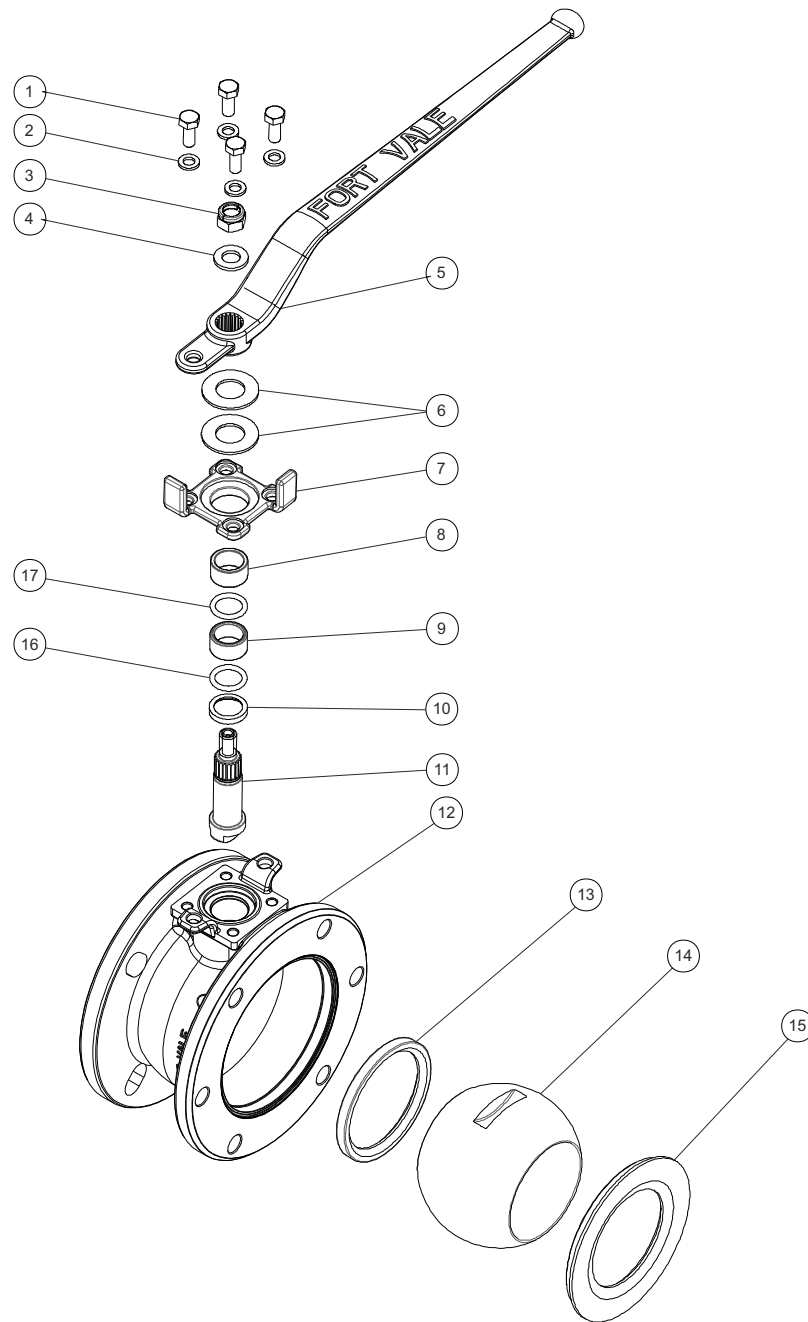
X in part number denotes whether left (L) or right (R) hand valve

Fitting Details

Example shown : 360/5050L



Parts drawing



Item	Description	Part No.
1	M8 hex head bolt (4)	5111-822
2	M8 spring washer (4)	5113-003
3	M12 self locking nut	5112-007 <input type="checkbox"/>
4	M12 washer	5123-003
5	Handle	360/3416 <input type="checkbox"/>
6	20mm Belleville washer (2)	5113-041
7	Clamp plate	360/5005
8	Top stuffing collar	360/3412 <input type="checkbox"/>

Item	Description	Part No.
9	Bottom stuffing collar	360/3413 <input type="checkbox"/>
10	Bottom bearing	360/3421 <input type="checkbox"/>
11	Spindle	360/3422 <input type="checkbox"/>
12	3" flanged ball valve body	360/5015
13	Back seal	360/3402 <input type="checkbox"/>
14	Solid ball plug	360/3401
15	Front seal	360/3405 <input type="checkbox"/>
16	PTFE O ring (2)	5005-113 <input type="checkbox"/>

SEAL KIT part number **360/50SK** contains all parts marked

REPAIR KIT part number **360/50RK** contains all parts marked