



Photo shows 65B/XXXXX with manual vent button

1" BSP Minnow IBC Relief Valve - 1" BSP male connection. Suitable for a pressure range of between 1 - 45 PSI (0.07 - 3.10 Bar) and a vacuum range of between 0.5" - 7" Hg (0.02 - 0.24 Bar). Contact parts manufactured in 316 stainless steel fitted with Viton seals as standard. Complete with PTFE tank seal.

Options - pressure only version. Alternative seal materials available. Manual vacuum vent button option. Ventlock option. 1" BSP female connection available. 1"NPT version.

Specification

| | |
|-------------------------|-----------------|
| Weight | 0.2 Kg |
| Seal Temperature Range: | |
| Viton | -20°C to +200°C |
| Perfluoroelastomer | -15°C to +240°C |
| EPDM | -20°C to +150°C |
| Silicone | -20°C to +200°C |

Operating Instructions available - OPIN05

Test certificates supplied as standard.

Visual inspection and service (where necessary) is recommended on a regular basis.

Range

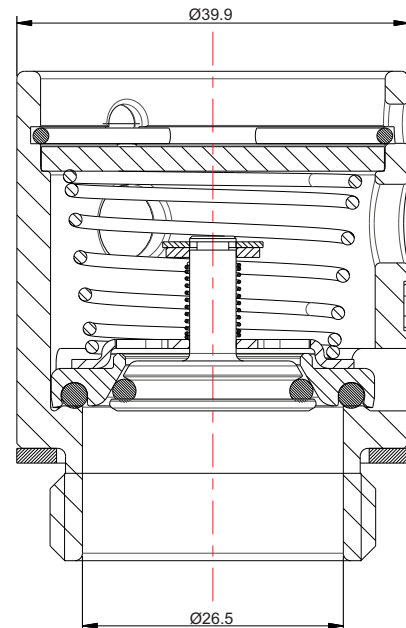
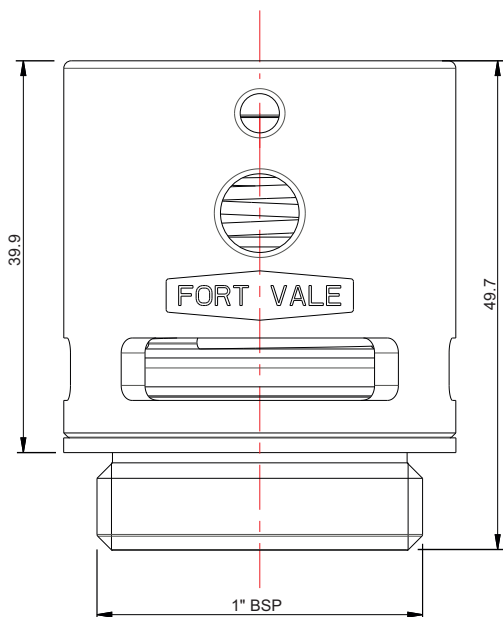
| Part No. | Description |
|-------------|---|
| 65/XXXXX | 1" BSPM standard valve |
| 65/XXXXXNPT | 1" NPT standard valve |
| 65B/XXXXX | 1" BSPM valve with manual vent button |
| 65BT/XXXXX | 1" BSPM valve with manual vent button & TIR facility |
| 68/XXXXX | 1" BSPM valve with manual vent button & ventlock facility |
| 66/XXXXX | 1" BSPF standard valve |
| 69/XXXXX | 1" BSPF valve with manual vent button & ventlock facility |

Associated Parts

| Part No. | Description |
|----------|----------------------------|
| 600/1025 | 1" tank weld-in socket |
| 600/1026 | 1" tank weld-in nipple |
| 179/0300 | 1" clamped type gauze ring |

Fitting Details

Example shown 65/XXXXX





1" BSP Minnow IBC Relief Valve - 1" BSP male connection. Suitable for a pressure range of between 1 - 45 PSI (0.07 - 3.10 Bar). Contact parts manufactured in 316 stainless steel fitted with Viton seals as standard. Complete with PTFE tank seal.

Options - combined pressure/vacuum version. Alternative seal materials available. Manual vent button option. Ventlock option. 1" BSP female connection available. 1"NPT version.

Specification

| | |
|--------------------------|-----------------|
| Weight | 0.18 Kg |
| Seal Temperature Range : | |
| Viton | -20°C to +200°C |
| Perfluoroelastomer | -15°C to +240°C |
| EPDM | -20°C to +150°C |
| Silicone | -20°C to +200°C |

Operating Instructions available - OPIN05

Test certificates supplied as standard.

Visual inspection and service (where necessary) is recommended on a regular basis.

Range

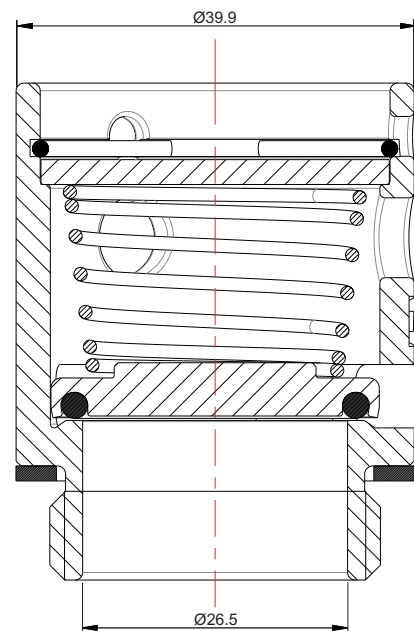
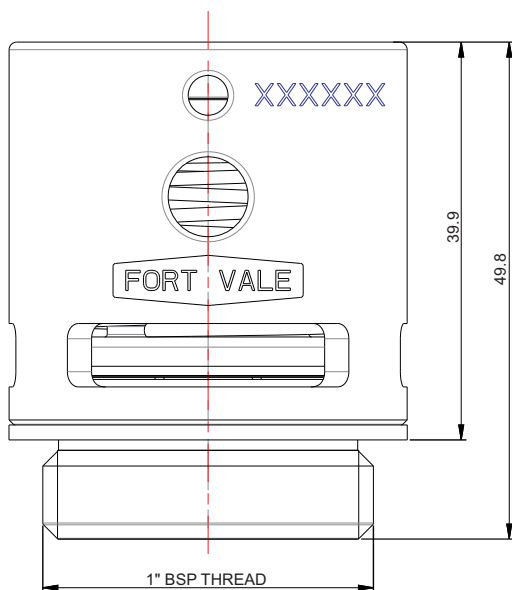
| Part No. | Description |
|-------------|---|
| 65/XXX00 | 1" BSPM standard valve |
| 65/XXX00NPT | 1" NPT standard valve |
| 65B/XXX00 | 1" BSPM valve with manual vent button |
| 65BT/XXX00 | 1" BSPM valve with manual vent button & TIR facility |
| 68/XXX00 | 1" BSPM valve with manual vent button & ventlock facility |
| 66/XXX00 | 1" BSPF standard valve |
| 69/XXX00 | 1" BSPF valve with manual vent button & ventlock facility |

Associated Parts

| Part No. | Description |
|----------|----------------------------|
| 600/1025 | 1" tank weld-in socket |
| 600/1026 | 1" tank weld-in nipple |
| 179/0300 | 1" clamped type gauze ring |

Fitting Details

Example shown 65/XXX00





1" BSP Minnow Ventlock IBC Relief Valve - 1" BSP male connection. Suitable for a pressure range of between 1 - 9 PSI (0.07 - 0.62 Bar) and a vacuum range of between 0.5" - 7" Hg (0.02 - 0.24 Bar). Contact parts manufactured in 316 stainless steel fitted with Viton seals as standard. Complete with manual vent button, ventlock facility and PTFE tank seal.

The locking bracket can only be used at pressures of 9 PSI and below. For greater pressures, a valve without the locking bracket is required (See REL019 & REL020)

Options - Alternative seal materials available. 1" BSP Female thread connection available. 1" NPT version.

Specification

| | |
|--------------------------|-----------------|
| Weight | 0.2 Kg |
| Seal Temperature Range : | |
| Viton | -20°C to +200°C |
| Perfluoroelastomer | -15°C to +240°C |
| EPDM | -20°C to +150°C |
| Silicone | -20°C to +200°C |

Test certificates supplied as standard.

Visual inspection and service (where necessary) is recommended on a 6 monthly basis.

Range

| Part No. | Description |
|--------------|---|
| 65/XXXXXX | 1" BSPM standard valve |
| 65/XXXXXXNPT | 1" NPT standard valve |
| 65B/XXXXXX | 1" BSPM valve with manual vent button |
| 65BT/XXXXXX | 1" BSPM valve with manual vent button & TIR facility |
| 68/XXXXXX | 1" BSPM valve with manual vent button & ventlock facility |
| 66/XXXXXX | 1" BSPF standard valve |
| 69/XXXXXX | 1" BSPF valve with manual vent button & ventlock facility |

Associated Parts

| Part No. | Description |
|----------|----------------------------|
| 600/1025 | 1" Tank weld-in socket |
| 600/1026 | 1" Tank weld-in nipple |
| 179/0300 | 1" Clamped type gauze ring |

Fitting Details

Example shown 68/XXXXXX

