



1½" BSP Twinact Relief Valve - 1½" BSP male connection. Suitable for a pressure range of between 1 to 64 PSI (0.07 to 4.41 Bar) and a vacuum range of between 0.5" to 28" Hg (0.02 to 0.94 Bar). Contact parts manufactured in 316 stainless steel fitted with Fortyt (FEP encapsulated silicone O ring) seals as standard. Complete with manual vent button and CNAF tank seal.

Options - pressure only version. 50mm DIN11851 connection for hygienic applications. Viton seal available. Other seal materials available. Clamped gauze ring available.

Specification

Weight	0.76 Kg
Fortyt seal Temperature Range	-55°C to +200°C
Viton seal Temperature Range	-20°C to +200°C

i Operating Instructions available - OPIN03

In-house test certificates confirming valve settings and serial numbers are supplied as standard.

Visual inspection and service (where necessary) is recommended on a regular basis.

Range

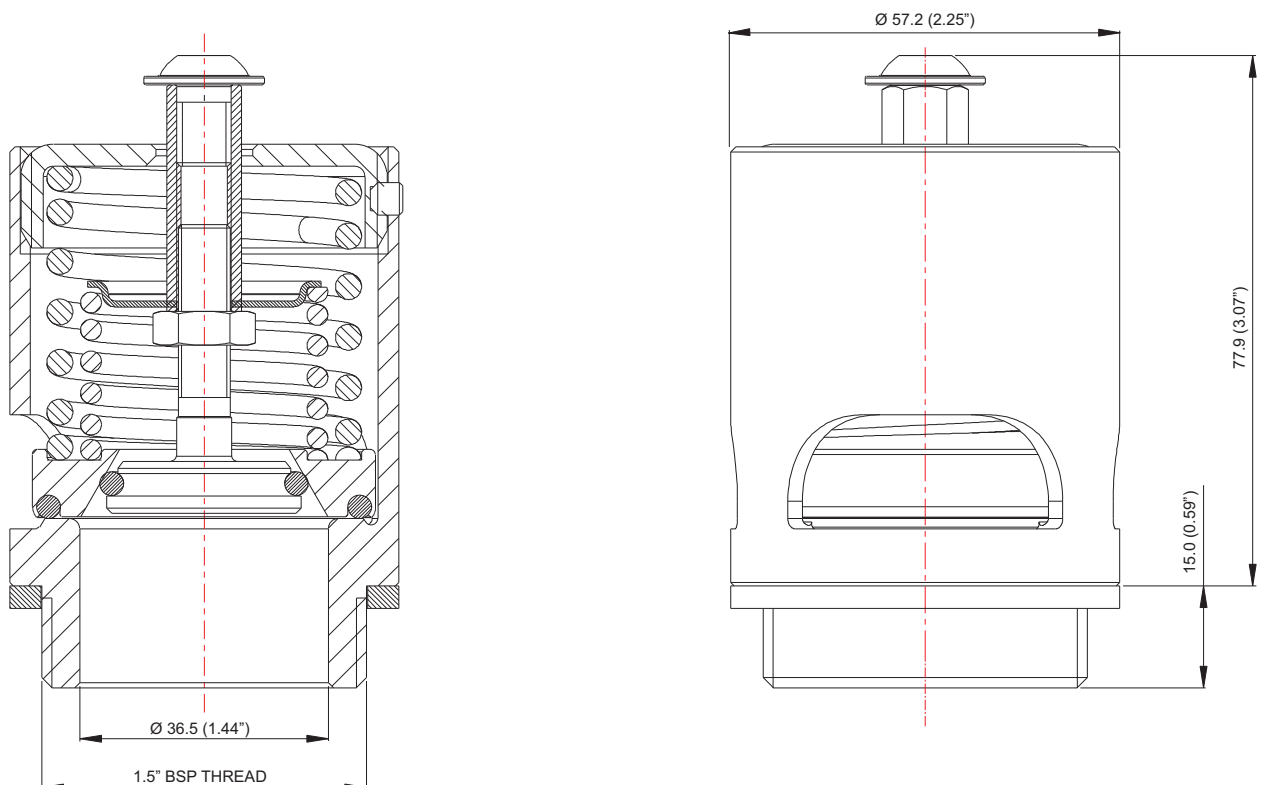
Part No.	Description
30/XXXXX	Standard pressure/vacuum valve
30/XXX00	Standard pressure only valve
3M/XXXXX	1½" Twinact 50mm DIN11851 connection
30/XXXXXH	1½" Twinact with Alloy C276 wetted parts

Associated Parts

Part No.	Description
600/1010	1½" tank weld-in socket
200/5000	1½" clamped gauze ring
5005-012	PTFE tank seal

Fitting Details

Example shown : 30/XXXXX





1½" BSP Twinact Relief Valve - 1½" BSP male connection. Suitable for a pressure range of between 1 to 64 PSI (0.07 to 4.41 Bar). Contact parts manufactured in 316 stainless steel fitted with Fortyt (FEP encapsulated silicone O ring) seal as standard. Complete with CNAF tank seal.

Options - combined pressure/vacuum version. 50mm DIN11851 connection for hygienic applications. Viton seal available. Other seal materials available.

Specification

Weight 0.7 Kg
 Fortyt Seal Temperature Range -55°C to +200°C
 Viton Seal Temperature Range -20°C to +200°C

i Operating Instructions available - OPIN03

In-house test certificates confirming valve settings and serial numbers are supplied as standard.

Visual inspection and service (where necessary) is recommended on a regular basis.

Range

Part No.	Description
30/XXX00	Standard pressure only valve
30/XXXXX	Standard pressure/vacuum valve
3M/XXXXX	1½" Twinact 50mm DIN11851 connection

Associated Parts

Part No.	Description
600/1010	1½" tank weld-in socket
200/5000	1½" clamped gauze ring
5005-012	PTFE tank seal

Fitting Details

Example shown : 30/XXX00

