



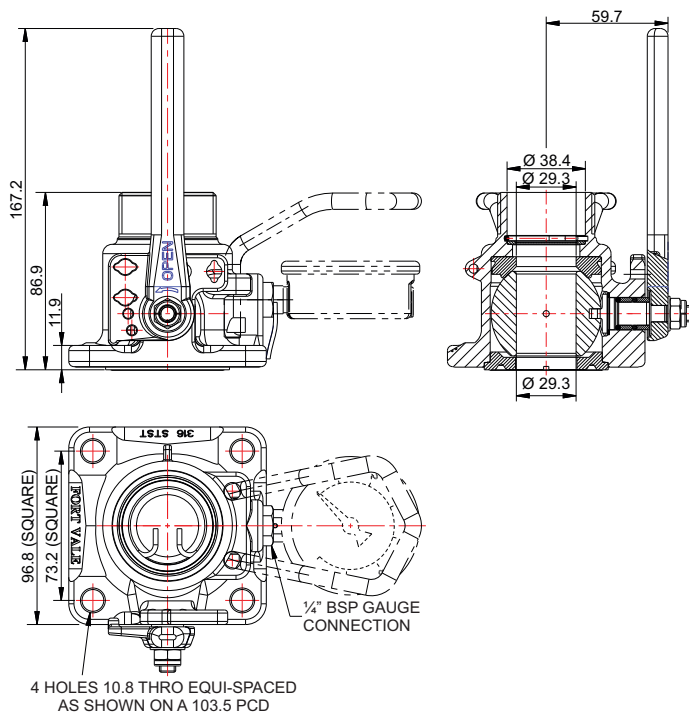
**1½" Airline Ball Valve** - 1½" BSP male inlet.

Complete with pressure gauge connection and TIR facility to handle. Contact parts manufactured in 316 stainless steel with PTFE seals.

**Options** - gauge guard and/or gauze filter, ¼" BSP plug with TIR wire.

**Fitting Details**

Part Number : 530/0000



**Specification**

Weight	2.9 Kg
Design Pressure	MAWP 10 Bar (145 PSIG)
Test Pressure	21.4 Bar (310 PSIG)
Design Temperature	-55°C to 205°C (-67°F to 401°F)

Approved to BS EN14432.

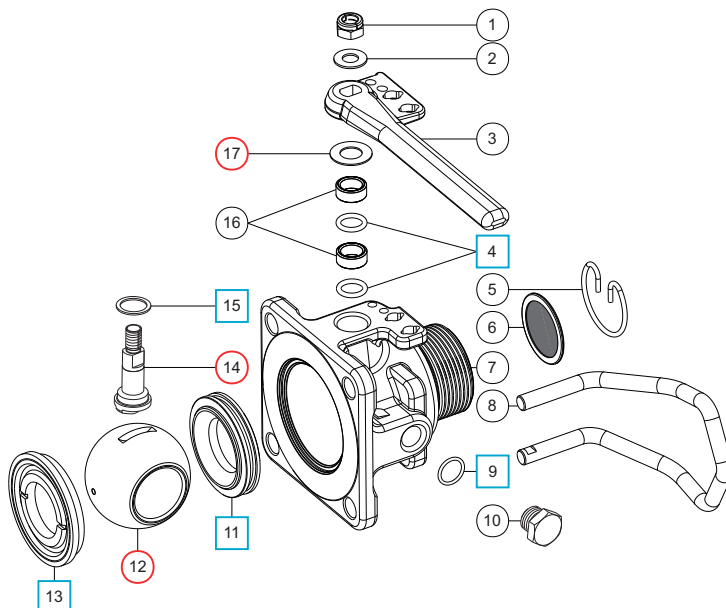
**Range**

Part No.	Description
530/0000	1½" BSP inlet standard valve.
530/0000F	1½" BSP inlet valve with gauze.
530/0000G	1½" BSP inlet valve with gauge guard.
530/0000FG	1½" BSP inlet valve with gauze and gauge guard.
530/0000W	1½" BSP inlet valve with ¼" BSP plug and TIR wire.

**Associated Parts**

Associated Parts	Part No.
Gauge	920/07BBSP
Gauge Adaptor	352/4004
1½" BSP Dust Cap	10300PS
Stud Kit	350/1300
Tank Pad	350/0025

**Parts drawing**



Item	Description	Part No.
1	Self-locking nut	5112-031
2	M8 washer	5113-005
3	Handle	531/0025
4	PTFE O ring (2)	5005-008 <input type="checkbox"/> <input type="radio"/>
5	Snap ring (optional suffix 'F')	5120-017
6	Gauze filter (optional suffix 'F')	353/0010
7	Valve body	530/0100
8	Gauge guard (optional suffix 'G')	530/0040
9	PTFE O ring	5005-048 <input type="checkbox"/> <input type="radio"/>
10	¼" BSP plug	5128-005
11	Front ball seal	5005-006 <input type="checkbox"/> <input type="radio"/>
12	Ball	350/0002 <input type="radio"/>
13	Rear ball seal	5005-007 <input type="checkbox"/> <input type="radio"/>
14	Spindle	530/0001 <input type="radio"/>
15	PTFE washer	5003-002 <input type="checkbox"/> <input type="radio"/>
16	Stuffing boss (2)	530/0003
17	Disc spring	5113-036 <input type="radio"/>

**Repair Kits:** Items marked  are included in Repair Kit 530/00RK  
**Seal Kits:** Items marked  are included in Seal Kit 530/00SK