



Fort Vale "Drytyt" couplings are compatible & interchangeable with Todo®, Mann-Tek® & Avery Hardoll® units.

Range

Part No.	Description
895X/0700A00	70mm hose unit, 2" BSP inlet
895X/0700C00	70mm hose unit, 2" NPSL inlet
895X/0700F00	70mm hose unit, 2" BSP inlet with low profile handle

"X" is variable and designates seal material, see Table below.

Seal Code	Seal Material	Seal Temp. Range
895V/	Viton	-20°C to +200°C
895P/	Perfluoroelastomer	-15°C to +200°C
895E/	EPDM	-40°C to +150°C
895N/	Nitrile	-30°C to +100°C
895B/	Butyl	-40°C to +150°C
895K/	Kalrez	-15°C to +200°C

70mm "Drytyt" Hose Unit - 2" BSP inlet with built-in swivel; 70mm outlet. Manufactured in 316 stainless steel. A range of seal materials is available.

Options : Available in 70mm, 105mm, 119mm, 164mm, alternative inlet connections. All industry standard selective positions available. (See separate sheet COUP003 for details) Specific branded Perfluoroelastomer seals available on request.

Specification

Weight	2.95 Kg *See Note
Maximum Coupling Pressure	7 Barg (101.5 PSIG)
Static Design Pressure (MAWP)	25 Barg (362.5 PSIG)
Hydraulic Test Pressure	37.5 Barg (544.0 PSIG)
Max. Design Temperature	200°C (392°F) **Note
Min. Design Temperature	-40°C (-40°F) **Note

Note : * weight varies according to specification
** metal parts only, see seal limitations

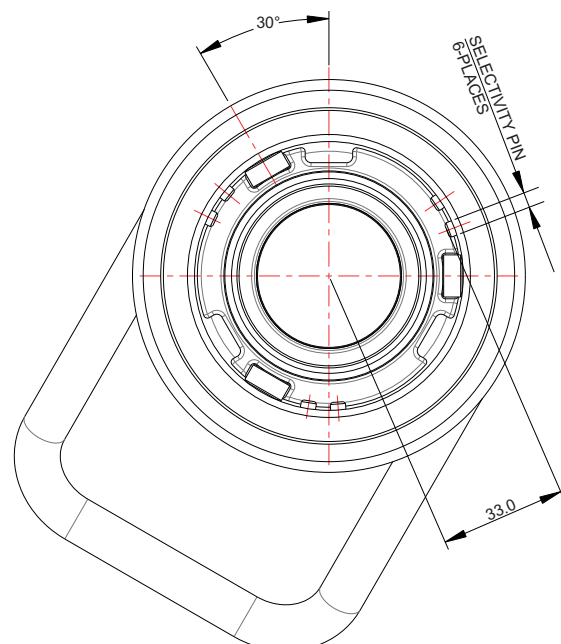
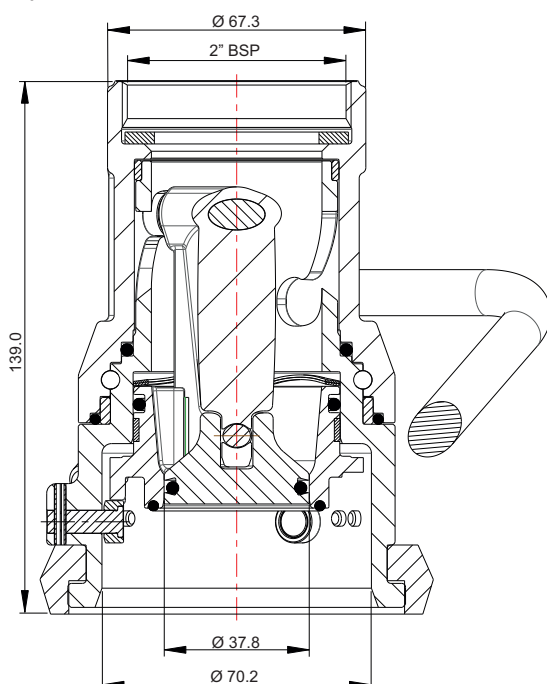
Approved to BS EN12516-2.

Associated Parts

Part No.	Description
376X/B700AXX	70mm tank unit, threaded inlet
376X/B700BXX	70mm tank unit, flanged inlet
915/5171	70mm rubber dust plug

Fitting Details

Example Shown : 895X/0700AXX





Fort Vale "Drytyt" couplings are compatible & interchangeable with Todo®, Mann-Tek® & Avery Hardoll® units.

Range

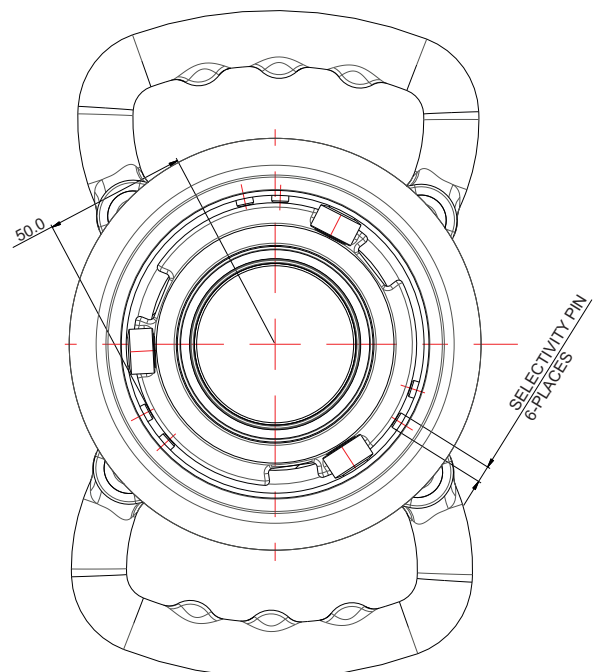
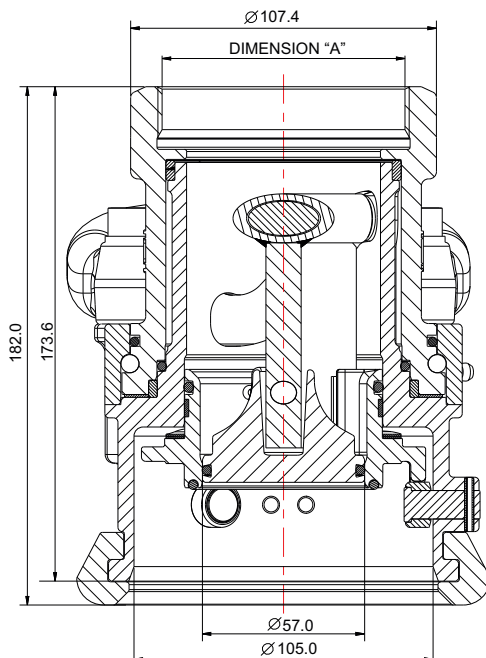
Part No.	Description
895X/1050A00	105mm hose unit, 3" BSP inlet
895X/1050B00	105mm hose unit, 2 1/2" BSP inlet
895X/1050C00	105mm hose unit, 3" NPSL inlet
895X/1050F00	105mm hose unit, 3" ASA 150 flanged inlet
895X/1050G00	105mm hose unit, DN80 PN25/40 flanged inlet

"X" is variable and designates seal material, see Table below.

Seal Code	Seal Material	Seal Temp. Range
895V/	Viton	-20°C to +200°C
895P/	Perfluoroelastomer	-15°C to +200°C
895E/	EPDM	-40°C to +150°C
895N/	Nitrile	-30°C to +100°C
895B/	Butyl	-40°C to +150°C
895K/	Kalrez	-15°C to +200°C

Fitting Details

Part Number : 895X/1050AXX indicates 3" BSP inlet - see DIMENSION "A"
895X/1050BXX indicates 2 1/2" BSP inlet - see DIMENSION "A"



Specification

Weight	8.97 Kg *See Note
Maximum Coupling Pressure	7 Barg (101.5 PSIG)
Static Design Pressure (MAWP)	25 Barg (362.5 PSIG)
Hydraulic Test Pressure	37.5 Barg (544.0 PSIG)
Max. Design Temperature	200°C (392°F) **Note
Min. Design Temperature	-40°C (-40°F) **Note

Note : *weight varies according to specification
** metal parts only, see seal limitations

Approved to BS EN12516-2

Associated Parts

Part No.	Description
376X/B050A00	105mm tank unit, threaded inlet
376X/B050B00	105mm tank unit, flanged inlet



Fort Vale "Drytyt" couplings are compatible & interchangeable with Todo®, Mann-Tek® & Avery Hardoll® units.

Range

Part No.	Description
895X/1190A00	119mm hose unit, 3" BSP inlet

"X" is variable and designates seal material, see Table below.

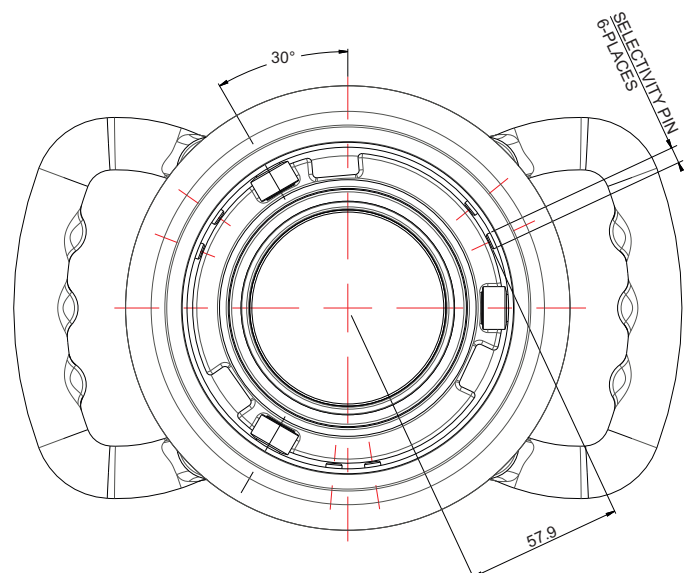
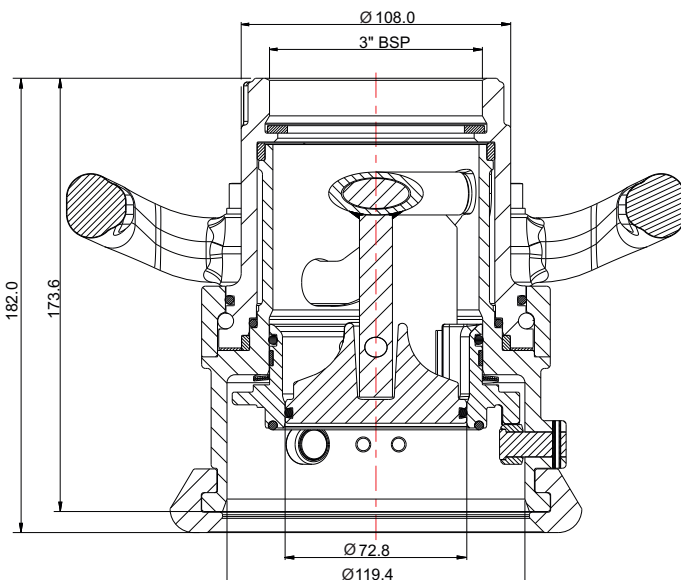
Seal Code	Seal Material	Seal Temp. Range
895V/	Viton	-20°C to +200°C
895P/	Perfluoroelastomer	-15°C to +200°C
895E/	EPDM	-40°C to +150°C
895N/	Nitrile	-30°C to +100°C
895B/	Butyl	-40°C to +150°C
895K/	Kalrez	-15°C to +200°C

Associated Parts

Part No.	Description
376X/B190A00	119mm tank unit, threaded inlet
376X/B190B00	119mm tank unit, flanged inlet

Fitting Details

Example Shown : 895X/1190AXX



119mm "Drytyt" Hose Unit - 3" BSP inlet with built-in swivel; 119mm outlet. Manufactured in 316 stainless steel fitted. A range of seal materials is available.

Options : Available in 70mm, 105mm, 119mm, 164mm, with alternative inlet connections. All industry standard selective positions available. (See separate sheet COUP013 for details) Specific branded Perfluoroelastomer seals available on request.

Specification

Weight 10.02 Kg *See Note

Design Condition - 1 (20 Barg)

Maximum Coupling Pressure 4 Barg (58 PSIG)
 Static Design Pressure (MAWP) 20 Barg (290.0 PSIG)
 Hydraulic Test Pressure 30 Barg (435.0 PSIG)
 Max. Design Temperature 200°C (392°F) **Note
 Min. Design Temperature -40°C (-40°F) **Note

Design Condition - 2 (25 Barg)

Maximum Coupling Pressure 4 Barg (58 PSIG)
 Static Design Pressure (MAWP) 25 Barg (362.5 PSIG)
 Hydraulic Test Pressure 37.5 Barg (543.8 PSIG)
 Max. Design Temperature 100°C (212°F) **Note
 Min. Design Temperature -29°C (-20°F) **Note

Note : *weight varies according to specification
 ** metal parts only, see seal limitations

Designed to STANAG 3756 (Edition 4) - NATO Standardization Agency. (119mm size only)

Approved to BS EN12516-2



Fort Vale "Drytyt" couplings are compatible & interchangeable with Todo®, Mann-Tek® & Avery Hardoll® units.

Range

Part No.	Description
895X/1640A00	164mm hose unit, 4" BSP inlet

"X" is variable and designates seal material, see Table below.

Seal Code	Seal Material	Seal Temp. Range
895V/	Viton	-20°C to +200°C
895P/	Perfluoroelastomer	-15°C to +200°C
895E/	EPDM	-20°C to +150°C
895N/	Nitrile	-20°C to +100°C
895B/	Butyl	-30°C to +120°C
895K/	Kalrez	-15°C to +200°C

Associated Parts

Part No.	Description
376X/B640A00	164mm tank unit, threaded inlet
376X/B640B00	164mm tank unit, flanged inlet

164mm "Drytyt" Hose Unit - 4" BSP inlet with built-in swivel; 164mm outlet. Manufactured in 316 stainless steel. A range of seal materials is available.

Options : Available in 70mm, 105mm, 119mm, 164mm with alternative inlet connections. All industry standard selective positions available. (See separate sheet COUP014 for details). Specific branded Perfluoroelastomer seals available on request.

Specification

Weight 16.71 Kg *See Note

Design Condition - 1 (10.0 Barg)

Maximum Coupling Pressure 4 Barg (58 PSIG)
 Static Design Pressure (MAWP) 10 Barg (145 PSIG)
 Hydraulic Test Pressure 15 Barg (217.5 PSIG)
 Max. Design Temperature 200°C (392°F) **Note
 Min. Design Temperature -40°C (-40°F) **Note

Design Condition - 2 (18.9 Barg)

Maximum Coupling Pressure 4 Barg (58 PSIG)
 Static Design Pressure (MAWP) 18.9 Barg (274.1 PSIG)
 Hydraulic Test Pressure 28.4 Barg (412 PSIG)
 Max. Design Temperature 175°C (347°F) **Note
 Min. Design Temperature -40°C (-40°F) **Note

Note : *weight varies according to specification
 ** metal parts only, see seal limitations

Approved to BS EN12516-2.

Fitting Details

Example Shown : 895X/1640AXX

