

**Part Number - 94/3690XX/X**

The 4" TTMA Check Valve with fluid transfer hole suits the 4" Safeload range of bottom loading couplers.

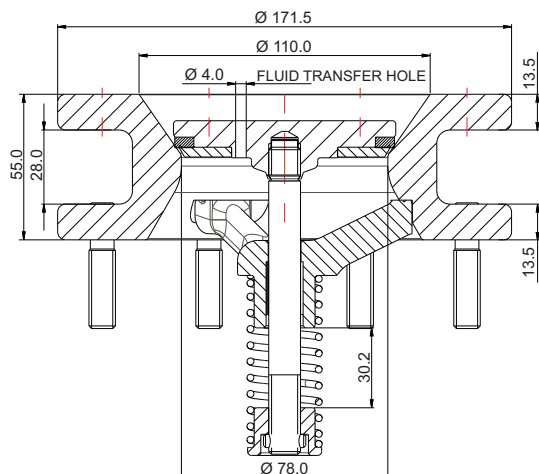
It is designed for use on a flexible hose as a secure secondary closure - i.e. the Safeload coupler may be removed from the loading arm for maintenance without needing to drain the hose fully, thereby reducing loss of fuel. The Safeload Check valve also prevents fraudulent gravity drainage and theft of the fuel in the loading arm.

Inlet flange (hose connection) drilled 8 x 11mm holes equi-spaced on a 149.2mm PCD (4" TTMA). Manufactured in aluminium and stainless steel, fitted with Viton B seal as standard.

Options - Alternative seal materials available. Spring pressure options dependant upon static head pressure in the hose.


Fitting Details

Weight : 2.43 Kg



Range

X value in above part number indicates variables :

94/3690XX/X - Seal option

Part No.	Seal Specification	Temp. Range
94/3690VB/X	Viton B	-13°C to +50°C +9°F to +122°F
94/3690GF/X	Viton GFLT-S	-23°C to +50°C -9°F to +122°F
94/3690MF/X	Ultra-low temp. Fluorocarbon	-40°C to +50°C -40°F to +122°F

94/3690XX/X - Spring pressure option

Part No.	Poppet spring pressure rating
94/3690XX/1	Spring setting 0.13 Bar
94/3690XX/2	Spring setting 0.2 Bar
94/3690XX/3	Spring setting 0.3 Bar
94/3690XX/4	Spring setting 0.4 Bar