

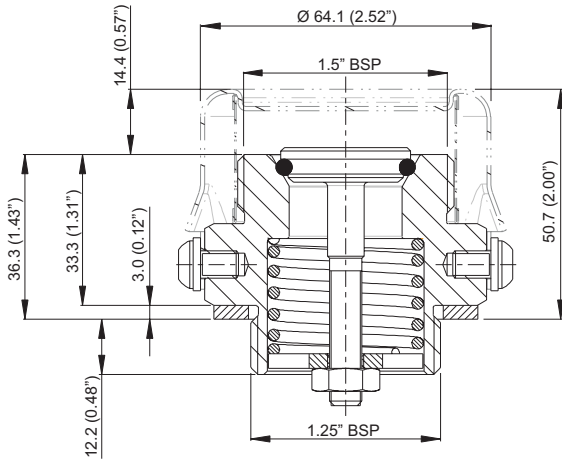


1¼" BSP Uniact Relief Valve - 1¼" BSP connection. Suitable for a pressure range of between 2 - 26 PSI (0.13 - 1.79 Bar). Single acting valve - pressure only. Manufactured in 316 stainless steel fitted with Fortyt seal (FEP encapsulated silicone O ring) as standard.

Options - vacuum only version. 1½" and 2" BSP versions. Flanged 1½" BSP version available. May be supplied with cowl or gauzed cap. Viton, Perfluoroelastomer, EPDM and High temperature Fortyt O rings available.

Fitting Details

Example shown 44/XXX00AX

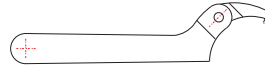


Specification

Weight 0.65 Kg

In-house test certificates confirming valve settings and serial numbers are supplied as standard.

Visual inspection and service (where necessary) is recommended on a 6 monthly basis.



C SPANNER - PART NUMBER 400/3000

For relief valve fitting and removal. Size range 1¼" to 3"

Range

Part No.	Description
44/XXX00A	1¼" BSP valve
44/XXX00AC	1¼" BSP valve, cowl
44/XXX00AGZ	1¼" BSP valve, cowl and gauze

Associated Parts

Part No.	Associated Parts
600/1018	1¼" BSP tank weld-in socket
10217/1	Pressed stainless steel cap
10217/1GZ	Pressed stainless steel cap with gauze

Parts Drawing

44/XXX00AGZ illustrated

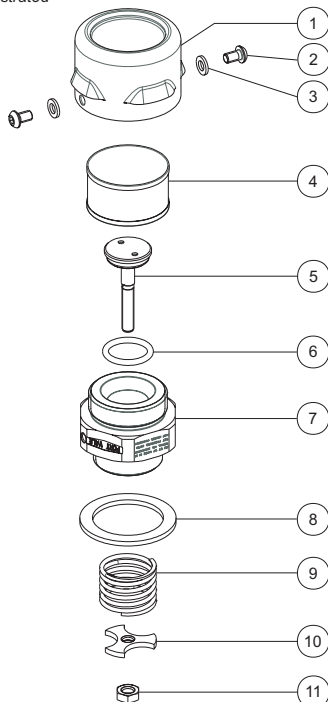


TABLE 1

Item	Description	Part No.
1	Cap	10217/1
2	M6 button screw (2)	5111-611
3	M6 spring washer (2)	5113-008
4	Gauze ring	10204
5	Poppet	11007
6	O ring (<i>see table 1</i>)	5005-XXX
7	Body	10212
8	2" PTFE cap seal	10327P
9	Pressure spring (<i>see table 2</i>)	5104-XXX
10	Spring pad	10224
11	M8 half nut	5112-004

TABLE 2

O ring Material	Temp. Range	Pressure Seal
Viton	-20°C to +200°C	5005-112
Fortyt	-55°C to +200°C	5005-114
Perfluoroelastomer	-15°C to +260°C	5005-001
EPDM	-20°C to +150°C	5005-518
High Temp. Fortyt	-55°C to +260°C	5005-114PFA

Pressure Setting	Pressure Spring
25 PSI	5104-625

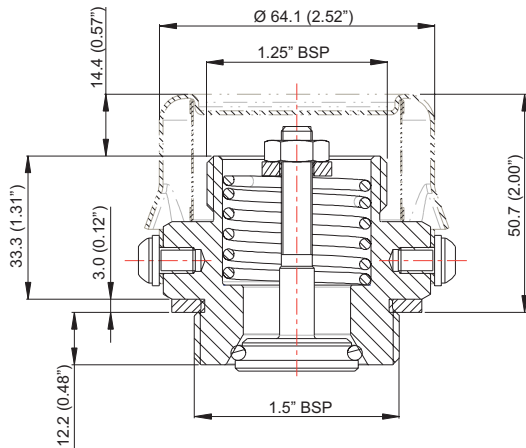


1 1/4" BSP Uniact Relief Valve - 1 1/4" BSP connection. Suitable for a vacuum range of between 0.5" to 26" Hg (-0.02 to -0.9 Bar). Single acting valve - vacuum only. Manufactured in 316 stainless steel fitted with Fortyt seal (FEP encapsulated silicone O ring) as standard.

Options - pressure only version. 1 1/2" and 2" BSP versions. Flanged 1 1/2" BSP version available. May be supplied with cowl or gauzed cap. Viton, Fortyt, Perfluoroelastomer, EPDM and High Temperature Fortyt O rings available.

Fitting Details

Example shown 44/X00XXAX



Specification

Weight 0.65 Kg

In-house test certificates confirming valve settings and serial numbers are supplied as standard.

Visual inspection and service (where necessary) is recommended on a 6 monthly basis.



C SPANNER - PART NUMBER 400/3000

For relief valve fitting and removal. Size range 1 1/4" to 3"

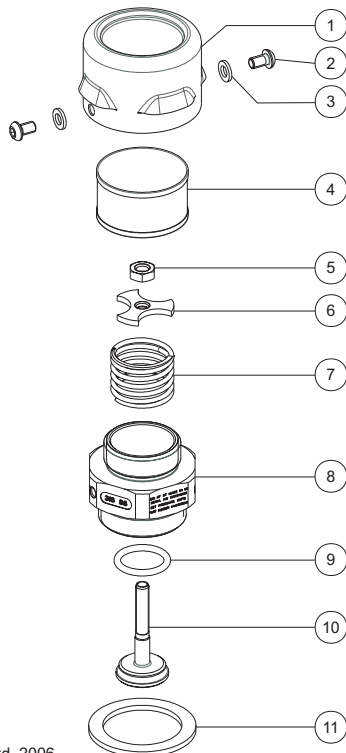
Range

Part No.	Description
44/X00XXA	1 1/4" BSP valve
44/X00XXAC	1 1/4" BSP valve, cowl
44/X00XXAGZ	1 1/4" BSP valve, cowl and gauze

Associated Parts

Part No.	Associated Parts
600/1018	1 1/4" BSP tank weld-in socket
10217/1	Pressed stainless steel cap
10217/1GZ	Pressed stainless steel cap with gauze

Fitting Details



Item	Description	Part No.
1	Cap	10217/1
2	M6 button screw (2)	5111-611
3	M6 spring washer (2)	5113-008
4	Gauze ring	10204
5	M8 half nut	5112-004
6	Spring pad	10224
7	Spring (see table 1)	5104-XXX
8	Body	10214
9	O ring (see table 2)	5005-XXX
10	Poppet	11007
11	2" PTFE cap seal	10327P

TABLE 1

Vacuum Setting	Vacuum Spring
1" Hg	5104-761

TABLE 2

O Ring Material	Temp. Range	Seal
Viton	-20°C to +200°C	5005-112
Fortyt	-55°C to +200°C	5005-114
Perfluoroelastomer	-15°C to +260°C	5005-001
EPDM	-20°C to +150°C	5005-518
High Temp. Fortyt	-55°C to +260°C	5005-114PFA