

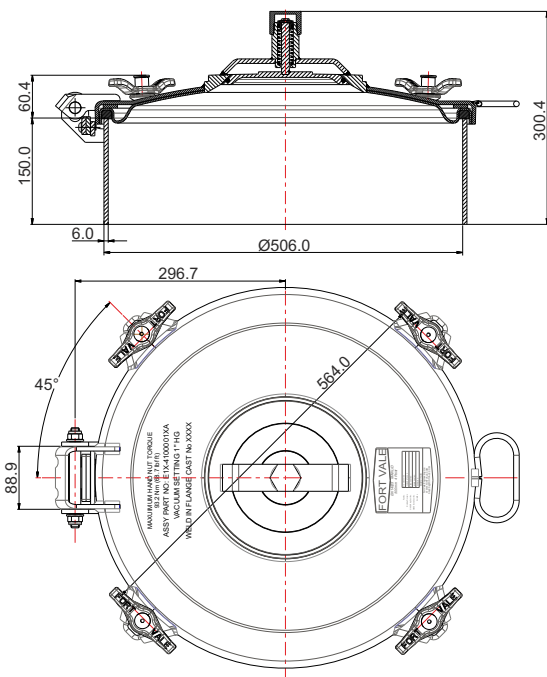


500mm Manlid Assembly with Flash Vacuum Vent - to suit Hygienic applications. 4 point fastening. 6mm thick x 150mm deep neckring. Manlid cover fitted with a flash vacuum vent set at 1"Hg (0.03 Bar). Neckring contact parts manufactured in 304 stainless steel. Manlid cover contact parts manufactured in 316 stainless steel. Fitted with stainless steel swingbolts with stainless steel handnuts. Seal supplied separately.

**Options** - alternative settings for vacuum vent valve. A range of neckring depths is available. Neckring may be profiled and/or supplied in 316 stainless steel. Other fittings, eg. sockets may be incorporated into the manlid cover. Alternative swingbolt assemblies are available.

**Fitting Details**

Part Number : E1B-4100001AA



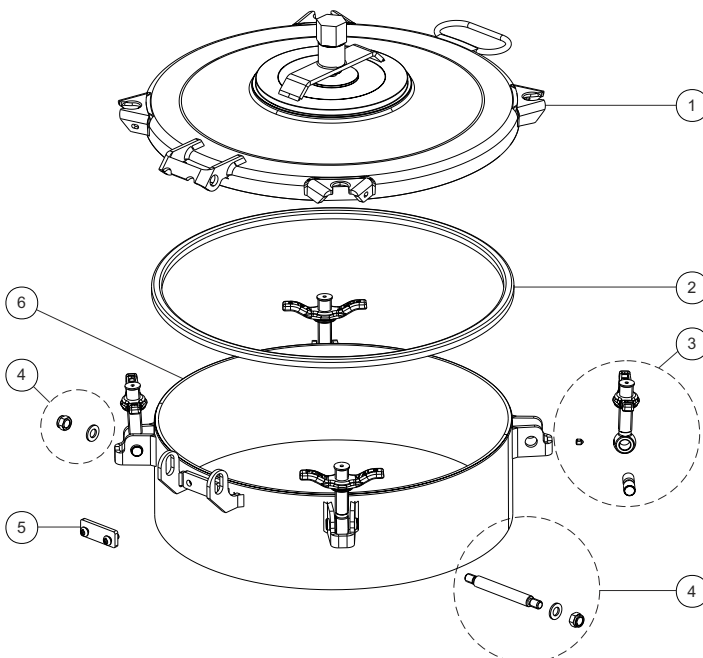
**Specification**

Weight	38 Kg *See Note
Design Pressure (MAWP)	1.0 Bar (14.5 PSI)
Test Pressure	1.5 Bar (21.75 PSI)
Design Temperature Range	-20°C to 200°C (-4°F to 392°F)

Approved to BS EN14025

Note : Weight may vary according to specification

**Parts drawing**



Item	Description	Part No.
1	Cover with vac vent *See note	71E/0520PV02
2	500mm 16 x 10mm seal	See separate sheet
3	Swingbolt assembly (4) *Note	4965379
4	Hinge pin assembly	600/1060
5	Hinge kit *See note	135A
6	Neckring *See note	66E/46150A304

**Note** : Part number varies according to specification.

See data sheet reference **MAN028** for our range of seal materials.