

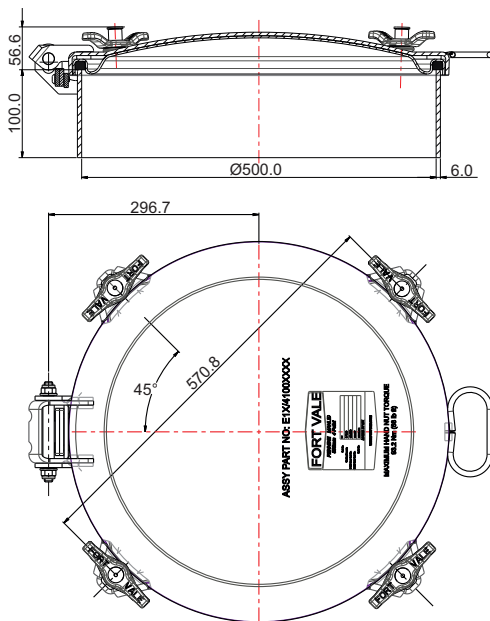


500mm Low Pressure Pendle Manlid Assembly - 4 point fastening cover. 6mm x 100mm straight neckring. Contact parts manufactured in 316 stainless steel with stainless steel swingbolts and handnuts. Seal supplied separately.

Options - 100mm, 150mm, 200mm, 250mm, 300mm deep neckrings. Neckring profiling available to suit a tank radius from 600mm to 1220mm. 135° and 120° opening. Stainless steel swingbolt with naval brass handnut available.

Fitting Details

Example shown : E1C/4100100A



Specification

Weight	30 Kg * See NB
Design Pressure (MAWP)	1 Bar (14.5 PSI)
Test Pressure	1.5 Bar (21.8 PSI)
Design Temperature Range	-40°C to 200°C (-40°F to 392°F)

***NB** Weight varies according to specification.

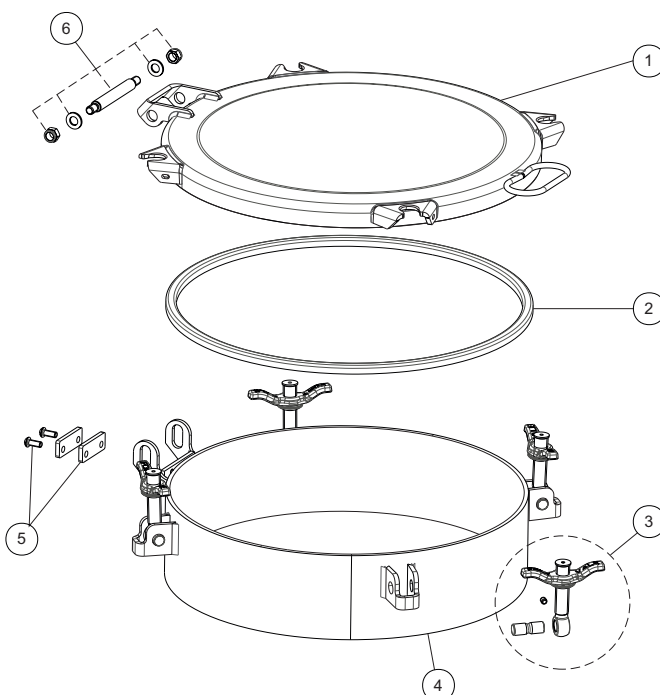
Approved to BS EN14025

Recommended handnut torque : 68Nm (50 Lb/ft)

Range

Part No.	Description
E1X/4100XXXX	316 st.st. with straight neckring
E1X/41XXXXXX	316 st.st. with profiled neckring
E1X/4100XXXXA	Assy with 304 st.st. straight neck
E1X/4100XXXXM	Assy with mild steel straight neck

Parts drawing



Item	Description	Part No.
1	Manlid cover	71E/0500
2	Manlid seal - <i>sold separately</i>	5005-50XXX
3	Swingbolt assembly (4) * See Note A	496/X379
4	Neckring * See Note B	66E/46XXXXA
5	Hinge kit * See Note B	135B
6	Hinge pin assembly	600/1060

Note A

'X' in swingbolt assembly part number denotes handnut material :

1 = naval brass

5 = stainless steel

E = low profile stainless steel/brass composite

Note B

Part number varies according to specification.