

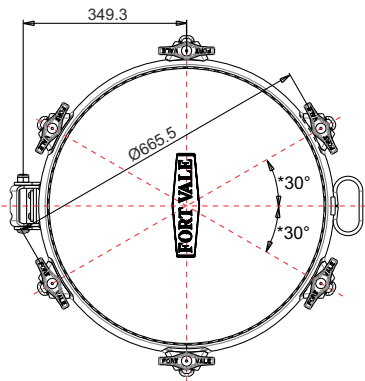
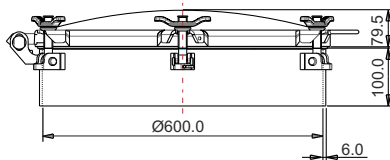


600mm Manlid Assembly - 6 point fastening fabricated cover. 6mm thick x 100mm deep neckring. Contact parts manufactured in 316 stainless steel. Stainless steel swingbolts with naval brass handnuts. Seal supplied separately.

Options - 3 Bar 6 point version and 4 Bar 8 point version. 100mm to 400mm deep neckrings. Stainless steel swingbolts with stainless steel handnuts. Profiled and compensated version. Carbon steel (SA516 G60) neckring available.

Fitting Details

Example shown : 63X/6100100B



* 8 point = 22½°

Specification

Weight	37.8 Kg *See note
Design Pressure (MAWP)	3 Bar (43.5 PSI)
Test Pressure	4.5 Bar (65.25 PSI)
Design Temperature Range	-29°C to 200°C (-20.2°F to 392°F)

* NB Weight will vary according to specification

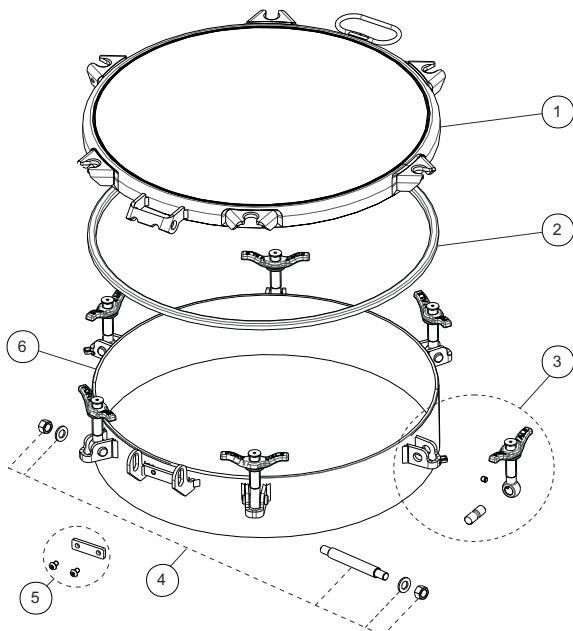
Range

Part No.	Points	MAWP	Neckring	Material
63X/6100100B	6	3 Bar	6 x 100mm	St Steel
63X/6100100BM	6	3 Bar	6 x 100mm	Carbon Steel neck
64X/8100100B	8	4 Bar	6 x 100mm	St Steel

00 in part number above denotes straight neckring.

X in part number above denotes the hinge kit.

Parts drawing



Item	Description	Part No.
1	Cover *See NB	606/2500P
2	Seal	See separate sheet
3	Swingbolt assembly (6)	496/X400 *See Note
4	Hinge pin assembly	600/1060
5	Hinge kit *See NB	135A
6	Neckring *See NB	666/66XXXA

* NB Part numbers will vary according to specification

Note

X in swingbolt part number denotes handnut material

1 = naval brass

5 = stainless steel

E = low profile stainless steel/brass composite