

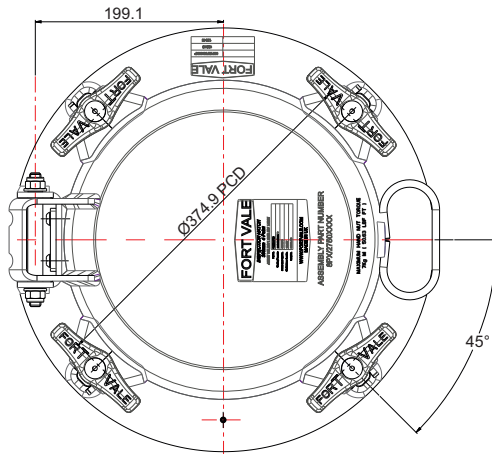
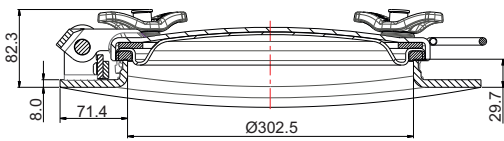


300mm Ultra Low Profile Inspection Hatch Assembly - 4 point fastening double skin cover. 8mm thick pressed neck/compensating ring profiled to suit tank radius range from 750 to 1220mm. Contact parts manufactured in 316 stainless steel. Stainless steel swingbolts with naval brass handnuts. Seal supplied separately.

**Options** - Stainless steel swingbolts with either stainless steel handnuts or low profile stainless steel/brass composite handnuts.

## Fitting Details

Example shown : 8PB/2750XXXP



## Specification

Weight	19.8 Kg *See Note
Design Pressure (MAWP)	4 Bar (58 PSI)
Test Pressure	6 Bar (87 PSI)
Design Temperature	-40°C to 200°C (-40°F to 392°F)

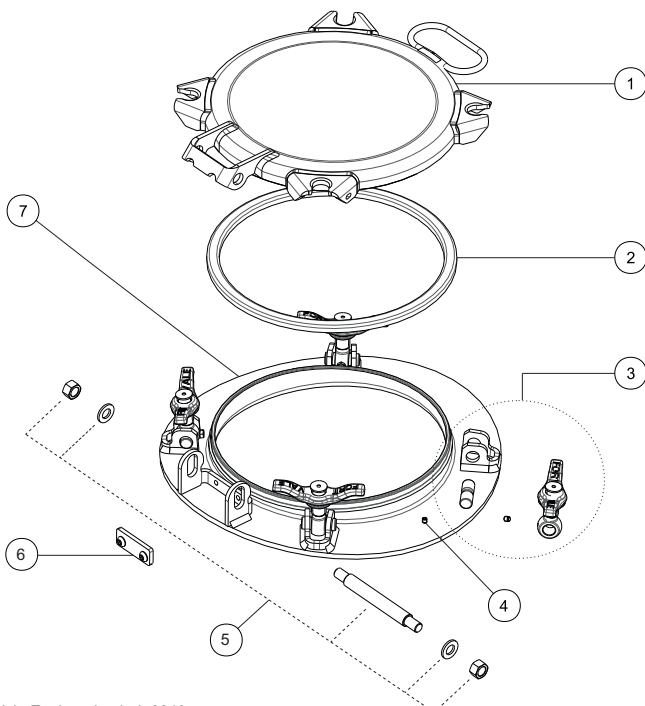
\*Note: Above data varies according to specification  
Manlid cover 703/0600P approved to BS EN14025

## Range

Part No.	Description
8PB/2750XXXP	Fitted with naval brass handnuts
8PB/2750XXXS	Fitted with stainless steel handnuts

XXX in part number above denotes the radius range:-  
**077** = 750 mm to 800 mm  
**082** = 800 mm to 850 mm  
**087** = 850 mm to 900 mm  
**092** = 900 mm to 950 mm  
**097** = 950 mm to 1005 mm  
**104** = 1005 mm to 1075 mm  
**111** = 1075 mm to 1145 mm  
**118** = 1145 mm to 1220 mm

## Parts drawing



Item	Description	Part No.
1	Cover	703/0600P
2	Seal	See DS/MAN028
3	Swingbolt assembly (4)	496/X260
4	Grubscrew	5111-009
5	Hinge pin assembly	600/1060
6	Hinge kit - 135° fixed	135B
7	Neck/compensating ring *See Note	63P/2750XXXP

\*Note: Part number varies according to specification

X in swingbolt part number denotes handnut material :  
**1** = naval brass  
**5** = stainless steel  
**E** = low profile stainless steel/brass composite